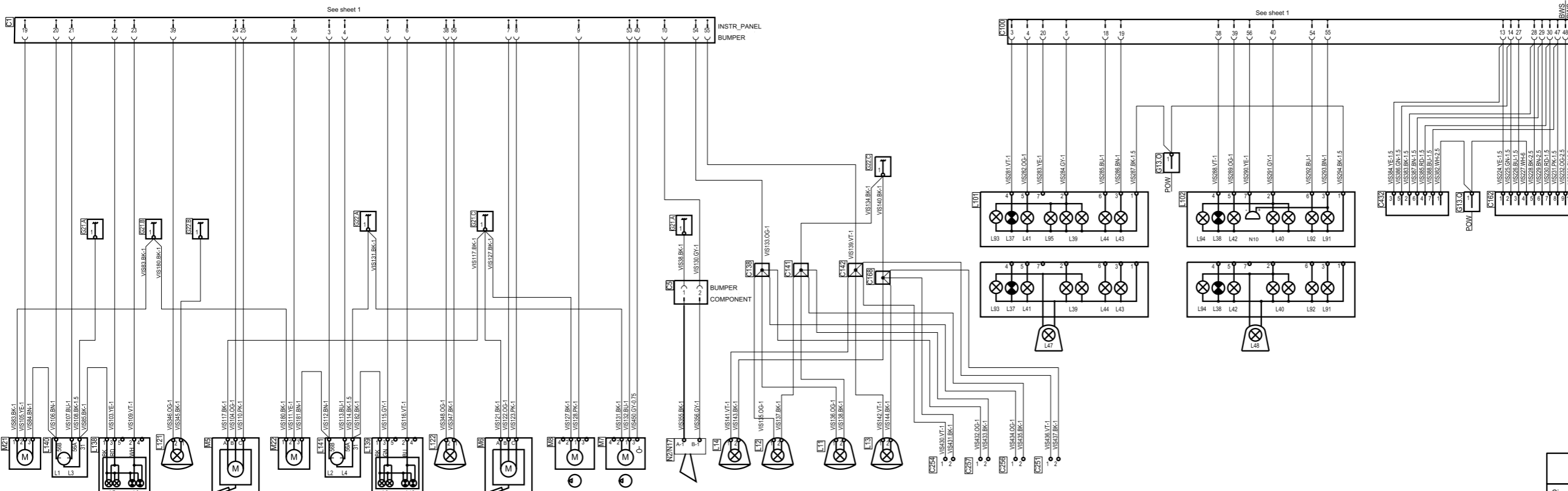


Color code of electric cables	Des.	Pos.	Description
Black	C1	C 8	Connector, 66-pole
Black	C3	F 6	Connector, 21-pole
Brown	C3	E 3	Connector, 21-pole
Red	C3	E 2	Connector, 21-pole
Orange	C3	E 2	Connector, 21-pole
Yellow	C5	B 5	Connector, 2-pole
Green	C11	E 7	Connector, 5-pole
Blue	C29	E 3	Connector 21-pole, Inst-Roof
White	C29	E 8	Connector 21-pole, Inst-Roof
White	C29	E 5	Connector 21-pole, Inst-Roof
White	C29	E 7	Connector 21-pole, Inst-Roof
White	C84	F 2	Connector, 21-pole
Pink	C84	F 3	Connector, 21-pole
	C84	F 5	Connector, 21-pole
	C139	C 3	Connector, 66-pole
	G117	D 7	Splice, sunvisor, VIS
	C138	B 5	Splice, bumper, VIS
	C140 A	D 8	Splice, sunvisor, VIS
	C140 B	D 8	Splice, sunvisor, VIS
	C141	B 5	Splice, sunvisor, VIS
	C142	B 5	Splice, sunvisor, VIS
	C162	B 1	Socket, 15-pole
	C168	B 5	Splice, bumper, VIS
	C207	D 3	Connector, 5-pole, VIS
	C208	D 2	Connector, 5-pole, VIS
	C251	A 4	Cut cable, VIS
	C264	A 4	Cut cable, VIS
	C236	A 4	Cut cable, VIS
	C287	A 4	Cut cable, VIS
	C325	D 4	Connector, 5-pole
	C438	E 8	Splice, bumper, VIS
	C432	B 2	Socket, 7-pole, 24N
	G9	F 2	Joint connector, ground
	G9	F 3	Joint connector, ground
	G9	F 8	Joint connector, ground
	G10 F	E 4	Ground, roof
	G10 F	E 3	Ground, roof
	G10 Q	B 3	Ground, topside wall
	G10 Q	B 2	Ground, topside wall
	G16 A	E 7	Ground, roof
	G21 A	B 5	Ground, cab front
	G21 B	B 8	Ground, cab front
	G21 C	B 8	Ground, cab front
	G21 C	B 6	Ground, cab front
	G22 A	B 7	Ground, cab front
	G22 C	C 5	Ground, cab front
	L11	A 5	Distance light
	L12	A 5	Distance light
	L13	A 4	Front fog light
	L14	A 5	Front fog light
	L15	D 3	Work light
	L16	D 5	Work light
	L16	D 3	Work light
	L17	D 4	Rotating beacon
	L45	C 8	End out marker light
	L46	C 7	End out marker light
	L51	D 2	Signal lamp
	L53	C 8	Distance light
	L54	C 8	Distance light
	L65	D 2	Rotating beacon
	L84	C 6	ID-light
	L84	C 7	ID-light
	L85	C 6	ID-light
	L85	C 7	ID-light
	L86	C 6	ID-light
	L86	C 7	ID-light
	L100	D 2	Rotating beacon
	L101	B 3	Rear combination lamp, left
	L102	B 3	Rear combination lamp, right
	L121	A 6	Category vis lamp
	L122	A 6	Category vis lamp
	L138	A 8	DirPos lamp, front LH
	L139	A 7	DirPos lamp, front RH
	L140	A 8	Headlamp, LH
	L141	A 7	Headlamp, RH
	L142	D 4	Rotating beacon
	M5	A 7	Motor, head lamp wiper
	M6	A 6	Motor, head lamp wiper, right
	M7	A 6	Motor, windscreen washer
	M8	A 6	Motor, headlamp washer
	M21	A 8	Motor, light level control
	M22	A 7	Motor, light level control
	N21 H 1	A 5	Signal horn
	S59	F 3	Switch, rotating beacon
	S60	F 2	Switch, roof sign lighting
	S138	F 6	Switch, ID-lamps



Valid for headlamp type H4.  
For Gasdischarge lamp see sheet 3.

Valid for all roof heights except:  
High (See sheet 6)

S-order equipment connected:  
C: dgm BOL

**SCANIA**

Circuit Diagram:

**VIS**

Drawing No.: **1428523-2-26**  
Sheet-Rev:

N.B. The copyright and ownership of this drawing including associated computer data are and will remain ours. They must not be copied, used or brought to the attention of any third party without prior permission (C) Scania, Sweden