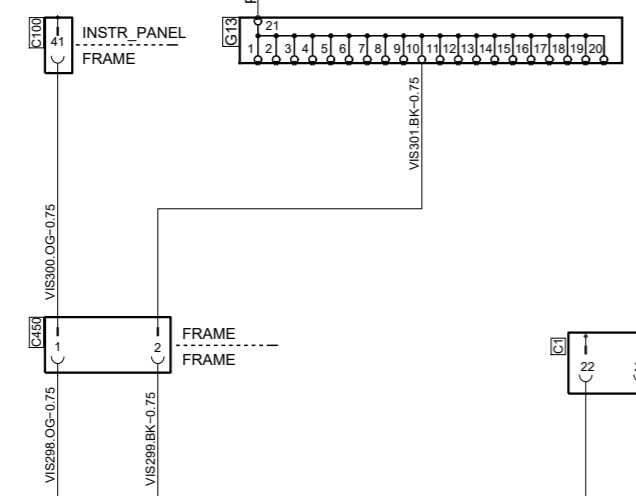
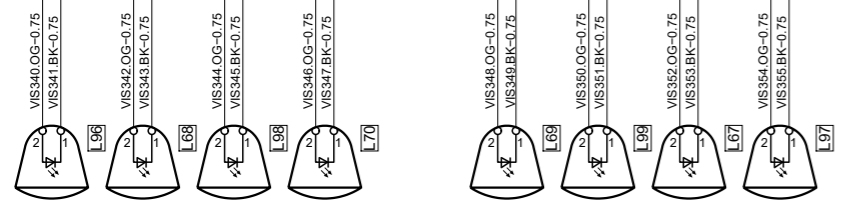
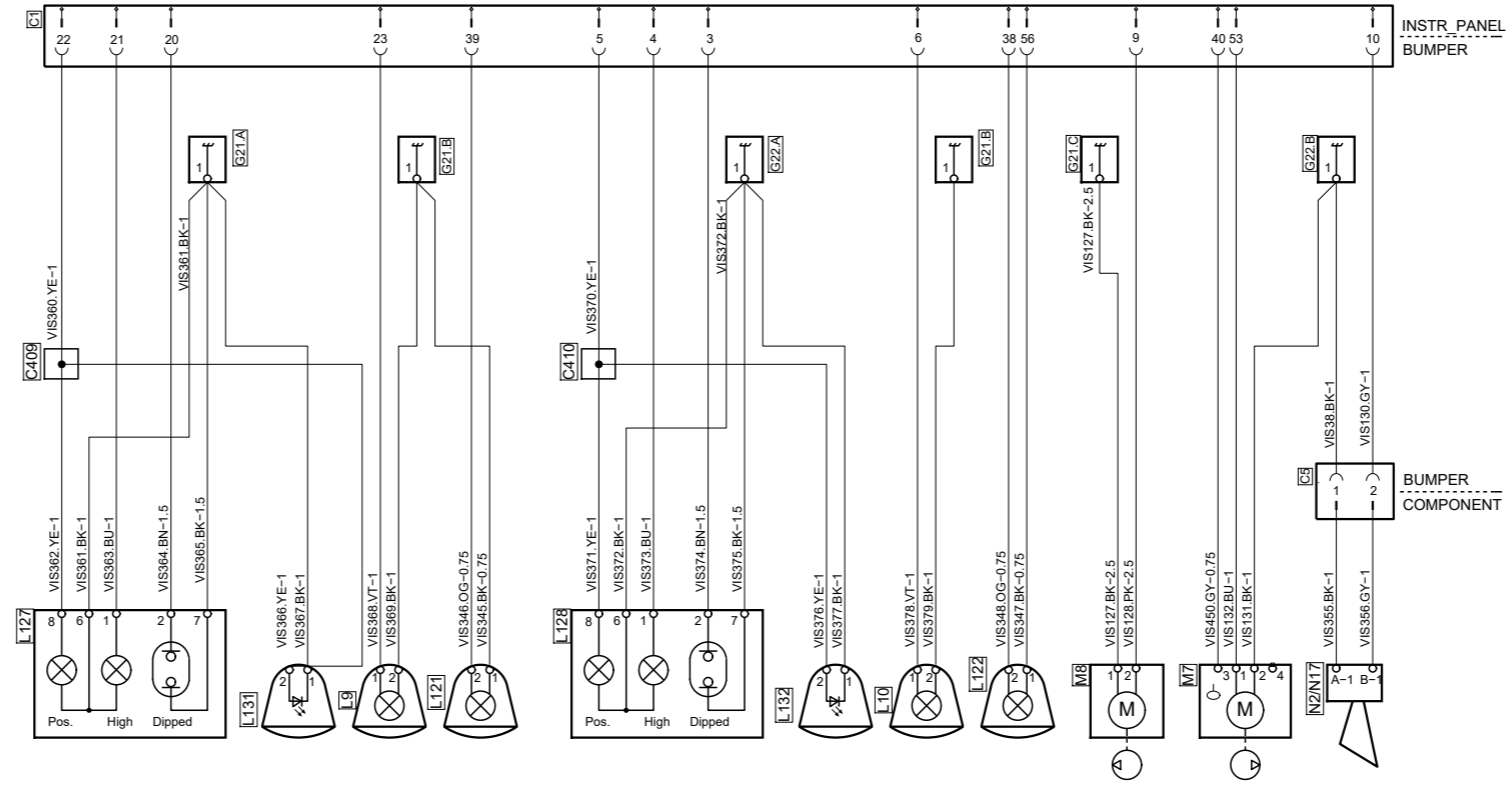


Code	Colour	Des.	Pos.	Description
C1		C 4		Connector, 66-pole
C5		B 2		Connector, 2-pole
BK	Black	C100		Connector, 66-pole
BN	Brown	C110	B 5	Splice, frame, VIS
RD	Red	C111	C 5	Splice, frame, VIS
OG	Orange	C409	C 4	Splice, bumper, VIS
YE	Yellow	C410	C 3	Splice, bumper, VIS
GN	Green	C450	C 5	Connector, 2-pole, VIS
BU	Blue	G13	D 4	Ground, torpedo wall
VT	Violet	G21.A	C 4	Ground, cab front
GY	Grey	G21.B	C 3	Ground, cab front
WH	White	G21.C	C 2	Ground, cab front
PK	Pink	G22.A	C 3	Ground, cab front
		G22.B	C 2	Ground, cab front
L9		B 4		Dirac ind light, front
L10		B 3		Dirac ind light, front
L67		B 5		Side marker lamp
L68		B 6		Side marker lamp
L69		B 5		Side marker lamp
L70		B 6		Side marker lamp
L96		B 6		Side marker lamp
L97		B 5		Side marker lamp
L98		B 6		Side marker lamp
L99		B 5		Side marker lamp
L121		B 4		Category six lamp
L122		B 3		Category six lamp
L127		B 4		Gasdischarge lamp, left
L128		B 3		Gasdischarge lamp, right
L131		B 4		Gasdischarge lamp, side marker, left
L132		B 3		Gasdischarge lamp, side marker, right
M7		B 2		Motor, windscreen washer
M8		B 2		Motor, headlamp washer
N2/N17		B 2		Signal horn

See sheet 1



See sheet 1



Valid for Gasdischarge lamp



Circuit Diagram:

VIS

Drawing No.-
Sheet-Rev: **1428523-3-22**

N.B. The copyright and ownership of this drawing including associated computer data are and will remain ours. They must not be copied, used or brought to the attention of any third party without prior permission (C) Scania, Sweden