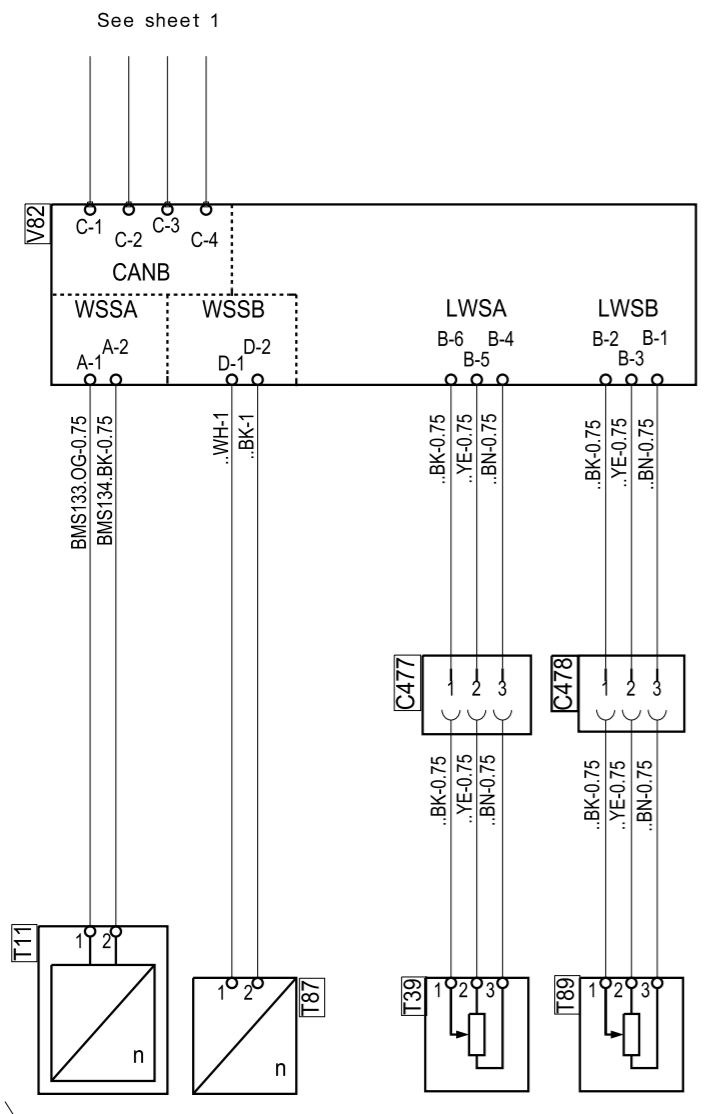


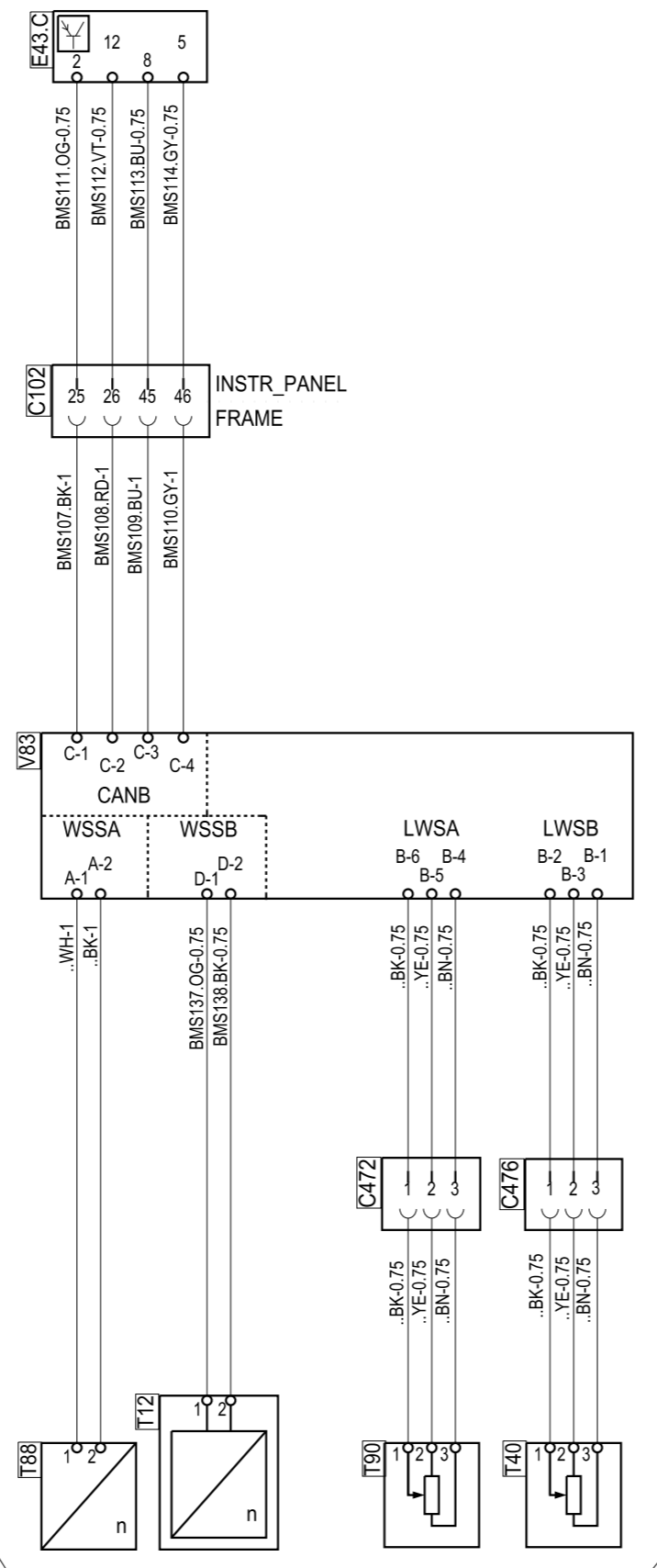
| Des.  | Pos. | Description                    |
|-------|------|--------------------------------|
| C102  | E 6  | Connector, 66-pole             |
| C472  | C 5  | Connector, 3-pole              |
| C476  | C 4  | Connector, 3-pole              |
| C477  | C 7  | Connector, 3-pole              |
| C478  | C 6  | Connector, 3-pole              |
| E43.C | F 5  | Control unit, EBS              |
| T11   | B 8  | Sensor speed, Front LH         |
| T12   | B 5  | Sensor speed, Front RH         |
| T39   | B 7  | Sensor lining wear, Front LH   |
| T40   | B 4  | Sensor lining wear, Front RH   |
| T87   | B 7  | Sensor speed, LH               |
| T88   | B 5  | Sensor speed, RH               |
| T89   | B 6  | Sensor, lining wear, LH        |
| T90   | B 4  | Sensor, lining wear, RH        |
| V82   | D 6  | Pressure control module, Front |
| V83   | D 4  | Pressure control module, Add2  |

**Colour code of electric cables**

| Code | Colour |
|------|--------|
| BK   | Black  |
| BN   | Brown  |
| RD   | Red    |
| OG   | Orange |
| YE   | Yellow |
| GN   | Green  |
| BU   | Blue   |
| VT   | Violet |
| GY   | Grey   |
| WH   | White  |
| PK   | Pink   |

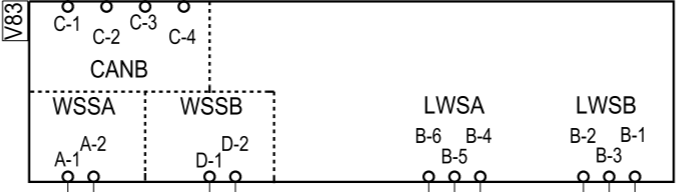
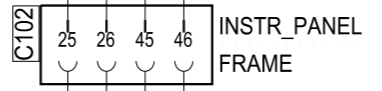


First and second front axle LH side



First and second front axle RH side

Valid for two front axles



STD 4247

**SCANIA**

Circuit Diagram: **BMS EBS**

Drawing No.: 1452080-7-12  
Sheet-Rev:

N.B. The copyright and ownership of this drawing including associated computer data are and will remain ours. They must not be copied, used or brought to the attention of any third party without prior permission (C) Scania, Sweden