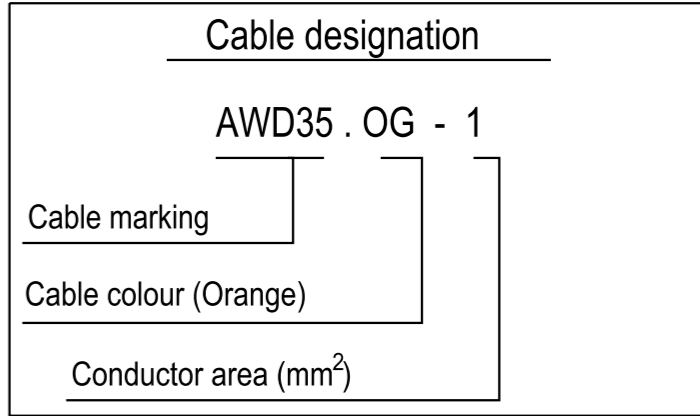


| Des. | Pos. | Description |
|------|------|--------------------|
| C100 | B 2 | Connector, 66-pole |
| C469 | A 2 | Connector, 4-pole |



STD
4247

| Colour code of electric cables | |
|--------------------------------|--------|
| Code | Colour |
| BK | Black |
| BN | Brown |
| RD | Red |
| OG | Orange |
| YE | Yellow |
| GN | Green |
| BU | Blue |
| VT | Violet |
| GY | Grey |
| WH | White |
| PK | Pink |

Applies for
Gearbox GZ

SCANIA

Circuit Diagram: TCO

Drawing No.- 1852759-3-3
Sheet-Rev:

N.B. The copyright and ownership of this drawing including associated computer data are and will remain ours. They must not be copied, used or brought to the attention of any third party without prior permission (C) Scania, Sweden