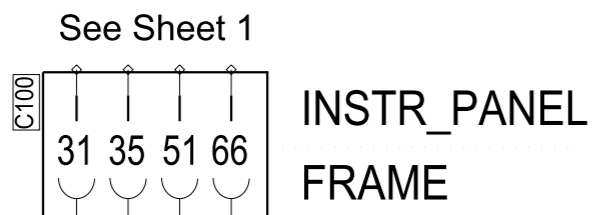
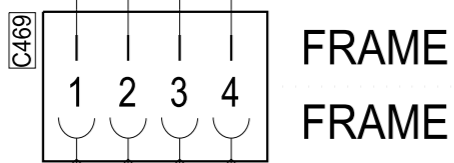


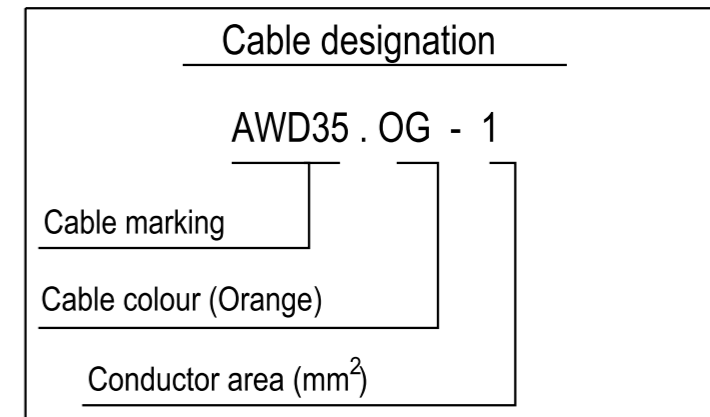
Des.	Pos.	Description
C100	B 2	Connector, 66-pole
C469	A 2	Connector, 4-pole



TCO314.RD-1
TCO324.BK-1
TCO334.BU-1
TCO344.GY-1



See GMS



STD
4247

Colour code of electric cables	
Code	Colour
BK	Black
BN	Brown
RD	Red
OG	Orange
YE	Yellow
GN	Green
BU	Blue
VT	Violet
GY	Grey
WH	White
PK	Pink

Applies for
Gearbox GZ

SCANIA

Circuit Diagram: TCO

Drawing No.- 1852759-3-4
Sheet-Rev:

N.B. The copyright and ownership of this drawing including associated computer data are and will remain ours. They must not be copied, used or brought to the attention of any third party without prior permission (C) Scania, Sweden

A

A