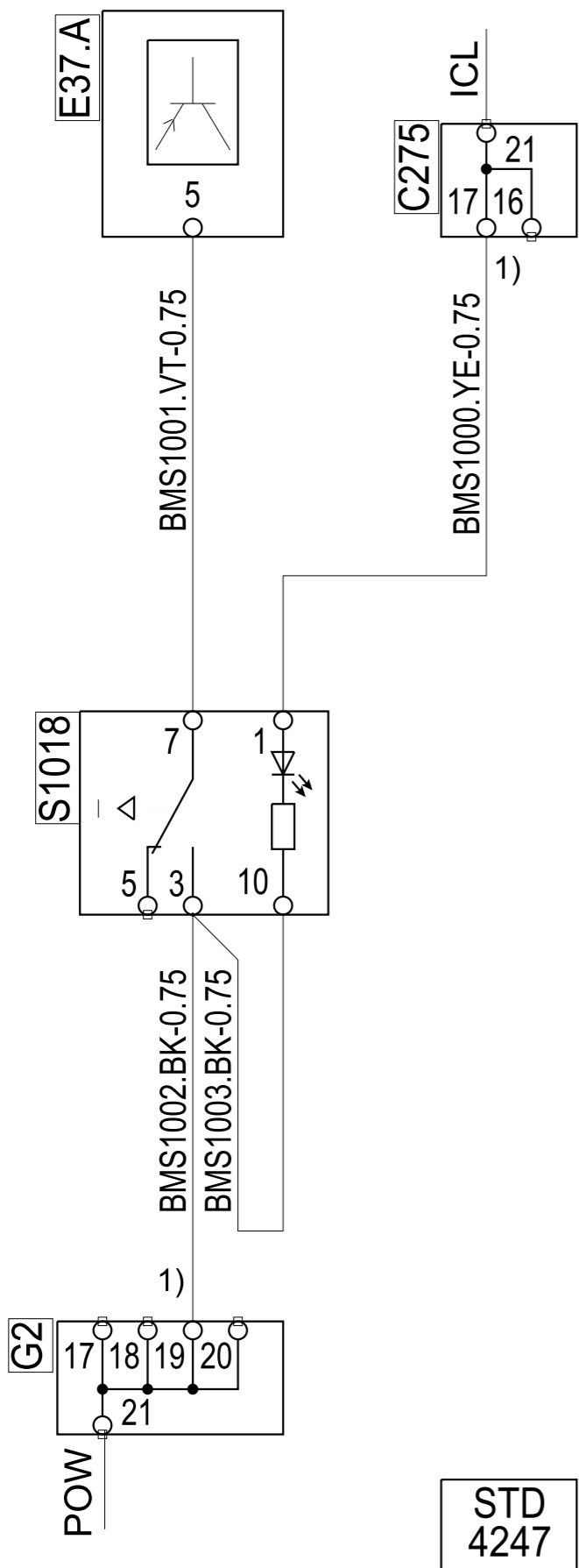


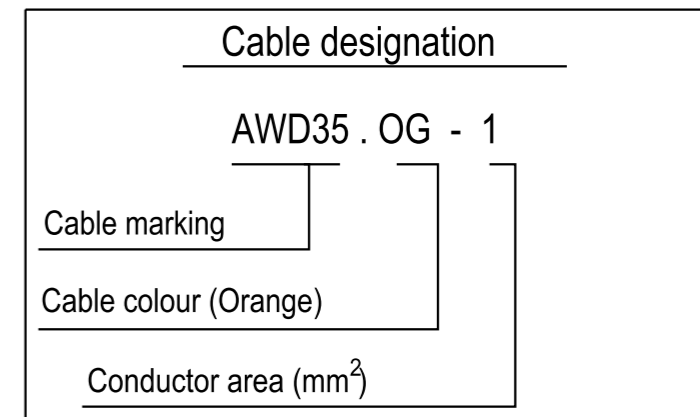
2

1



| Colour code of electric cables | |
|--------------------------------|--------|
| Code | Colour |
| BK | Black |
| BN | Brown |
| RD | Red |
| OG | Orange |
| YE | Yellow |
| GN | Green |
| BU | Blue |
| VT | Violet |
| GY | Grey |
| WH | White |
| PK | Pink |

| Des. | Pos. | Description |
|-------|------|------------------------------|
| C275 | B 2 | Joint connector, instr light |
| E37.A | B 2 | Control unit, ABS |
| G2 | A 2 | Joint connector, ground |
| S1018 | A 2 | Switch, BMS ABS off road |



A

A

2

1

1) If cavity is used for other equipment, the cable is connected to other cavity in same connector.

STD
4247

| | |
|---|-------------|
| | |
| Circuit Diagram: BMS ABS off road | |
| Drawing No.- Sheet-Rev: | 1889157-1-1 |
| <small>N.B. The copyright and ownership of this drawing including associated computer data are and will remain ours. They must not be copied, used or brought to the attention of any third party without prior permission (C) Scania, Sweden</small> | |