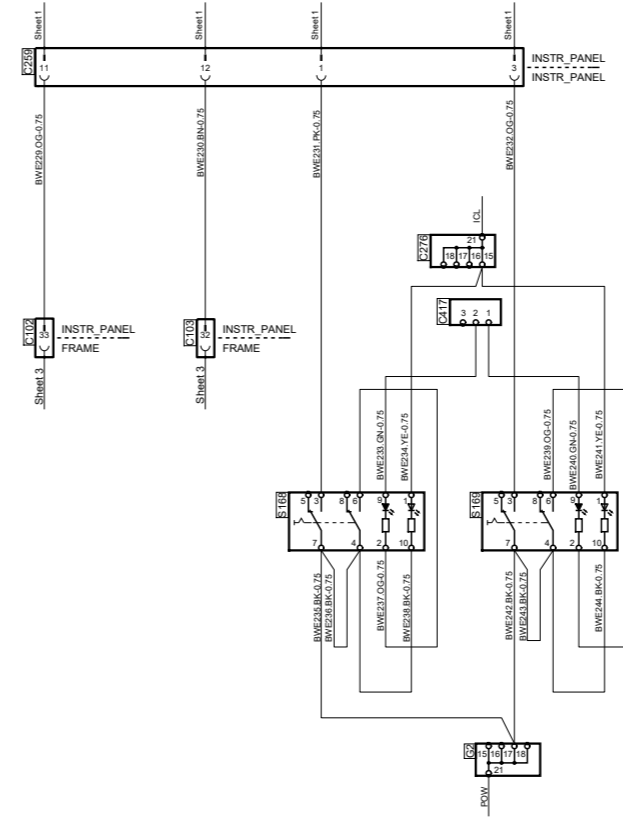


PTO AWD / Split shaft

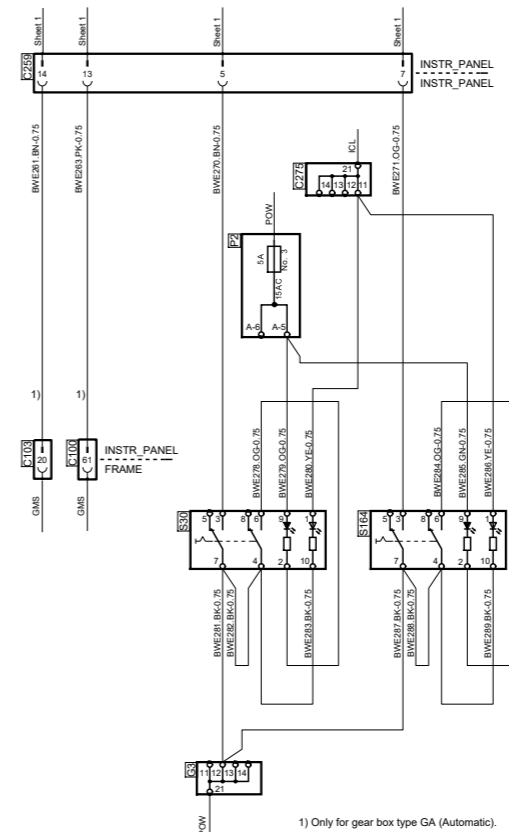


Use 1) when EG without or 1EG or 2EG and ED without or 1ED
 Use 2) when 2ED and EK
 Use 3) when 2ED and no EK

PTO ED

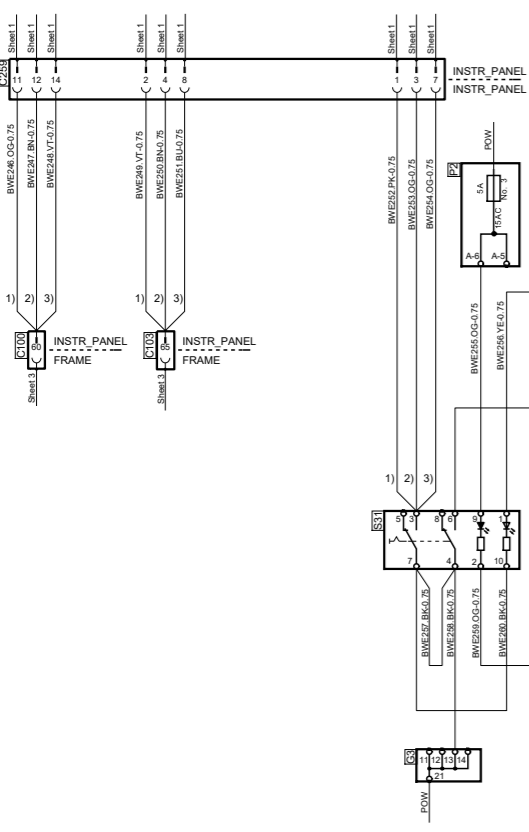


PTO EG



1) Only for gear box type GA (Automatic).

PTO EK



Use 1) when 2EG and SS or AWD
 Use 2) when 2EG
 Use 3) when EG without or 1EG

Cable designation		Des.	Pos.	Description
AWD35 OG - 1		C100	B 3	Connector, 66-pole
Cable marking		C100	B 8	Connector, 66-pole
Cable colour (Orange)		C100	E 8	Connector, 66-pole
Conductor area (mm ²)		C102	E 4	Connector, 66-pole
		C103	B 3	Connector, 66-pole
		C103	B 8	Connector, 66-pole
		C103	E 4	Connector, 66-pole
		C103	E 8	Connector, 66-pole
		C259	F 8	Connector, 21-pole
		C259	F 4	Connector, 21-pole
		C259	C 8	Connector, 21-pole
		C259	C 4	Connector, 21-pole
		C261	F 7	Connector, 21-pole
		C275	C 3	Joint connector, instr light
		C276	E 3	Joint connector, instr light
		C276	F 6	Joint connector, instr light
		C417	E 3	Cut cable
		G2	D 3	Joint connector, ground
		G2	D 7	Joint connector, ground
		G3	A 3	Joint connector, ground
		G3	A 7	Joint connector, ground
		P2	B 3	Central electric unit
		P2	C 7	Central electric unit
		S30	A 3	Switch, PTO EG1
		S31	A 7	Switch, PTO EK
		S184	A 2	Switch, PTO EG2
		S188	D 3	Switch, PTO ED
		S189	D 3	Switch, PTO ED2
		S170/S171	D 7	Switch, PTO AWD / Split shaft



Circuit Diagram:

BWE

Drawing No.- 2038974-2-5
 Sheet-Rev:

N.B. The copyright and ownership of this drawing including associated computer data are and will remain ours. They must not be copied, used or brought to the attention of any third party without prior permission (C) Scania, Sweden