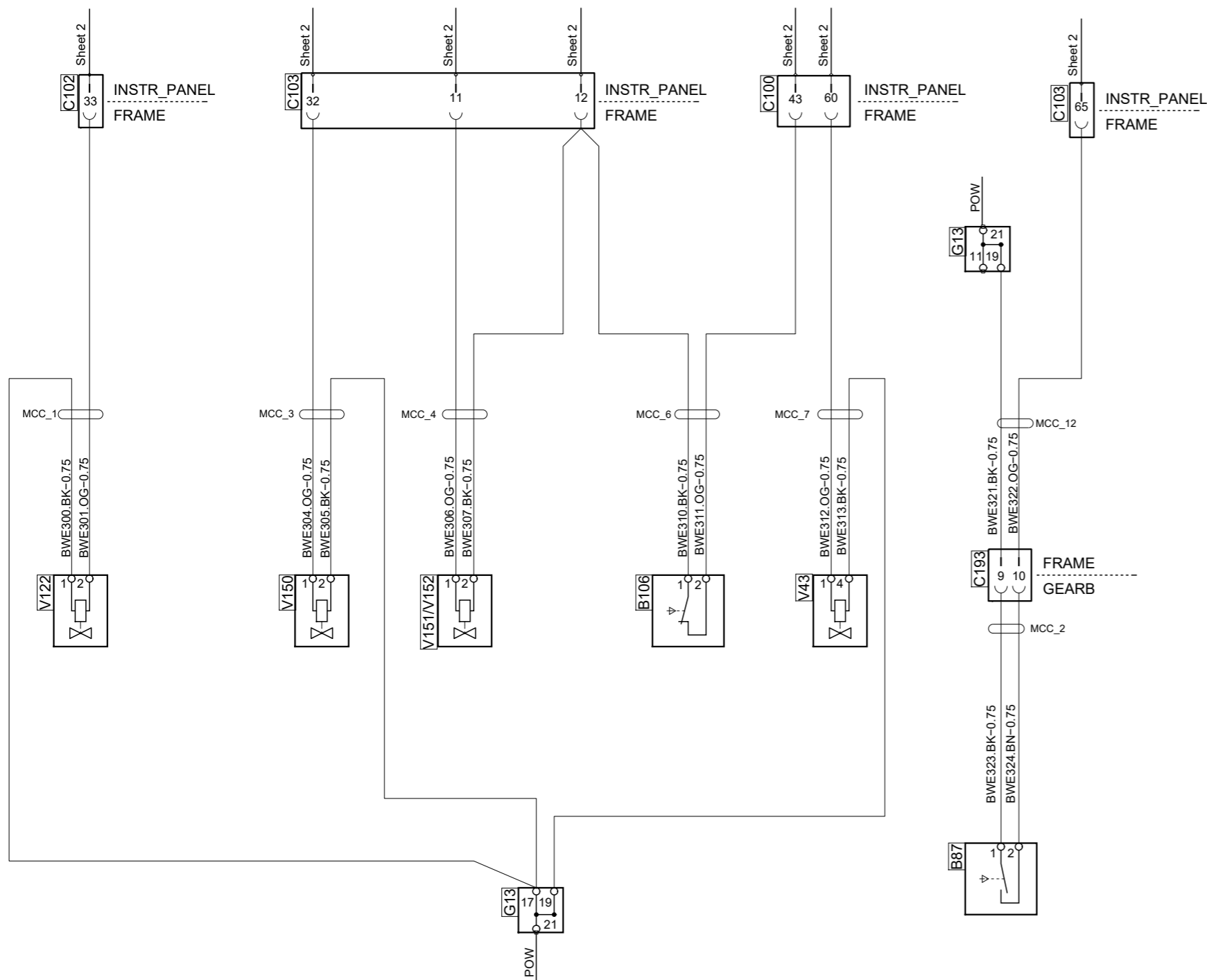


Colour code of electric cables	
Code	Colour
BK	Black
BN	Brown
RD	Red
OG	Orange
YE	Yellow
GN	Green
BU	Blue
VT	Violet
GY	Grey
WH	White
PK	Pink

Des.	Pos.	Description
B87	A 2	Switch, acknowledge PTO EK
B106	B 3	Switch, acknowledge PTO AWD / Split shaft
C100	C 3	Connector, 66-pole
C102	C 4	Connector, 66-pole
C103	C 2	Connector, 66-pole
C103	C 4	Connector, 66-pole
C193	B 2	Connector, 16-pole
G13	B 2	Ground, torpedo wall
G13	A 3	Ground, torpedo wall
V43	B 3	Solenoid valve, PTO EK
V122	B 4	Solenoid valve, PTO ED
V150	B 4	Solenoid valve, PTO ED2
V151/V152	B 3	Solenoid valve, PTO AWD / Split shaft



Circuit Diagram:

**BWE**

Drawing No.-  
Sheet-Rev: 2038974-3-4

N.B. The copyright and ownership of this drawing including associated computer data are and will remain ours. They must not be copied, used or brought to the attention of any third party without prior permission (C) Scania, Sweden