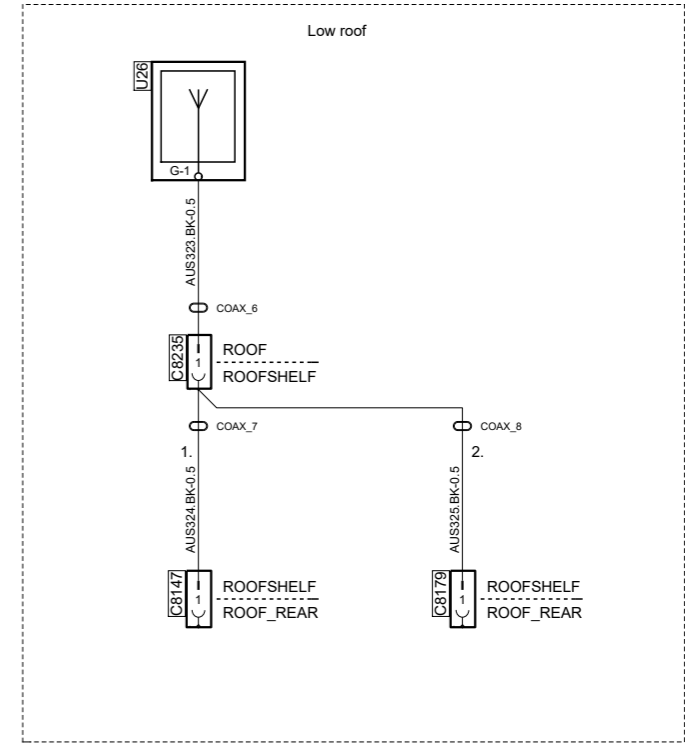
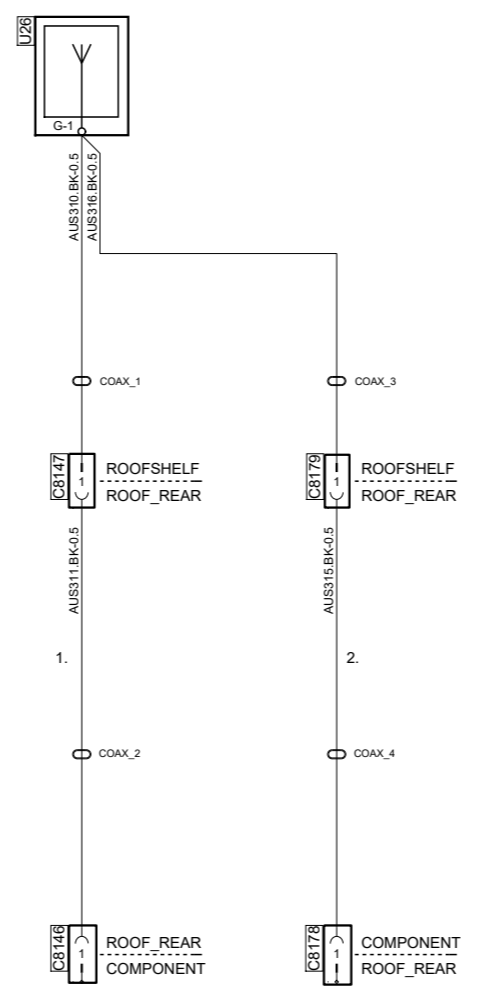
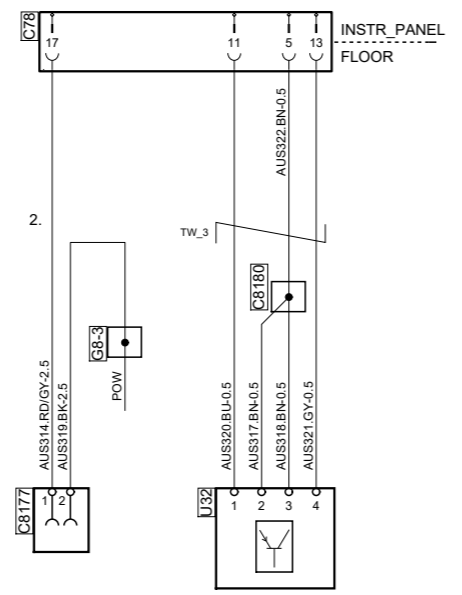
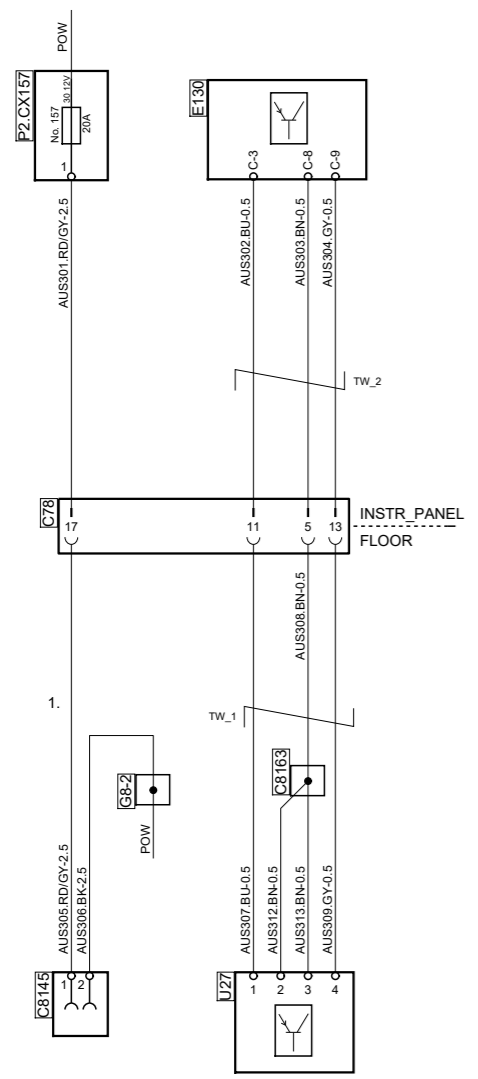


Code	Colour	Des.	Pos.	Description
C78		D 7		Connector 21-pole IP-Floor
C8145	B 8			Socket, 12V outlet, TV
C8146	B 4			Connector, 1-pole, TV
BN	Brown	C8147	D 4	Connector, 1-pole
RD	Red	C8163	C 7	Splice, AUS
OG	Orange	C8177	B 6	Socket, 12V outlet, TV
YE	Yellow	C8178	B 3	Connector, 1-pole
GN	Green	C8179	D 3	Connector, 1-pole
BU	Blue	C8180	C 5	Connector, 1-pole
VT	Violet	C8235	D 2	Connector, 1-pole
GY	Grey	E130	E 5	Control unit, Infotainment system
WH	White	E130	E 7	Control unit, Infotainment system
PK	Pink	G8-2	C 7	Splice, ground
		G8-3	C 6	Splice, ground
		P2.CX157	E 6	Fuse socket, CEU
		P2.CX157	E 8	Fuse socket, CEU
		U26	E 3	Aerial, FM/AM, DAB, MOB, GPS
		U27	B 7	Audio input, AUX, TV
		U32	B 5	Audio input, AUX, TV



TV Prep.

- Notes:
1. TV Prep. driver side
  2. TV Prep. pass. side



Circuit Diagram:

AUS

Drawing No.- 2086546-4-9  
Sheet-Rev:

N.B. The copyright and ownership of this drawing including associated computer data are and will remain ours. They must not be copied, used or brought to the attention of any third party without prior permission (C) Scania, Sweden