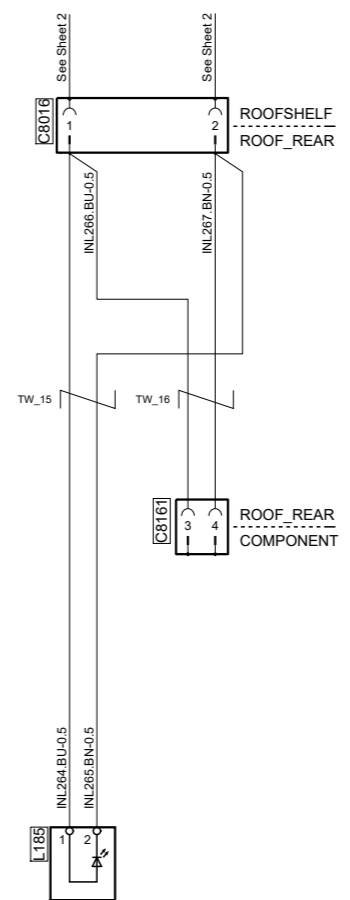
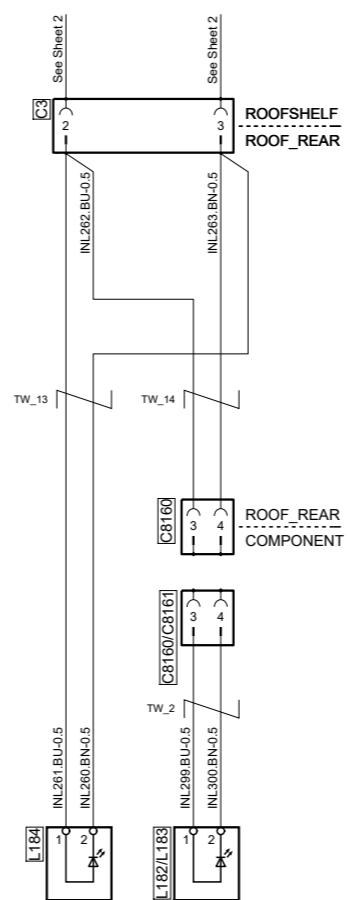
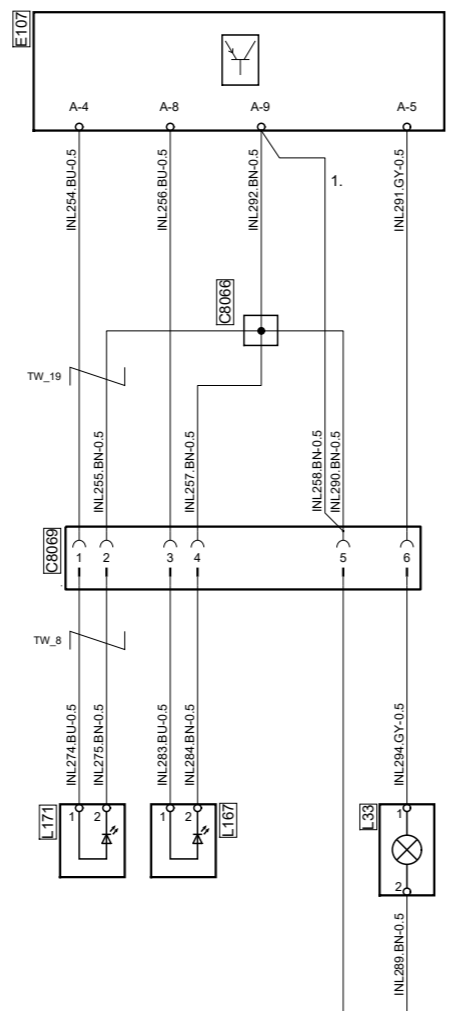
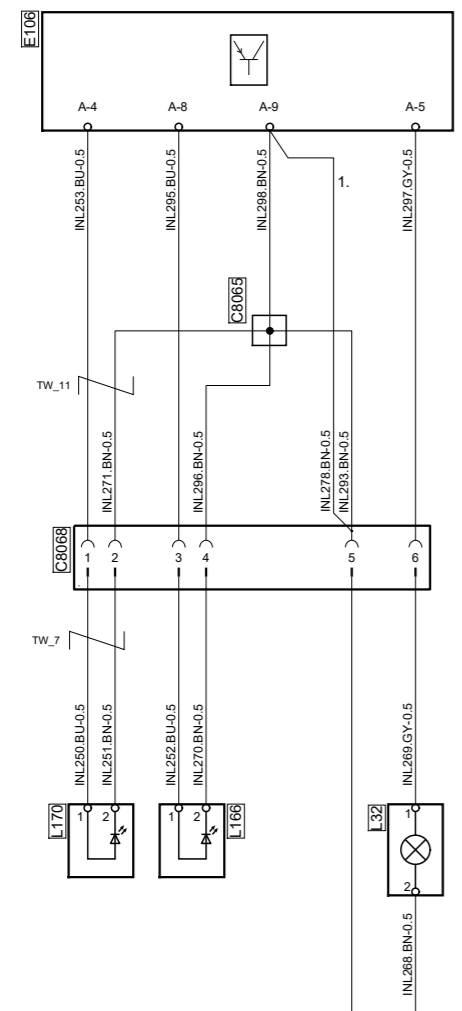


Colour code of electric cables	Code	Colour	Des.	Pos.	Description
C3	C8016	E 4	Connector, 21-pole		
BK	C8065	D 7	Splice		
BN	C8066	D 6	Splice		
RD	C8068	D 7	Connector, 6-pole		
OG	C8069	D 5	Connector, 6-pole		
YE	C8160	D 4	Connector, 9-pole		
GN	C8160/C8161	C 4	Connector, 9-pole		
BU	C8161	D 3	Connector, 9-pole		
VT	E106	E 6	Control unit, DCS, driver		
GY	E107	E 5	Control unit, DCS, passenger		
WH	L32	C 7	Lamp, boarding step, driver		
PK	L33	C 5	Lamp, boarding step, passenger		
	L166	C 7	Lamp, red warning		
	L167	C 6	Lamp, red warning		
	L170	C 7	Lamp, door storage		
	L171	C 6	Lamp, door storage		
	L182/L183	C 4	open storage above door, left or right		
	L184	C 4	Lamp, rear side window, left		
	L185	C 3	Lamp, rear side window, right		



Note:  
1. Without Background light

**SCANIA**

Circuit Diagram:

**INL**

Drawing No.-  
Sheet-Rev: **2125404-3-12**

N.B. The copyright and ownership of this drawing including associated computer data are and will remain ours. They must not be copied, used or brought to the attention of any third party without prior permission (C) Scania, Sweden