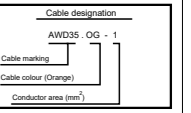
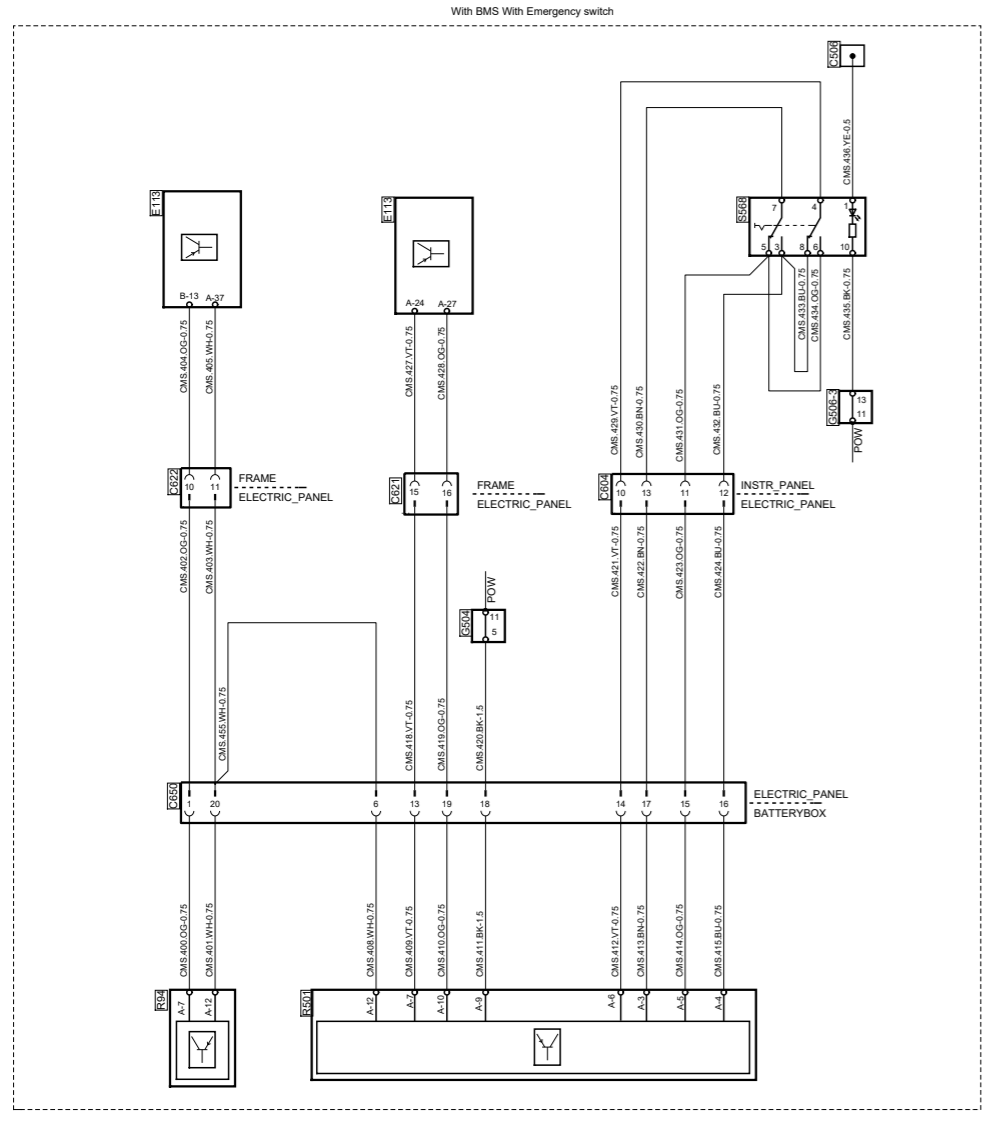
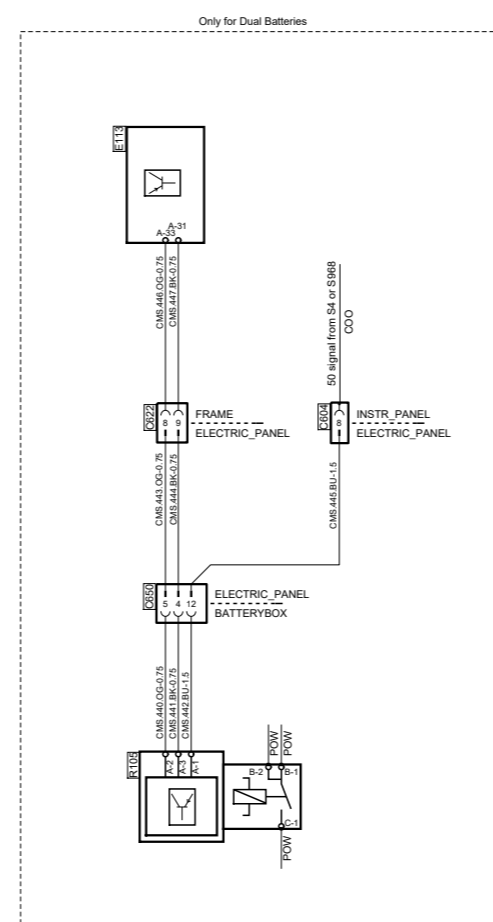
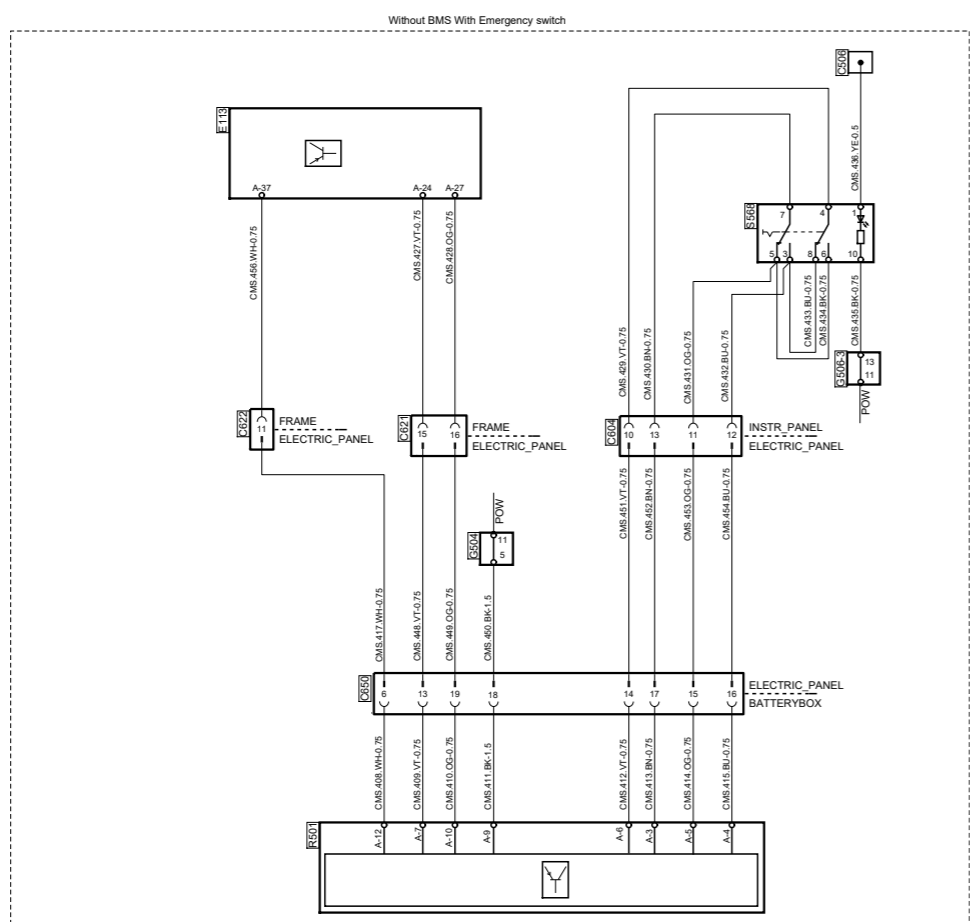
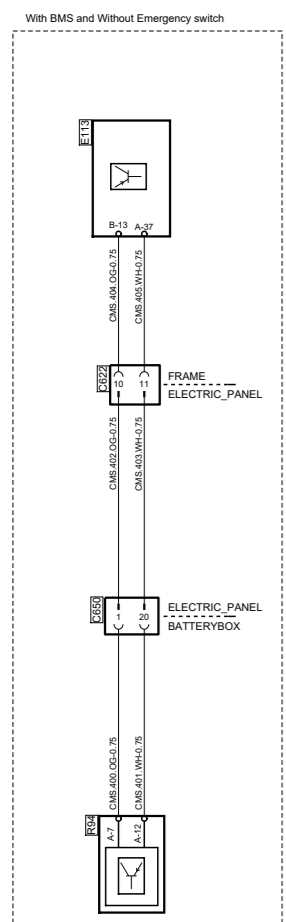


Des.	Pos.	Description
C506	C 5	Splice, Instrument light
C604	B 5	Connector, 25-pole Elec. pan/Instr. pan.
C621	B 6	Connector, 36-pole
C622	B 8	Connector, 25-pole
C650	A 8	Connector, 25-Pole Elec. Pan / Batt Comp.
E113	C 8	Control unit, CMS
G504	E 7	Ground, Join connector 21-Pole Electric Panel
G506-3	E 6	Ground, Join connector 21-Pole Instrument Panel
R94	A 8	Relay, ADR, battery switch
R105	D 5	Relay, starter battery
R501	A 5	Relay, Steering Battery Master Switch
S588	C 5	Switch, Emergency Switch (ECE36)



Code	Colour
SK	Black
BN	Brown
RD	Red
OG	Orange
YE	Yellow
GN	Green
BU	Blue
VT	Violet
GY	Grey
WS	White
PK	Pink



Circuit Diagram:

CMS

Drawing No.- 3081362-4-3
 Sheet-Rev.

N.B. The copyright and ownership of this drawing including associated computer data are and will remain ours. They must not be copied, used or brought to the attention of any third party without prior permission (C) Scania, Sweden