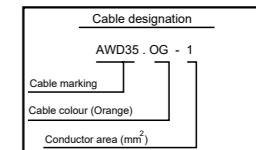
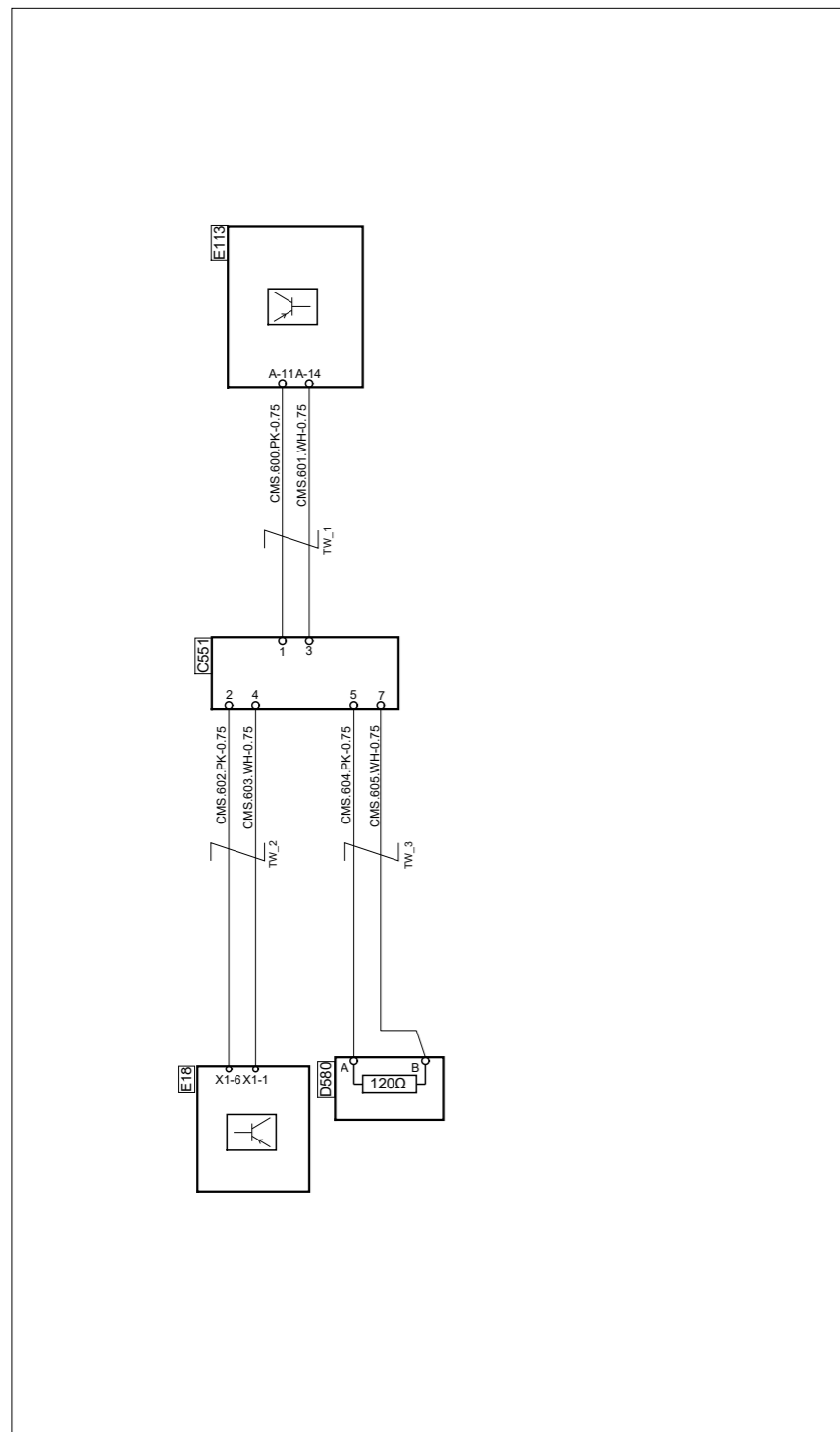


Des.	Pos.	Description
C551	C 7	Connector, CMS Sub CAN
C621	A 5	Connector, 36-pole
C681	A 5	Splice, 15 Wake up
D580	B 7	Resistor, Termination 120 Ohm
E18	B 7	Control unit, SMS
E113	D 7	Control unit, CMS
F570	C 4	Main Fuse EHS
G502	C 5	Grounding Battery's to Frame
G505	A 4	Ground, Join connector 21-Pole Electric Panel
M62	B 5	Motor, electrohydraulic steering pump

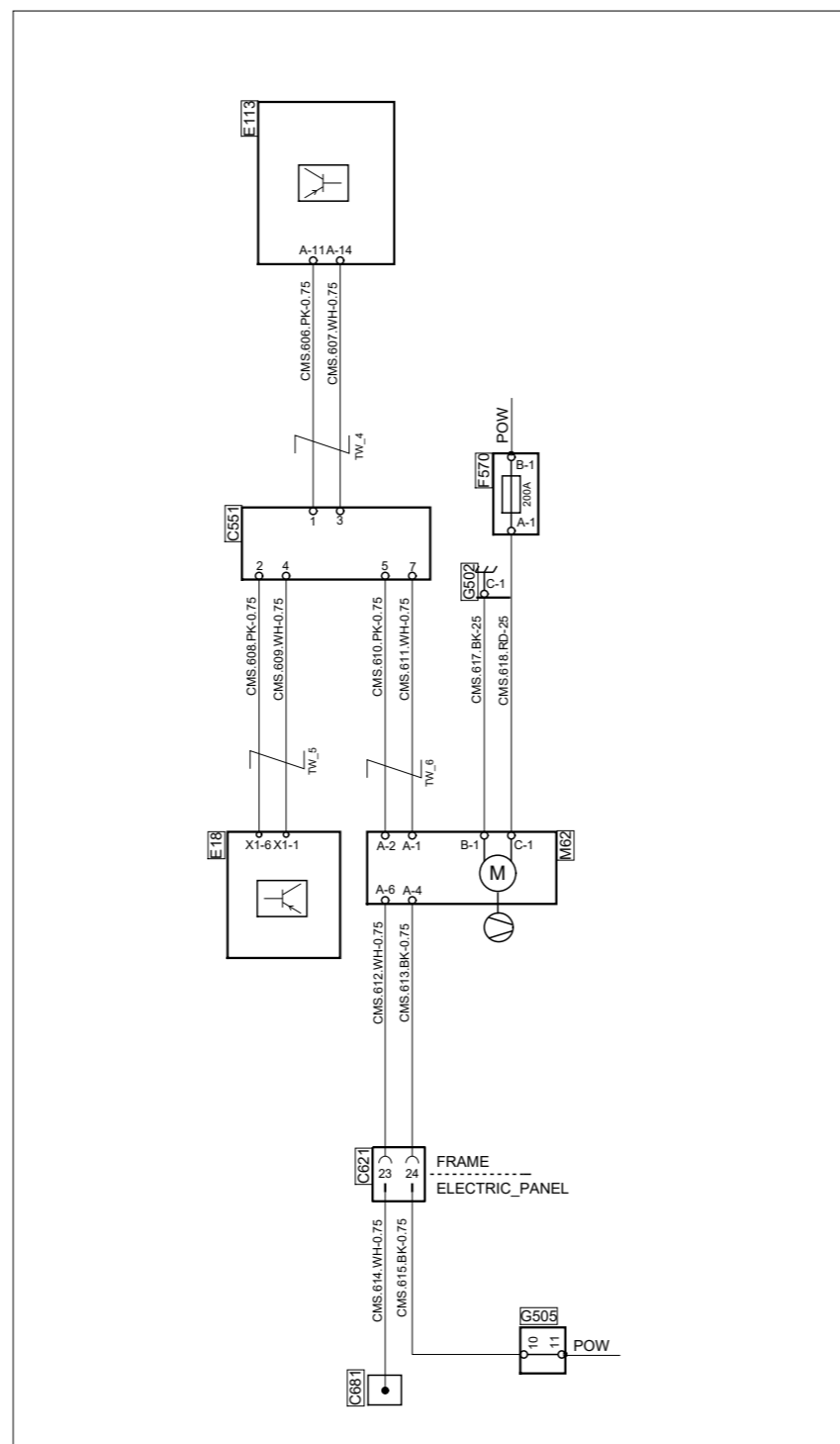


Code	Colour
BK	Black
BN	Brown
RD	Red
OG	Orange
YE	Yellow
GN	Green
BU	Blue
VT	Violet
GY	Grey
WH	White
PK	Pink

Without EHS



With EHS



Circuit Diagram:

CMS

Drawing No.- 3081362-6-1
Sheet-Rev:

N.B. The copyright and ownership of this drawing including associated computer data are and will remain ours. They must not be copied, used or brought to the attention of any third party without prior permission (C) Scania, Sweden