

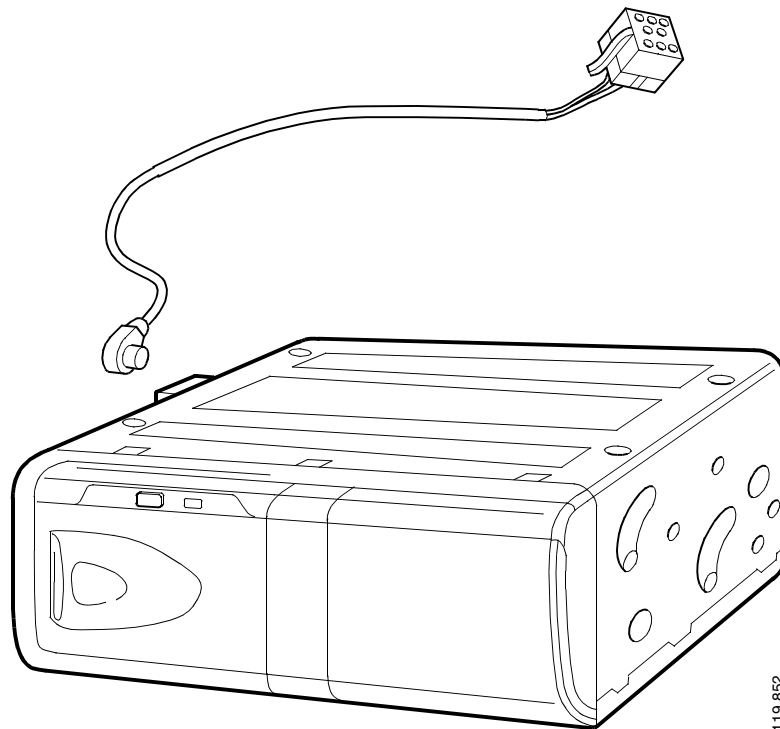
SCANIA

19:02-08

Issue 1 **en**

CD changer

Work description



119 862

CD changer

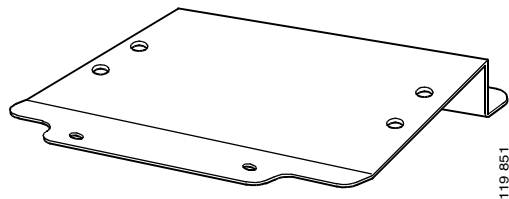
General

A CD changer is available as an original Scania accessory. The solutions presented in this document are suggested locations in some common cab types. If you want another location or when fitting in a cab type that is not covered by this document, always ensure that the CD changer is located and secured properly.

The location of the CD changer depends on other equipment and specifications for the vehicle, and the individual requirements of the driver.

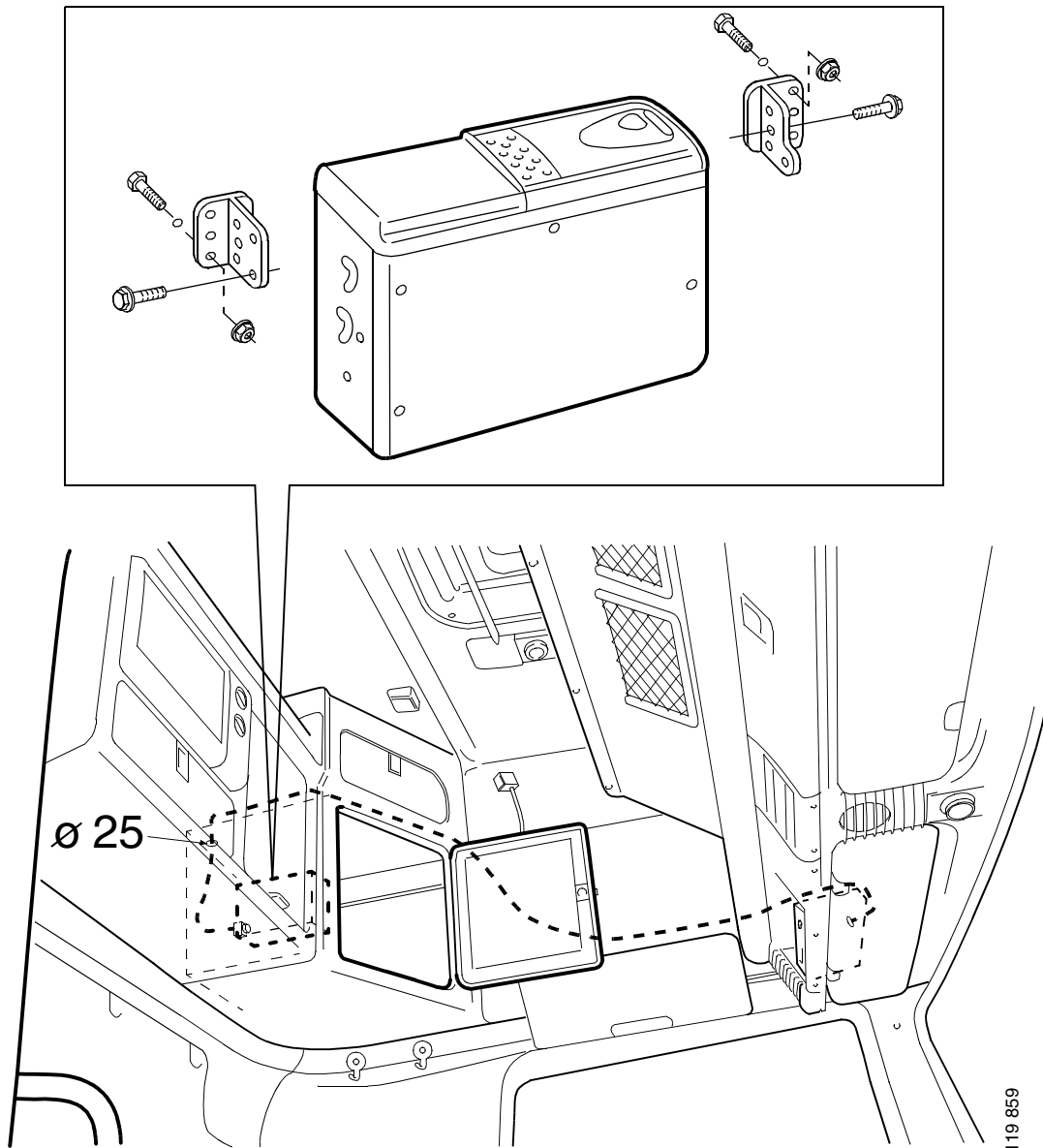
Work description

- The unit must be fitted correctly; horizontal, vertical, angled 45 degrees or suspended.
- To fit the CD changer horizontally in the overhead locker, a mounting plate should be used. The mounting plate, part number: 1450955 is designed for the Scania original accessory CD changer.
- For other recommendations, see the enclosed instructions from the manufacturer.

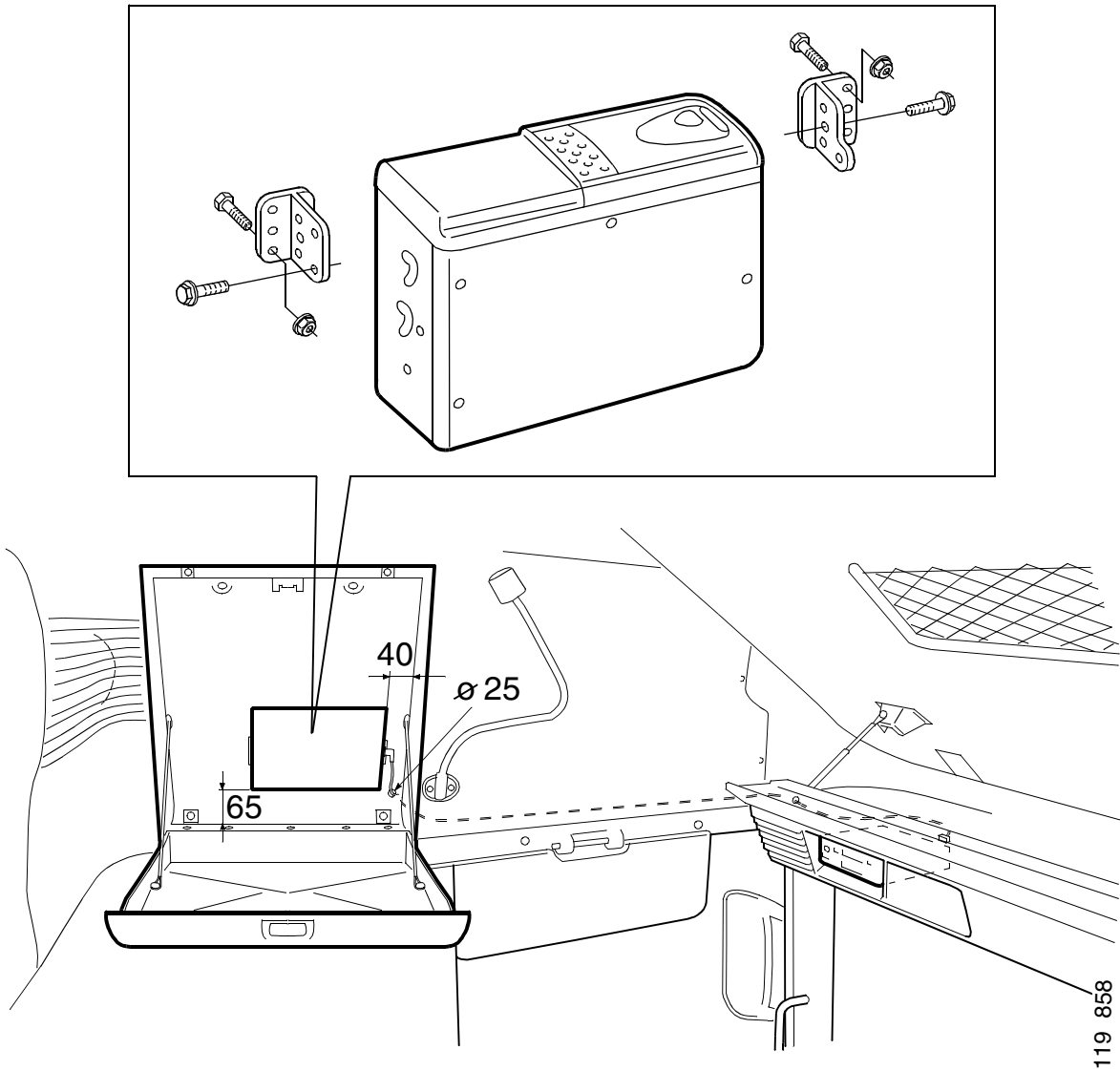


Mounting plate, part number: 1450955.

Storage module

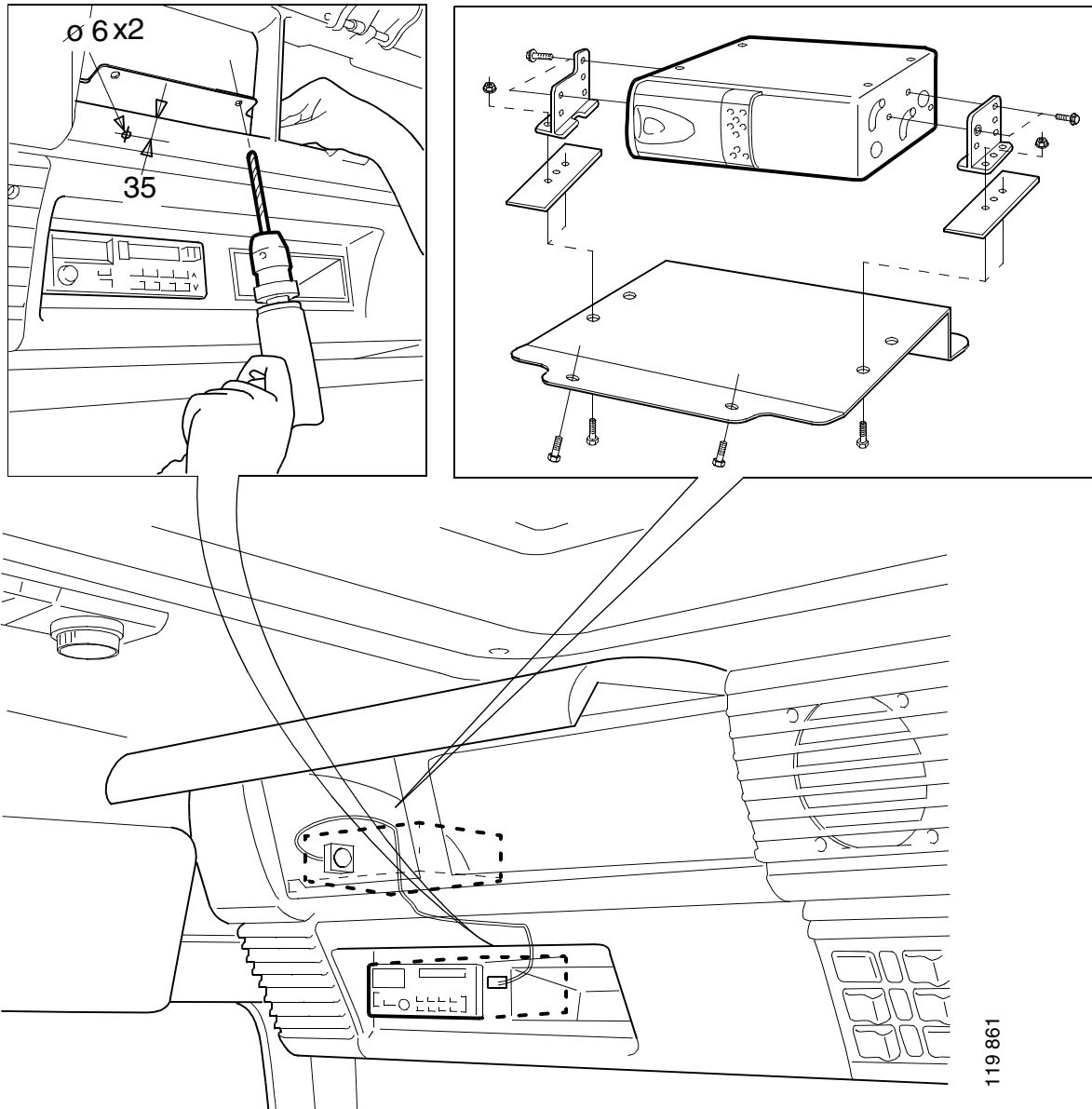


Topline

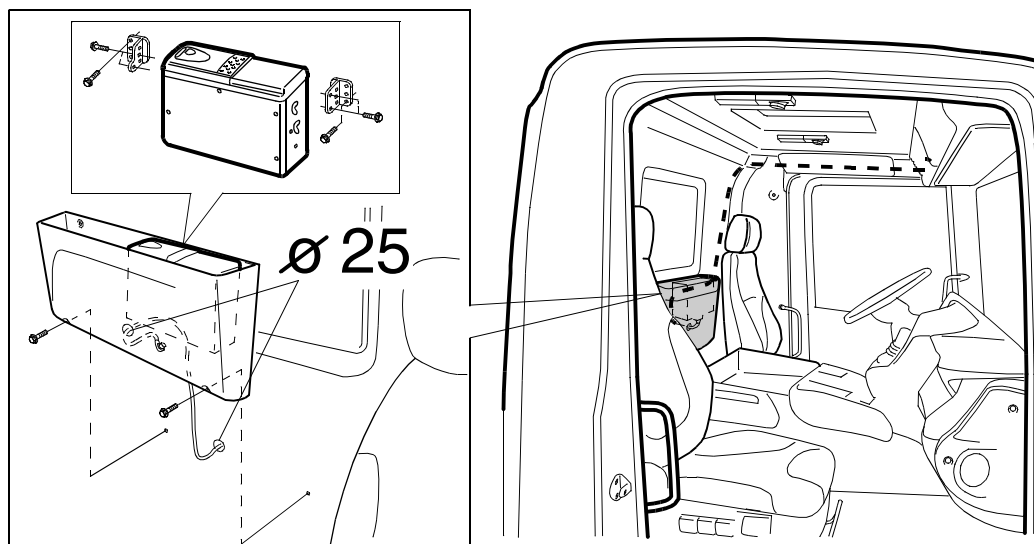


CP, CR, CT 19

The CD changer can be located anywhere in the overhead locker.



CP, CR, CT 14



119 860