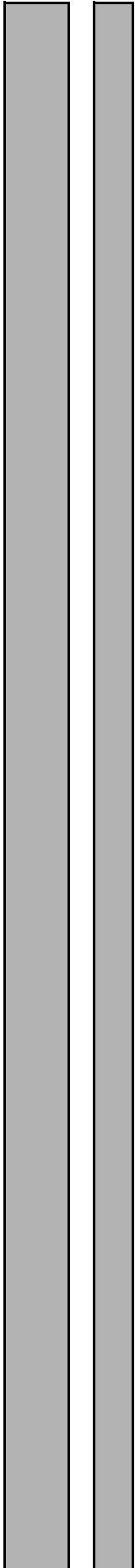


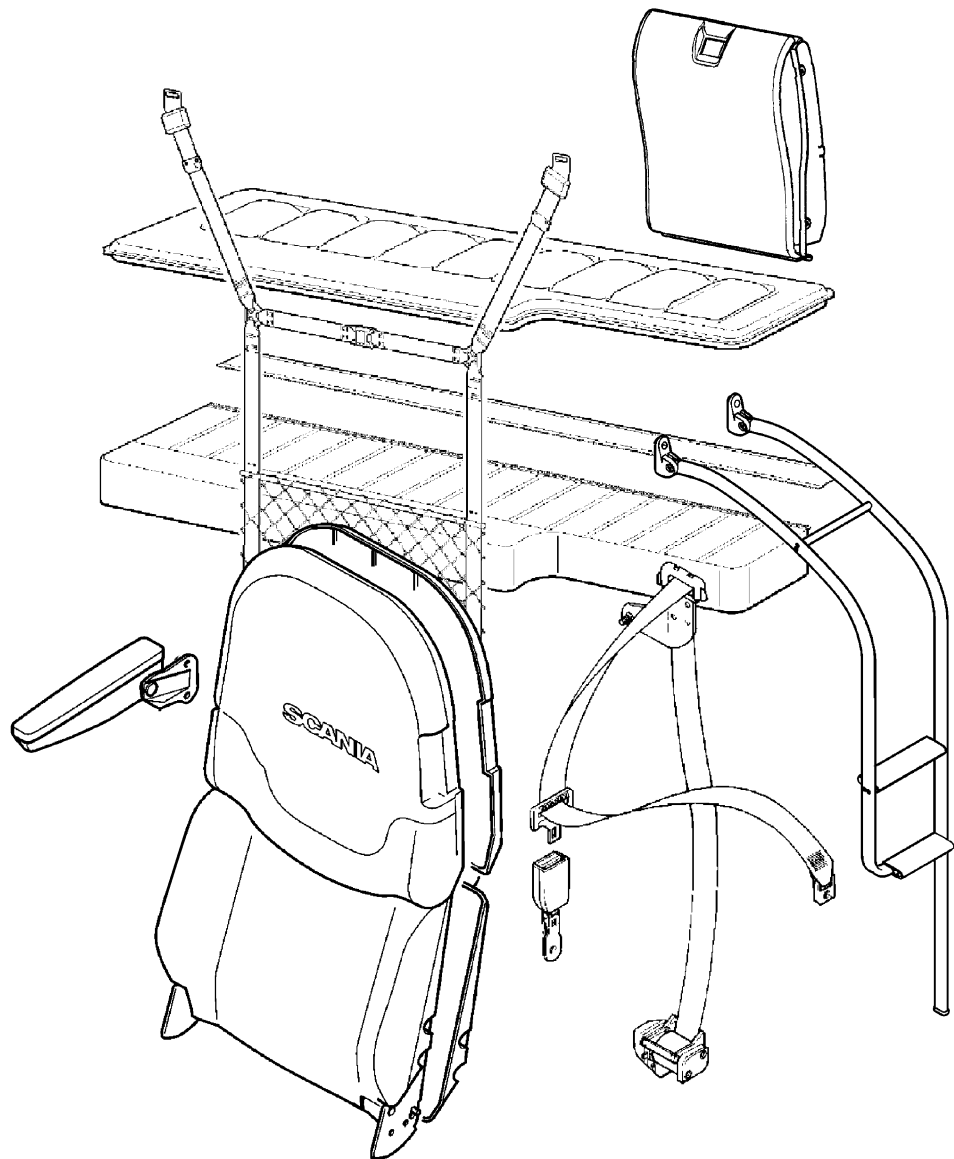
**SCANIA**

**18:01-06**

Issue 2 en



## Interior



122 861

**1 712 978**

© Scania CV AB 2010, Sweden

# Contents

General	.....	3
Seats	.....	4
Passenger seats/rest break equipment, belts	.....	28
Beds	.....	43
Centre console, storage boxes	.....	48
Radio shelf	.....	59
Headlining, wall panels	.....	66
Door	.....	74

# General

This booklet has been compiled as an aid to removing and fitting interior parts. Since tightening torque figures are only quoted for seats, care should be taken when tightening bolts to ensure that the interior parts are not damaged. Refer to the appropriate seat booklet for the tightening torque.

In most cases it will become evident during the work how the interior parts are held together. Make sure you never use force when removing or fitting interior parts. If something seems to be firmly fixed, refer to this booklet to find out how the part concerned is fitted.

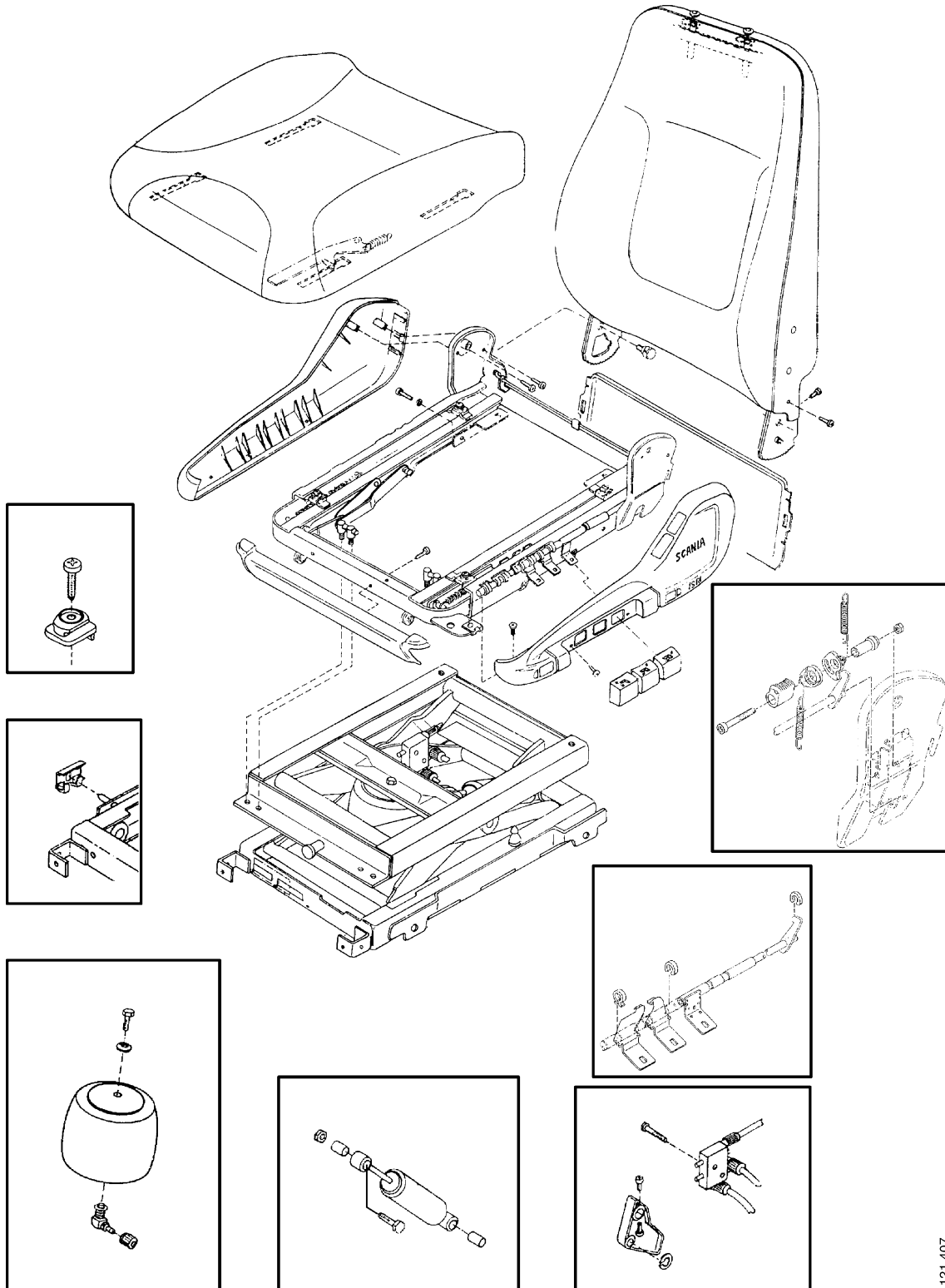
If you cannot find the part in this booklet, check whether it has been included in an updated web issue of this booklet. Also check Scania Multi and the Parts Catalogue as many illustrations in this booklet have been taken from there.

**IMPORTANT!** Never use force when removing or fitting interior parts.

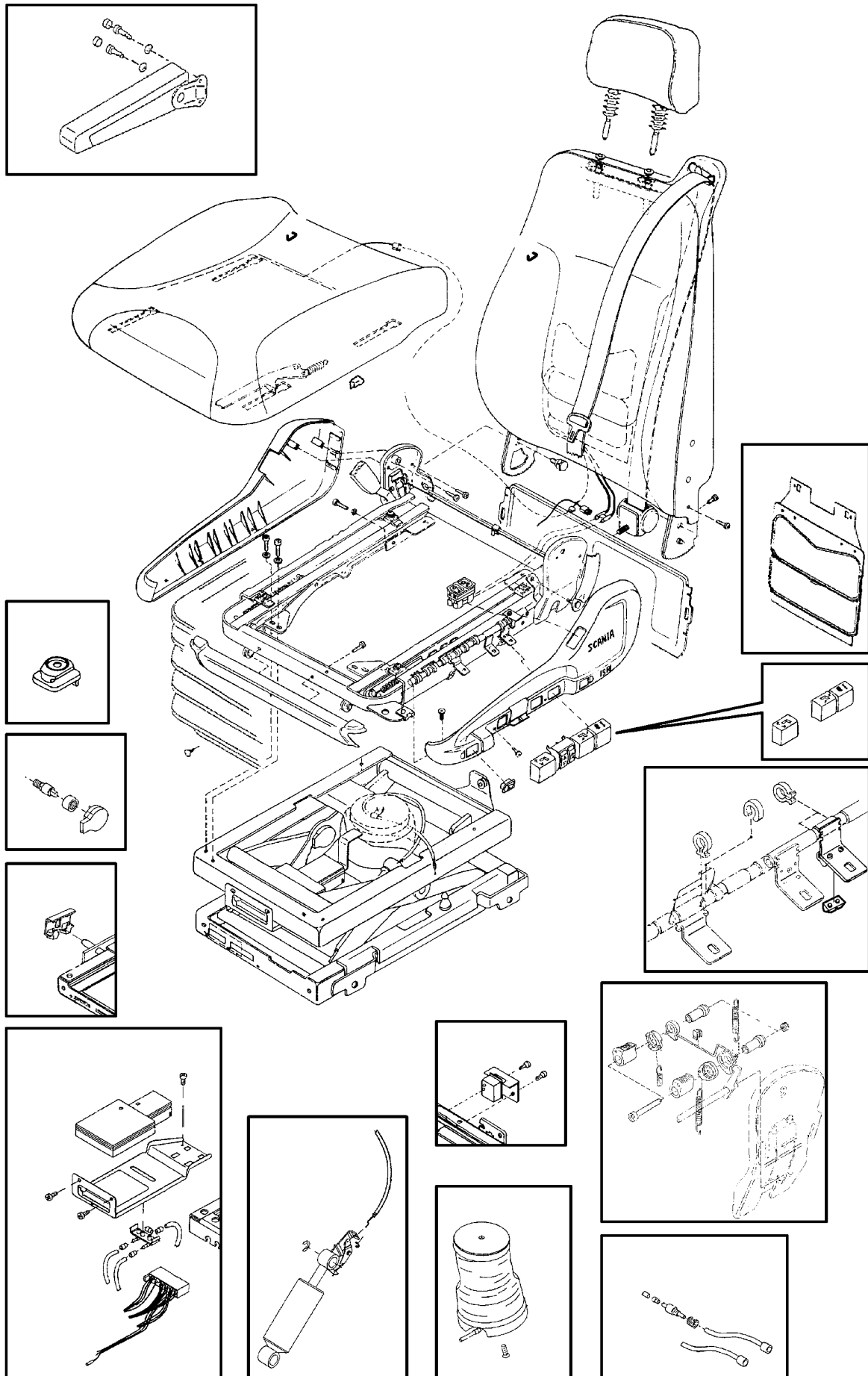
# Seats

## Air-sprung seat

### Basic

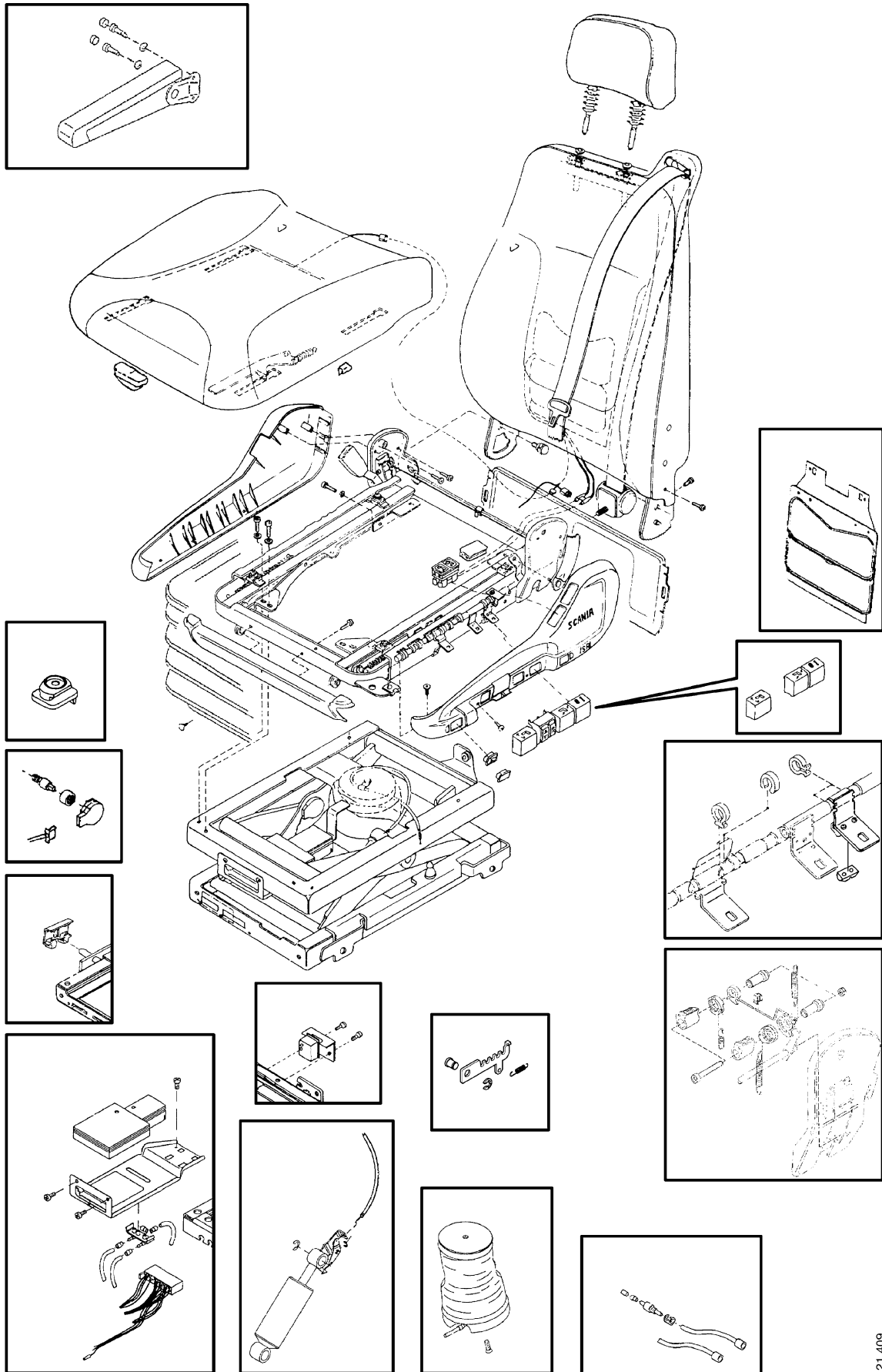


Medium, type A, CH -1239401 SSS, CH -9031835 SAN, CH -4391862 SNL



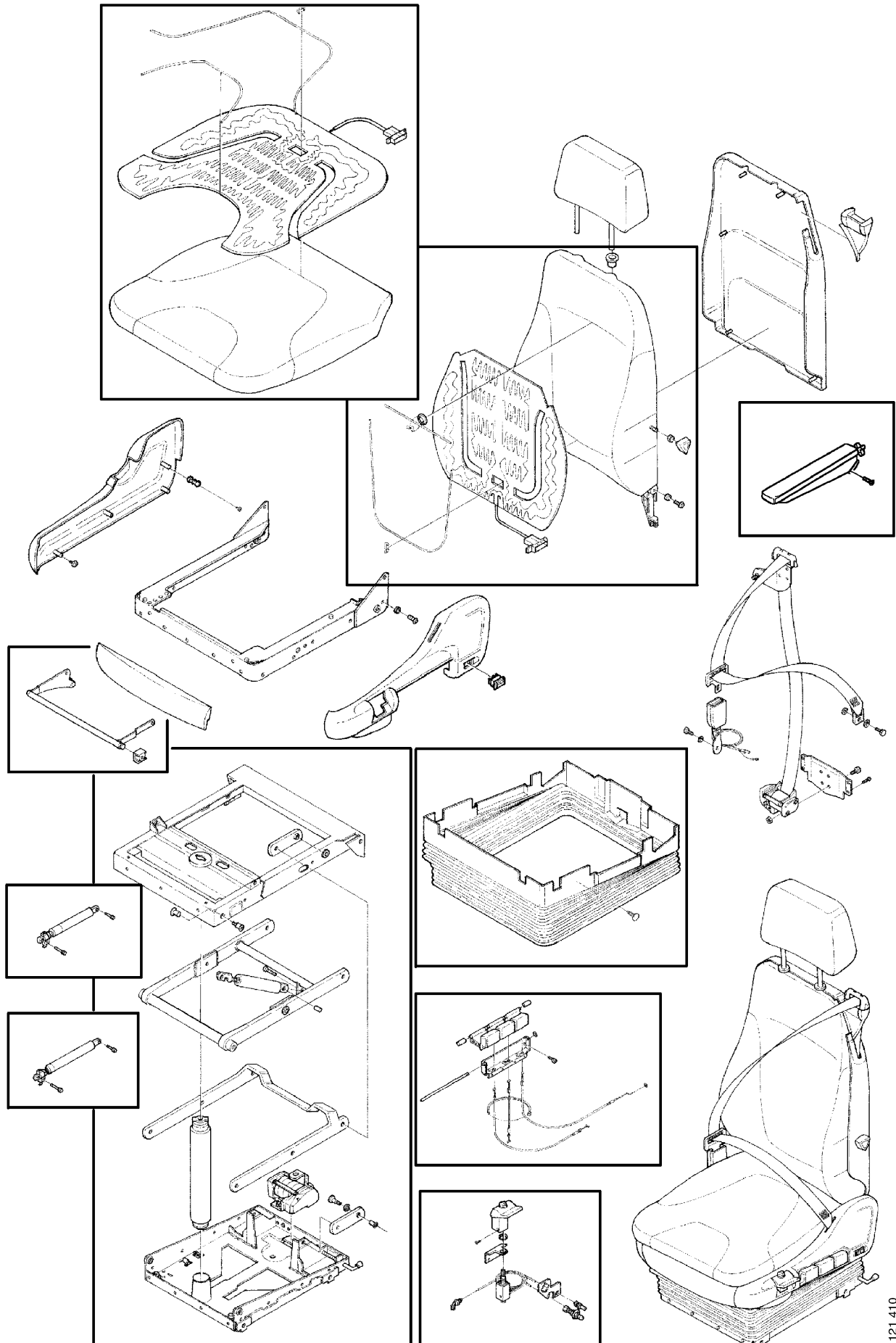
121 408

Medium, type A, CH1239402-1254179 SSS, CH9031836-9046286 SAN,  
CH4391836-4420246 SNL



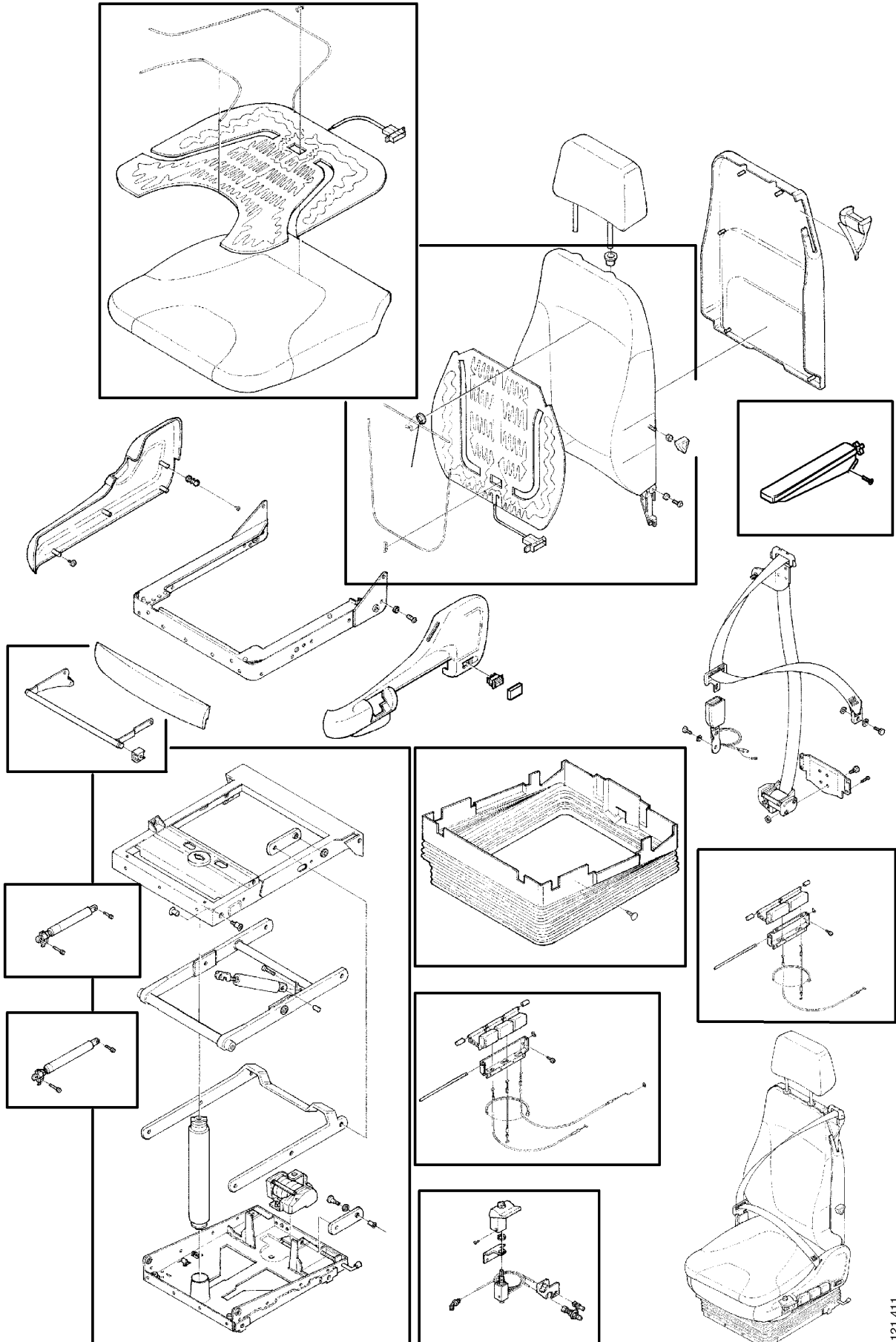
121 409

Medium, type B, CH -1239401 SSS, CH -9031835 SAN, CH -4391862 SNL



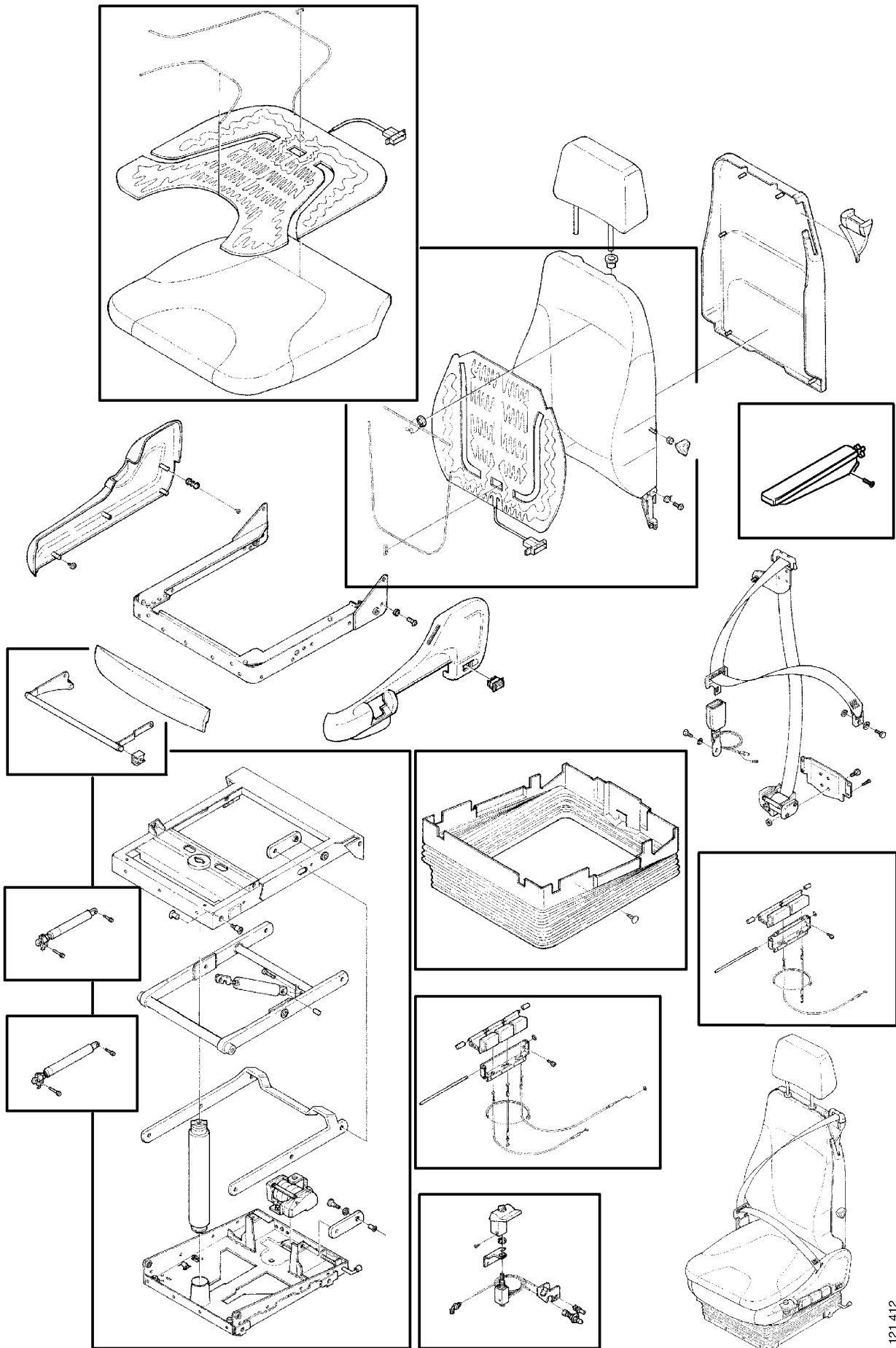
121 410

Medium, type B, CH1239402-1263432 SSS, CH9031836-9055468 SAN, CH4391863-4438557 SNL



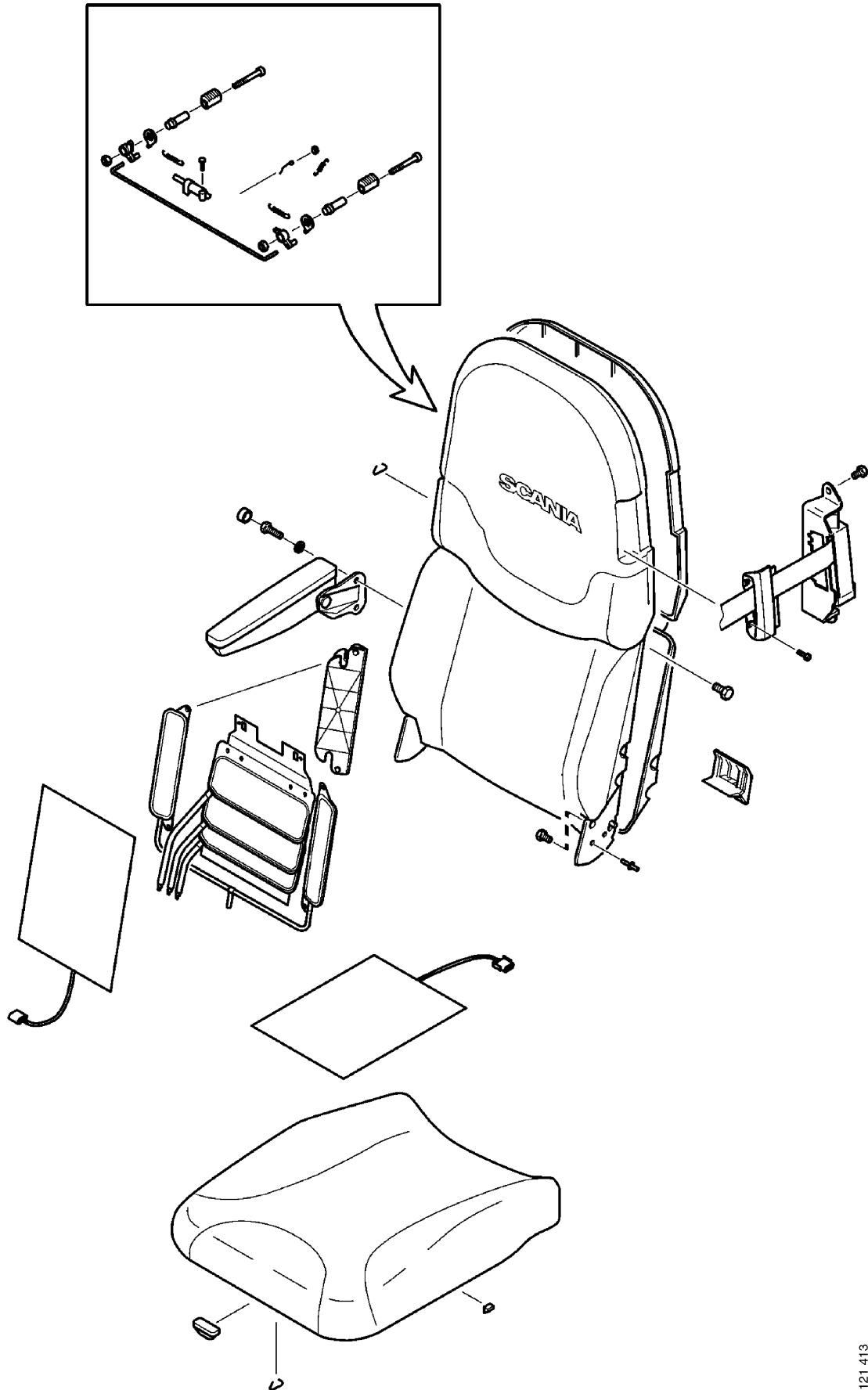
121 411

# Medium, type B, Topline



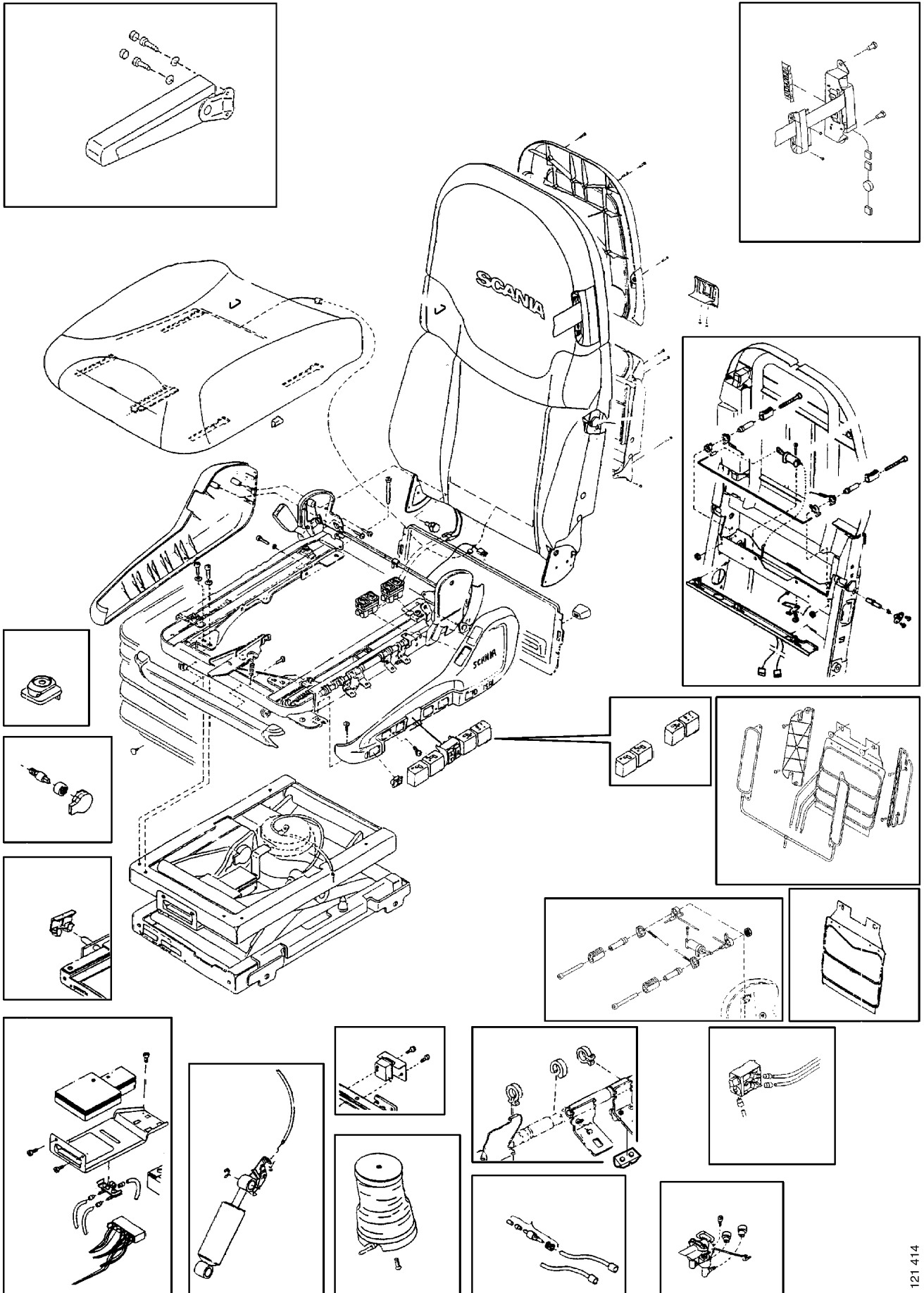
121 412

Luxury, CH1254180- SSS, CH9046287- SAN, CH4420247- SNL



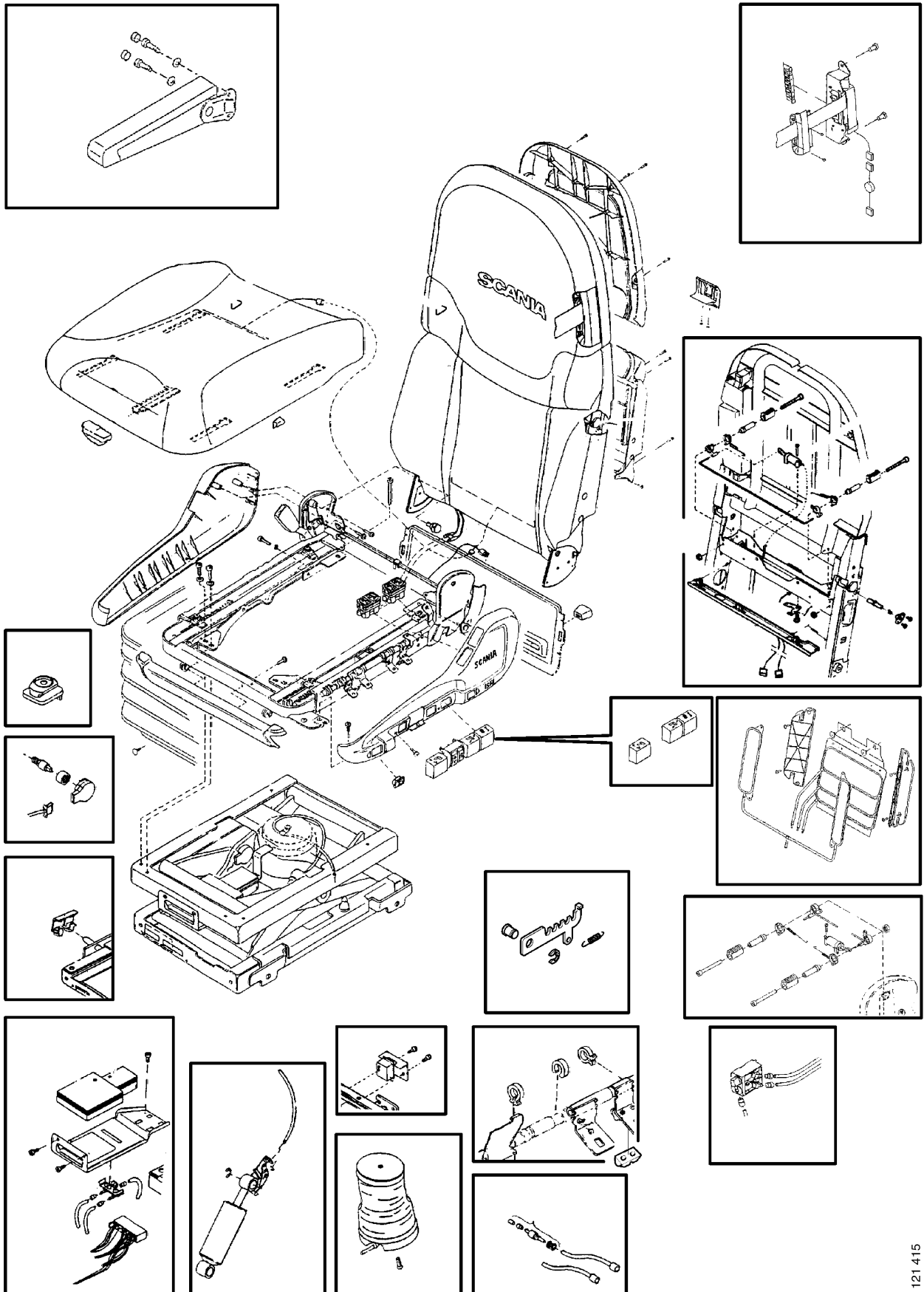
121 413

Luxury, CH -1239401 SSS, CH -9031835 SAN, CH -4391862 SNL



121 414

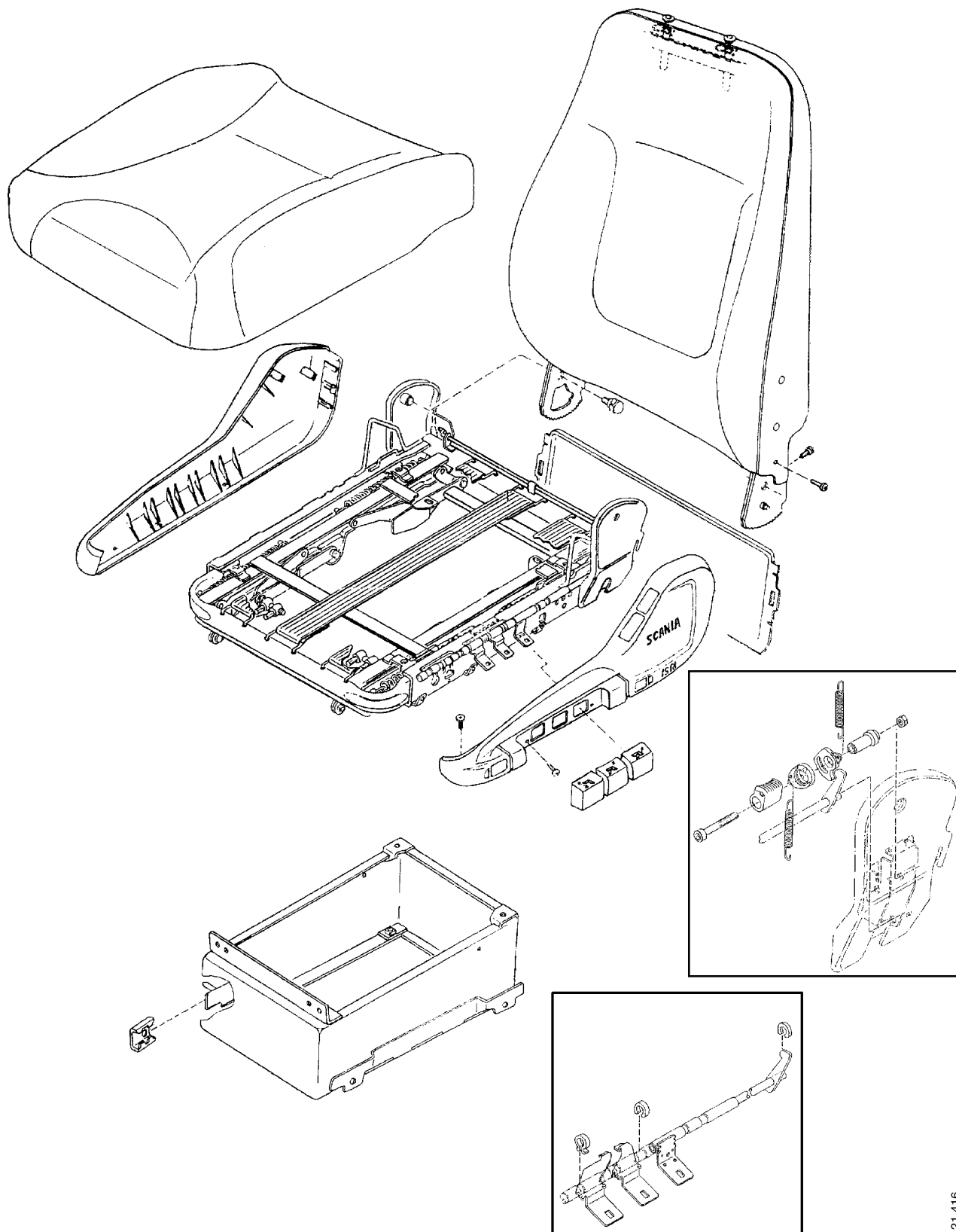
Luxury, CH1239402-1254179 SSS, CH9031836-9046286 SAN,  
CH4391863-4420246 SNL



121 415

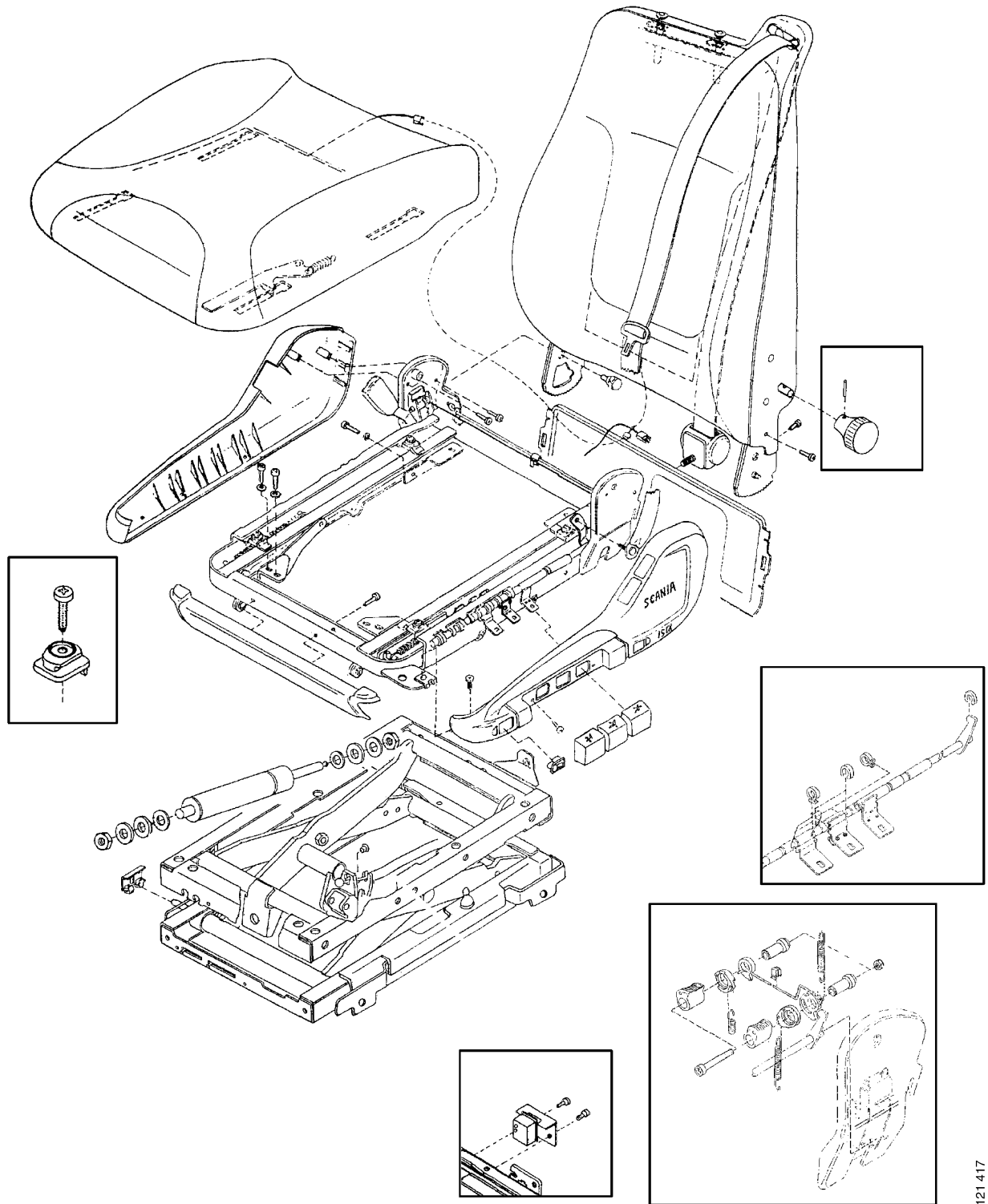
# Unsprung seat

## Basic



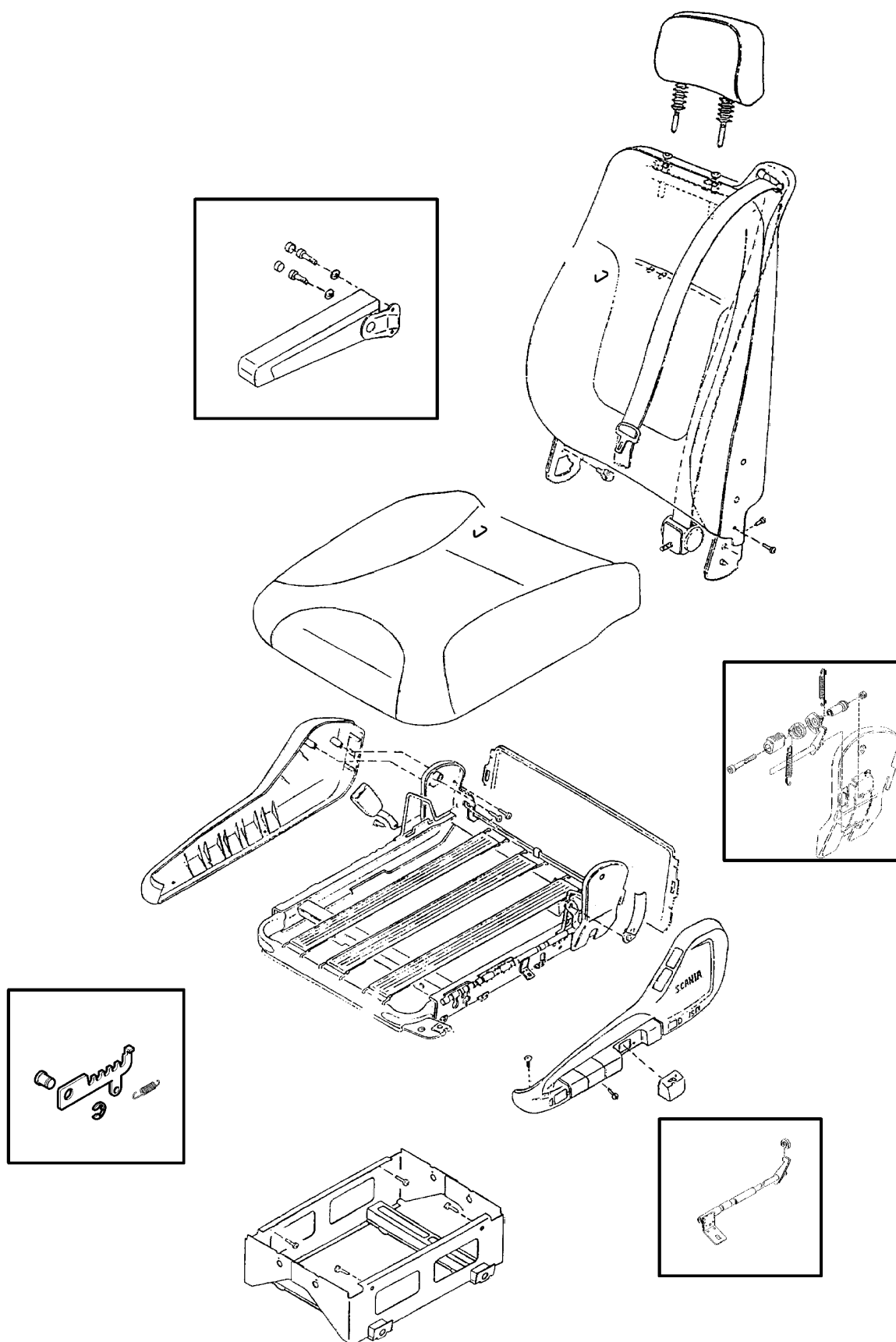
121 416

Medium, type A, CH -1239401 SSS, CH -4391862 SNL, CH -9031836 SAN



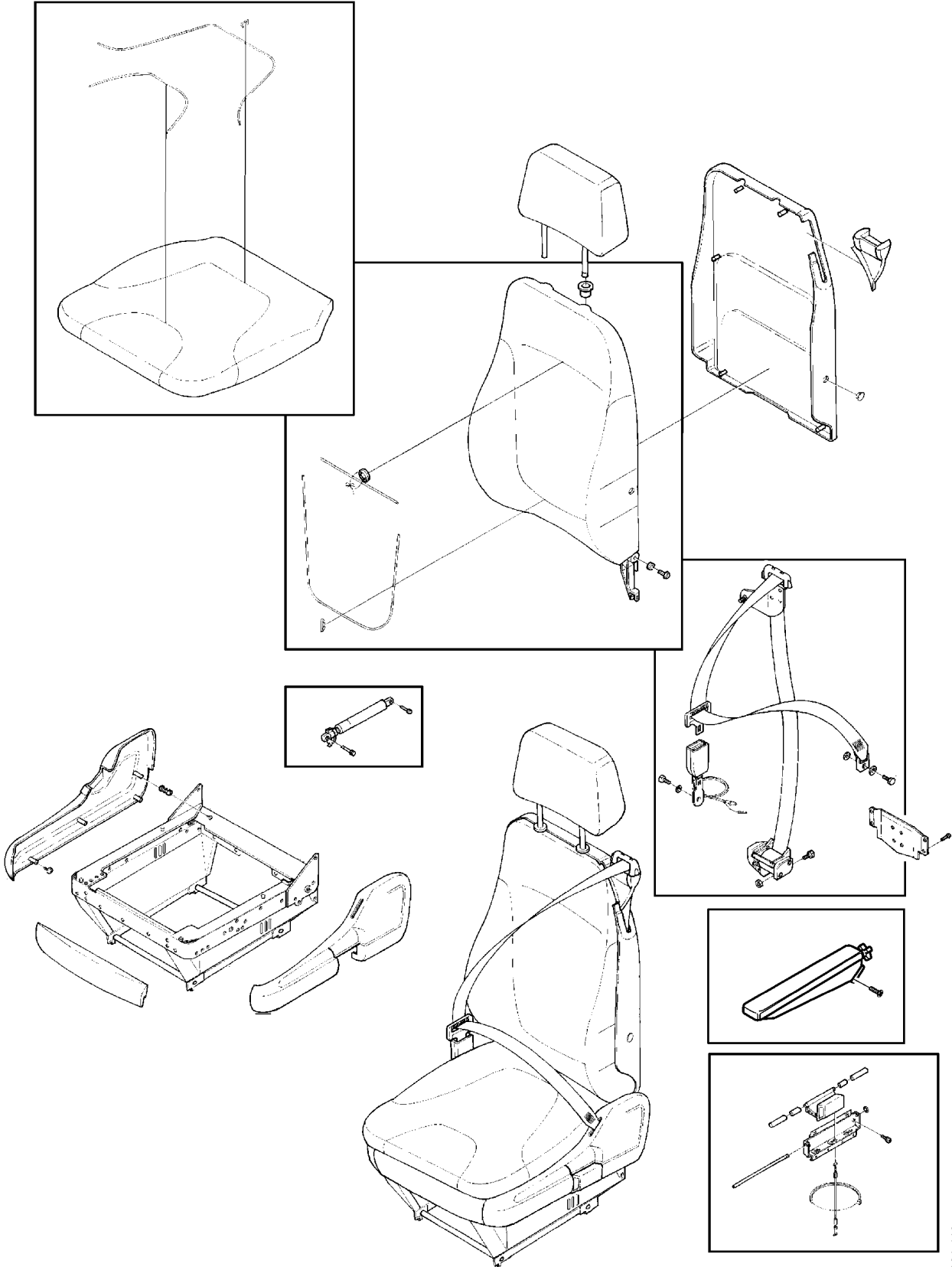
121417

Medium, type A, CH1239402-1254179 SSS, CH9031836-9046286 SAN,  
CH4391836-4420246 SNL



121 418

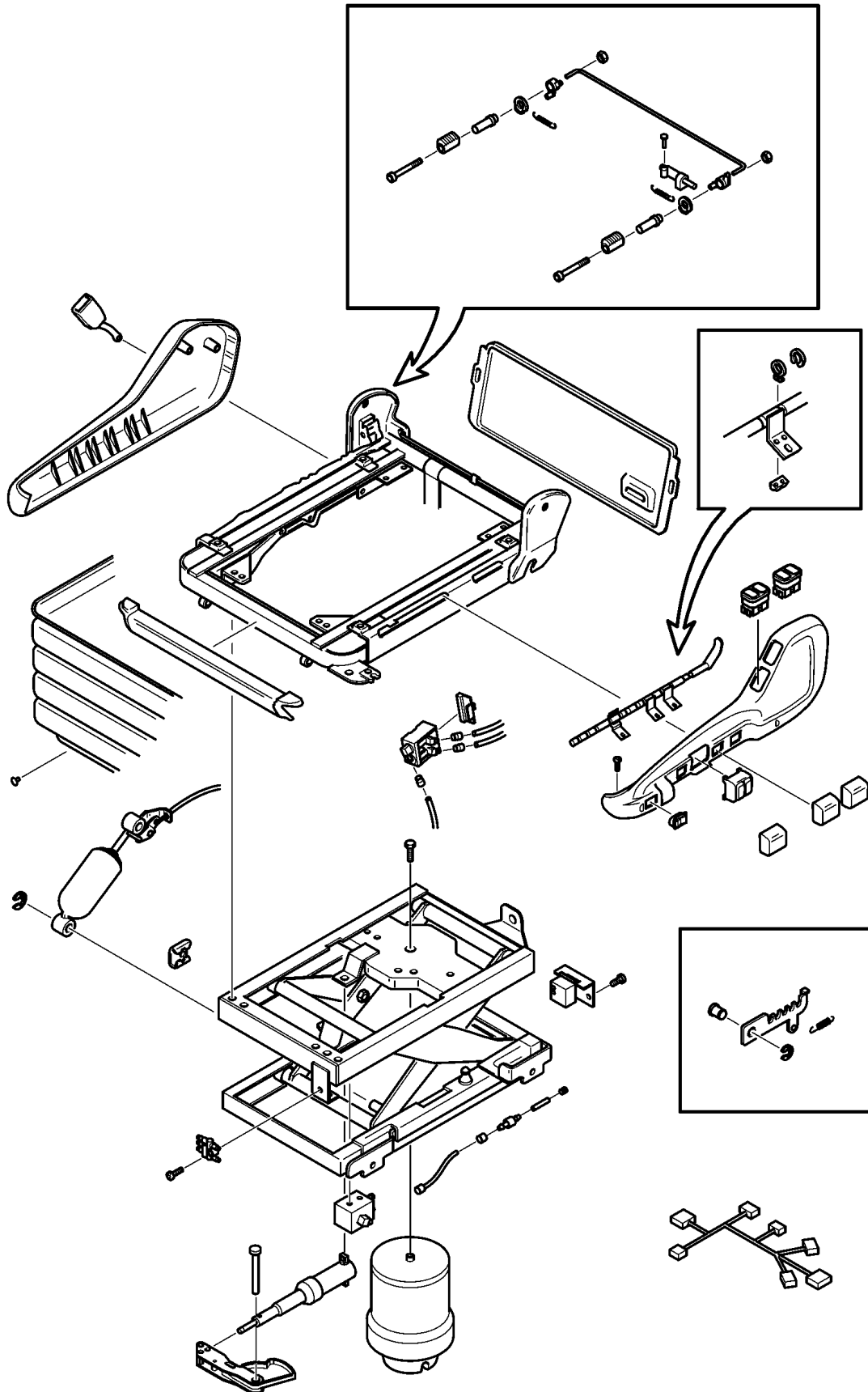
# Medium, type B



121 419



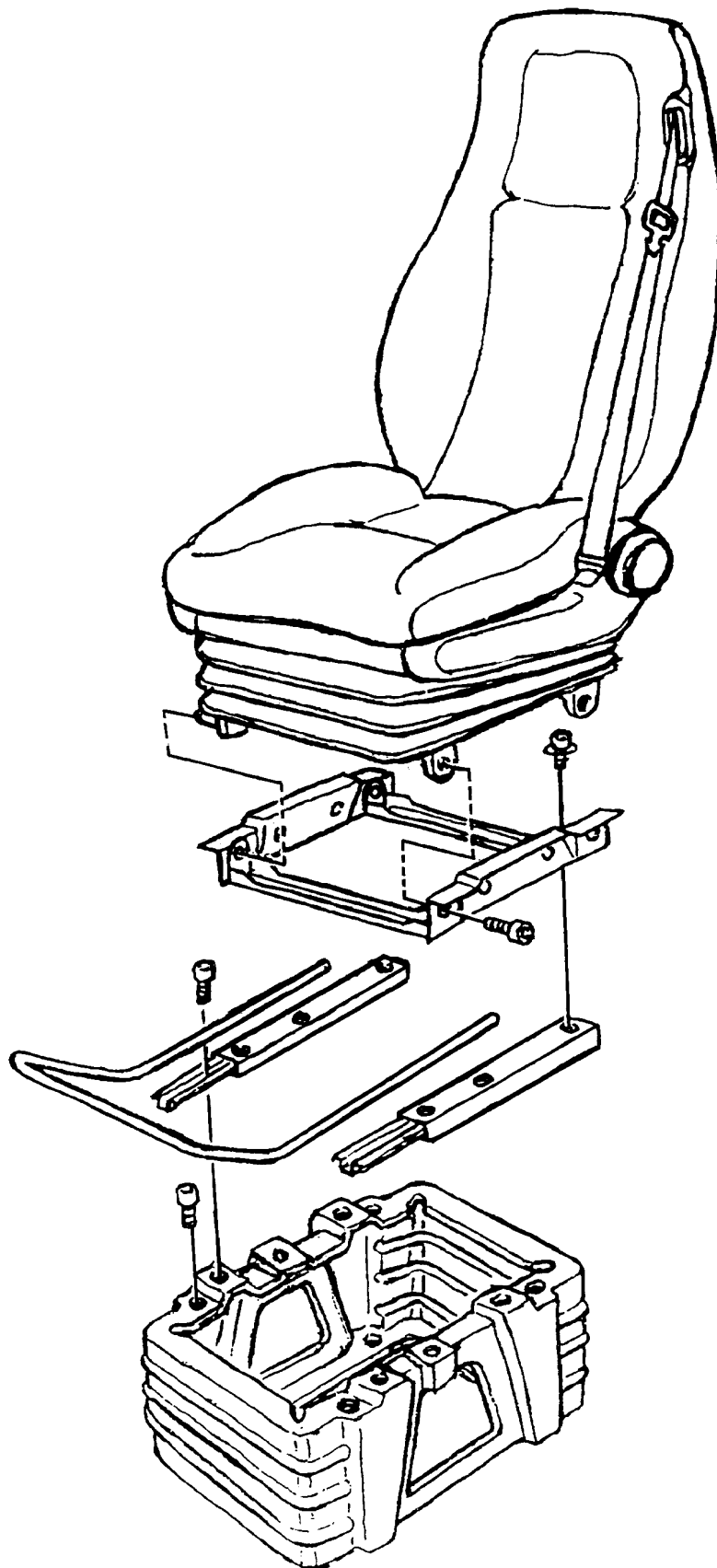
# Luxury



121 421

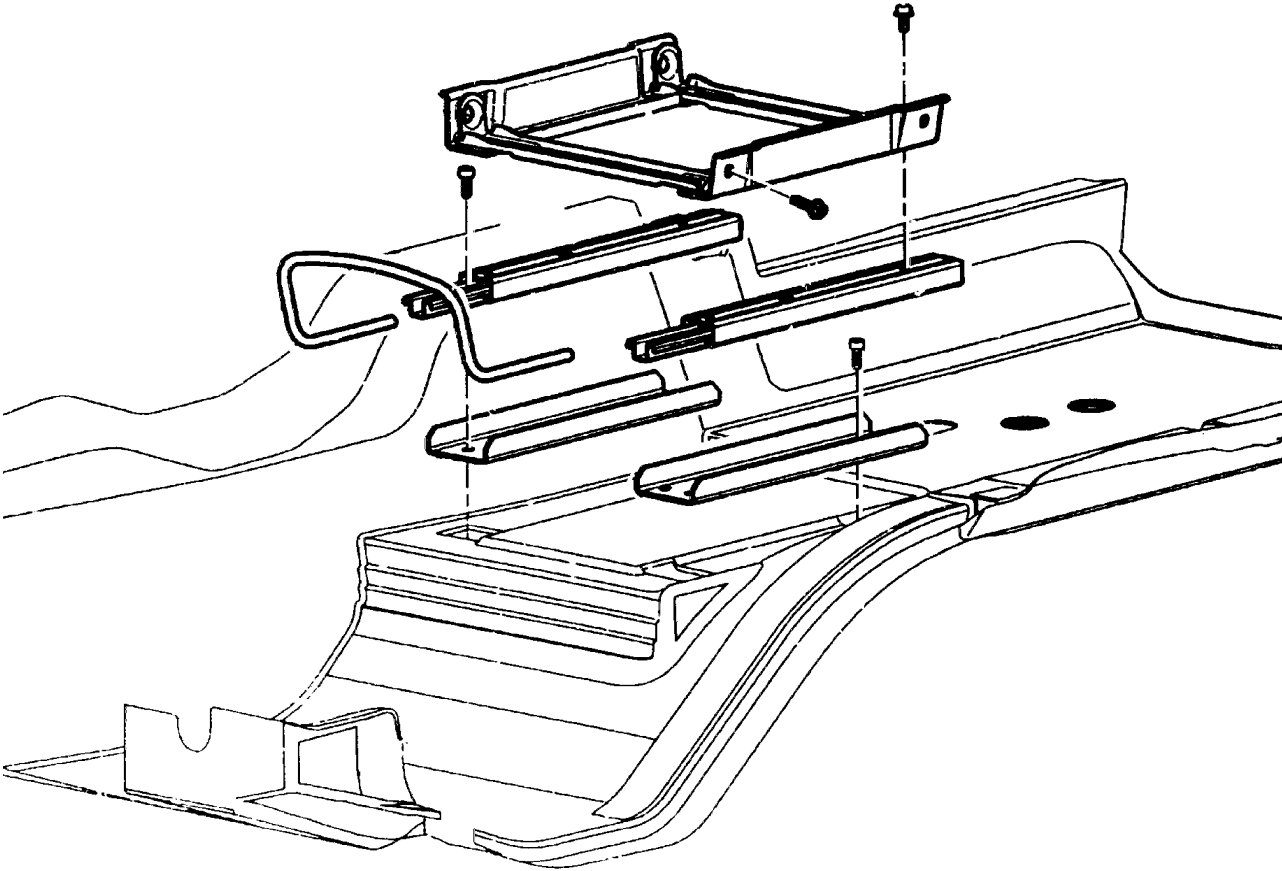
# Seat base

CR/CT



121 422

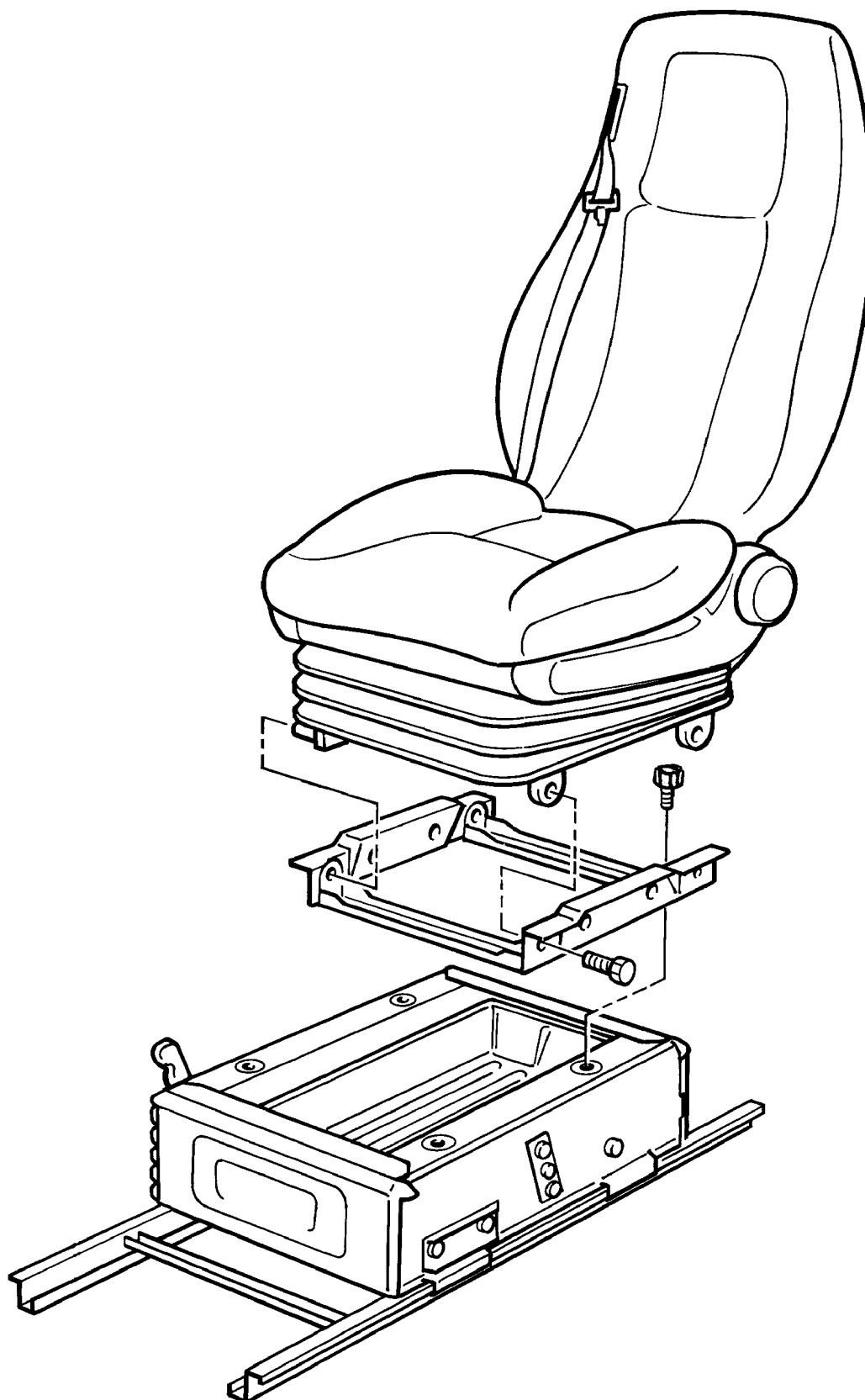
CP



121 423

# Sliding passenger seat

CR19

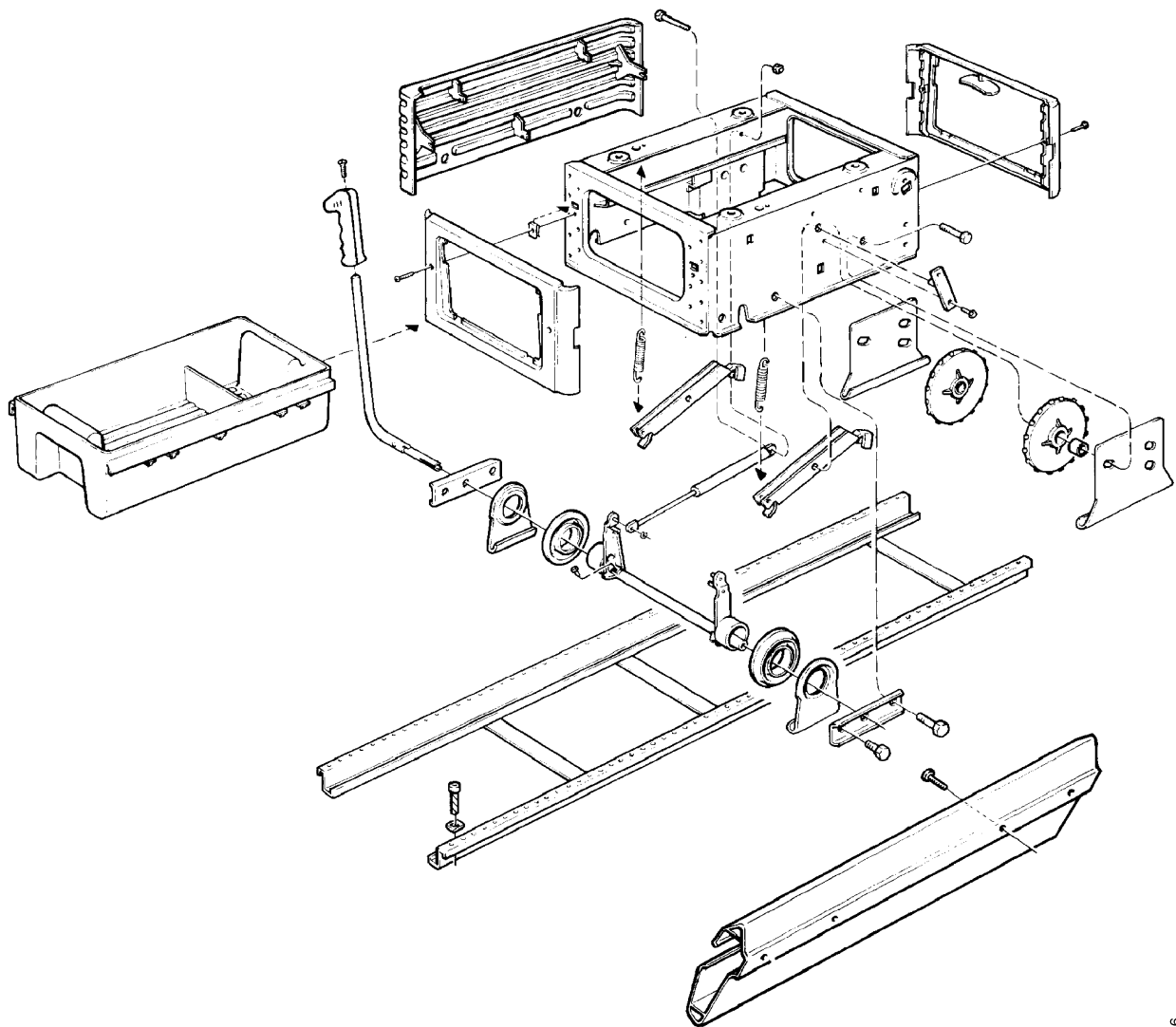


121 424



# Seat base, sliding passenger seat

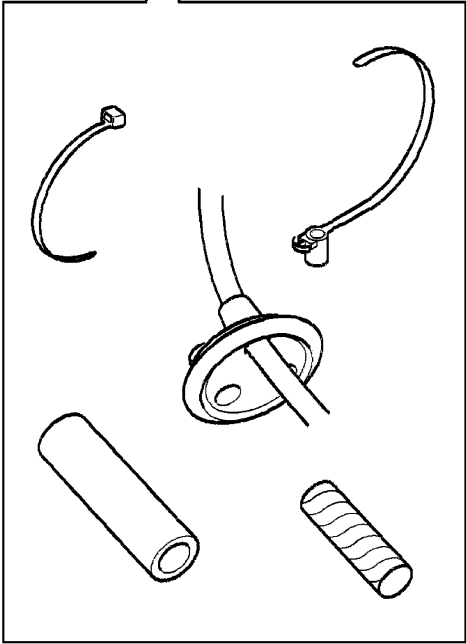
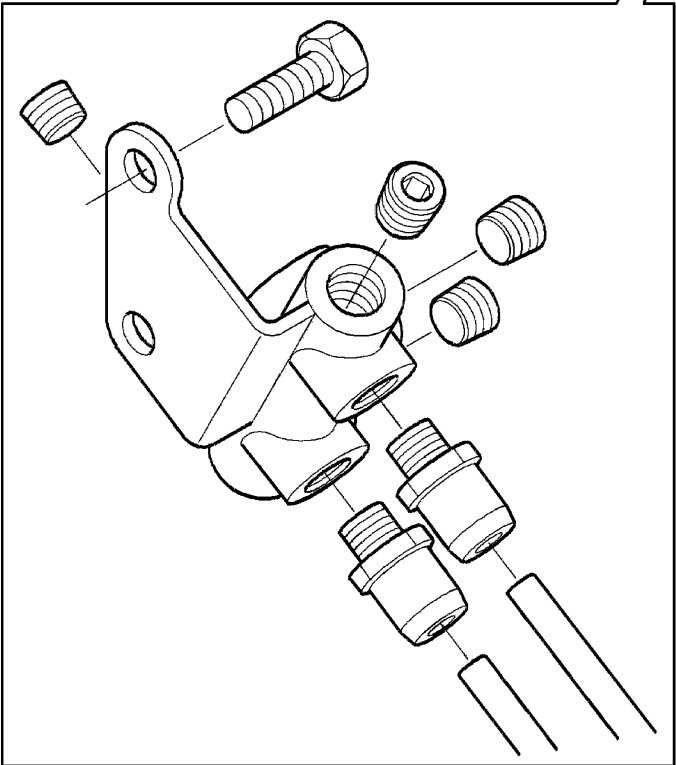
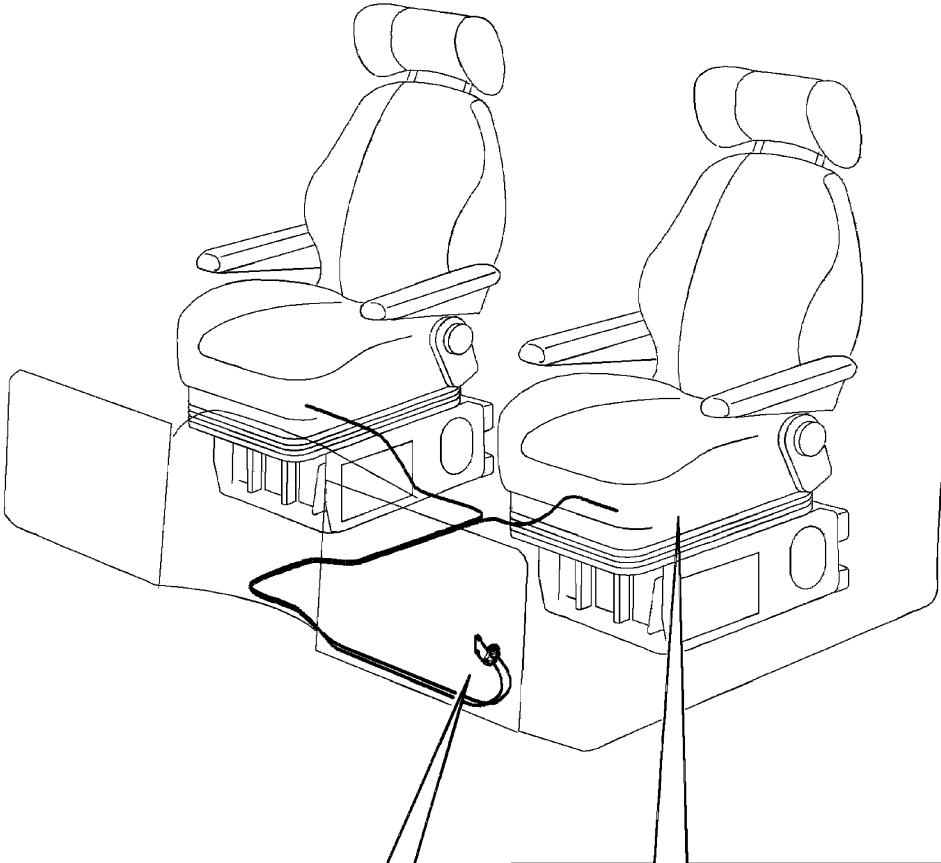
CR19



121 426

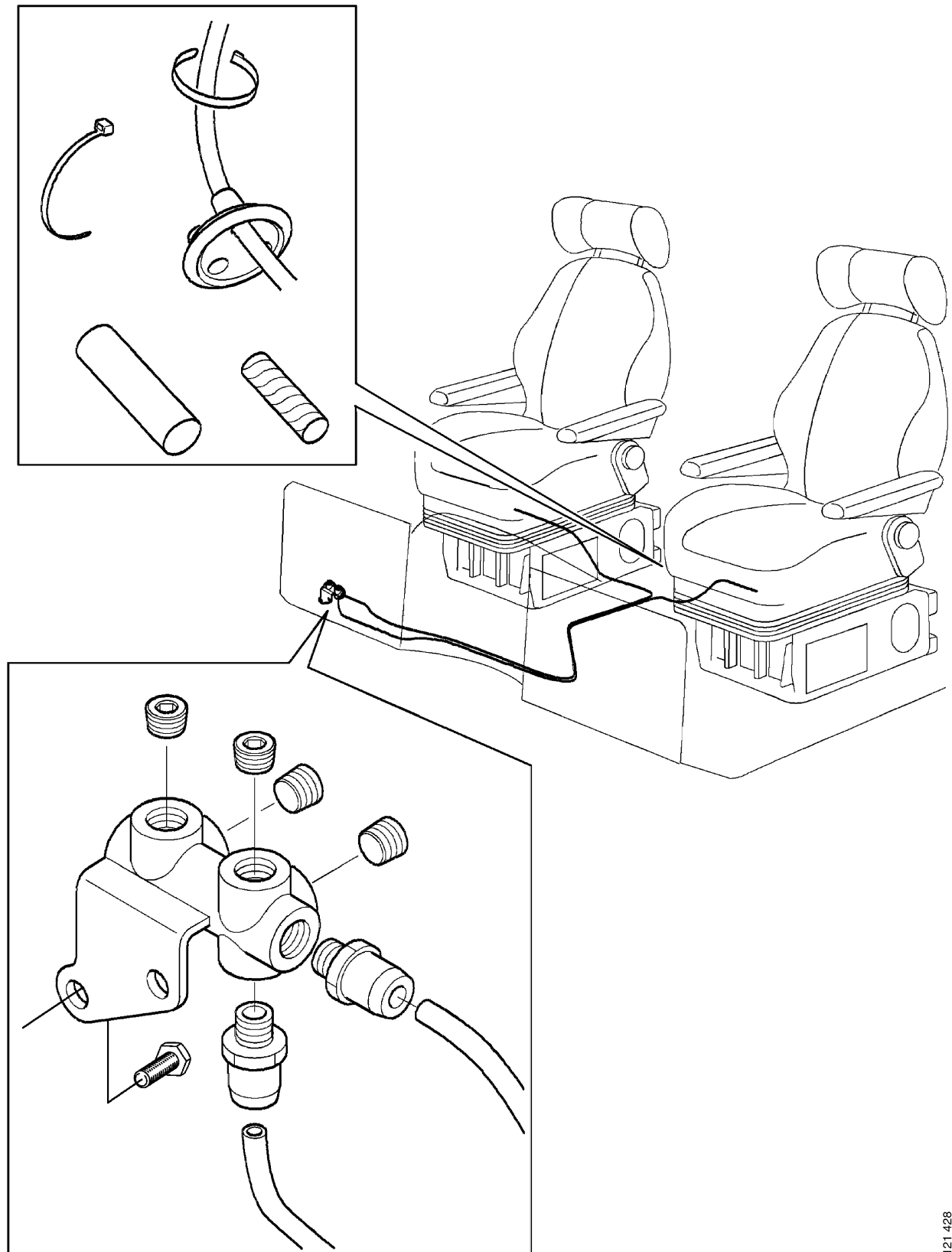
# Compressed air parts

LHD



121 427

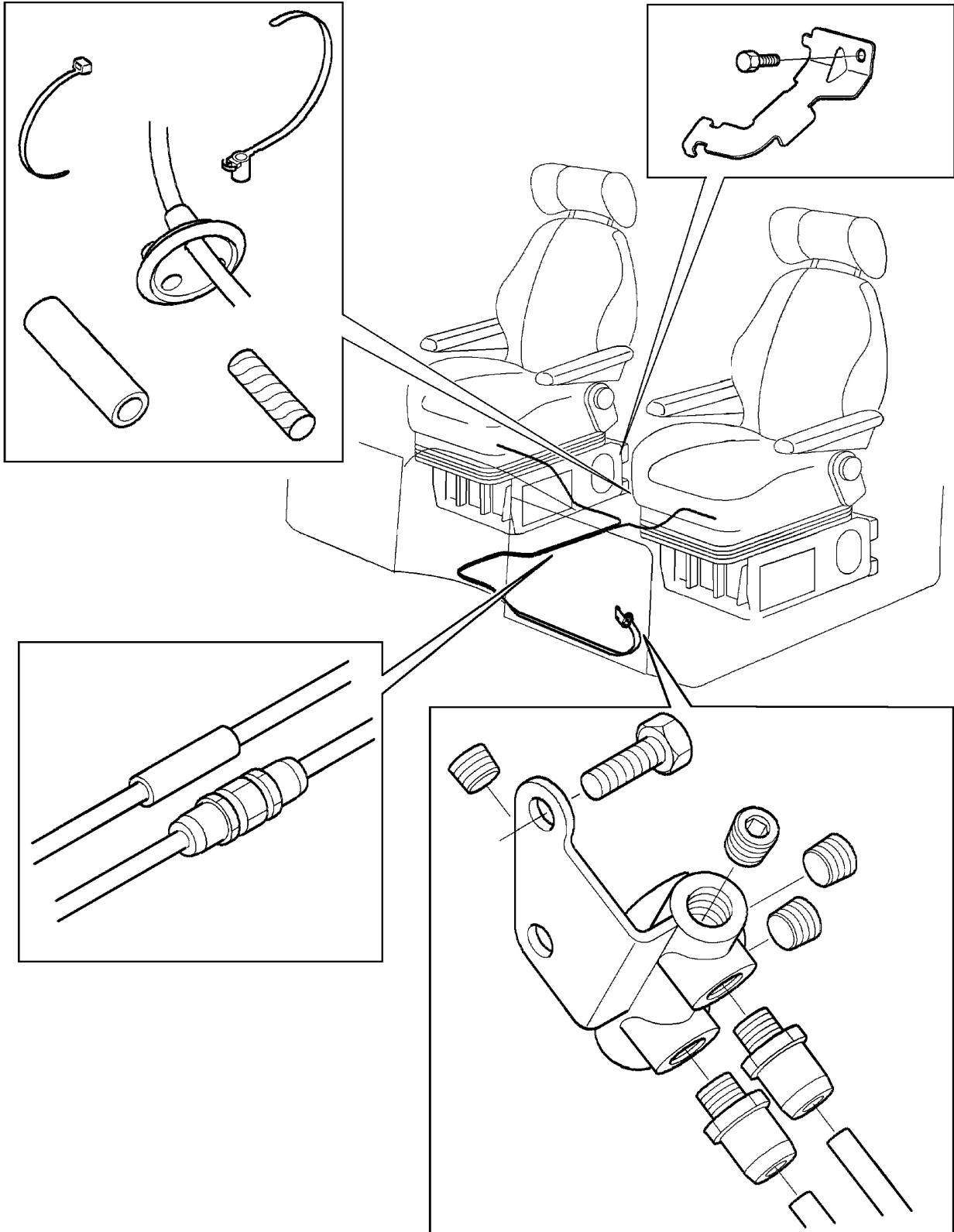
RHD



121 428

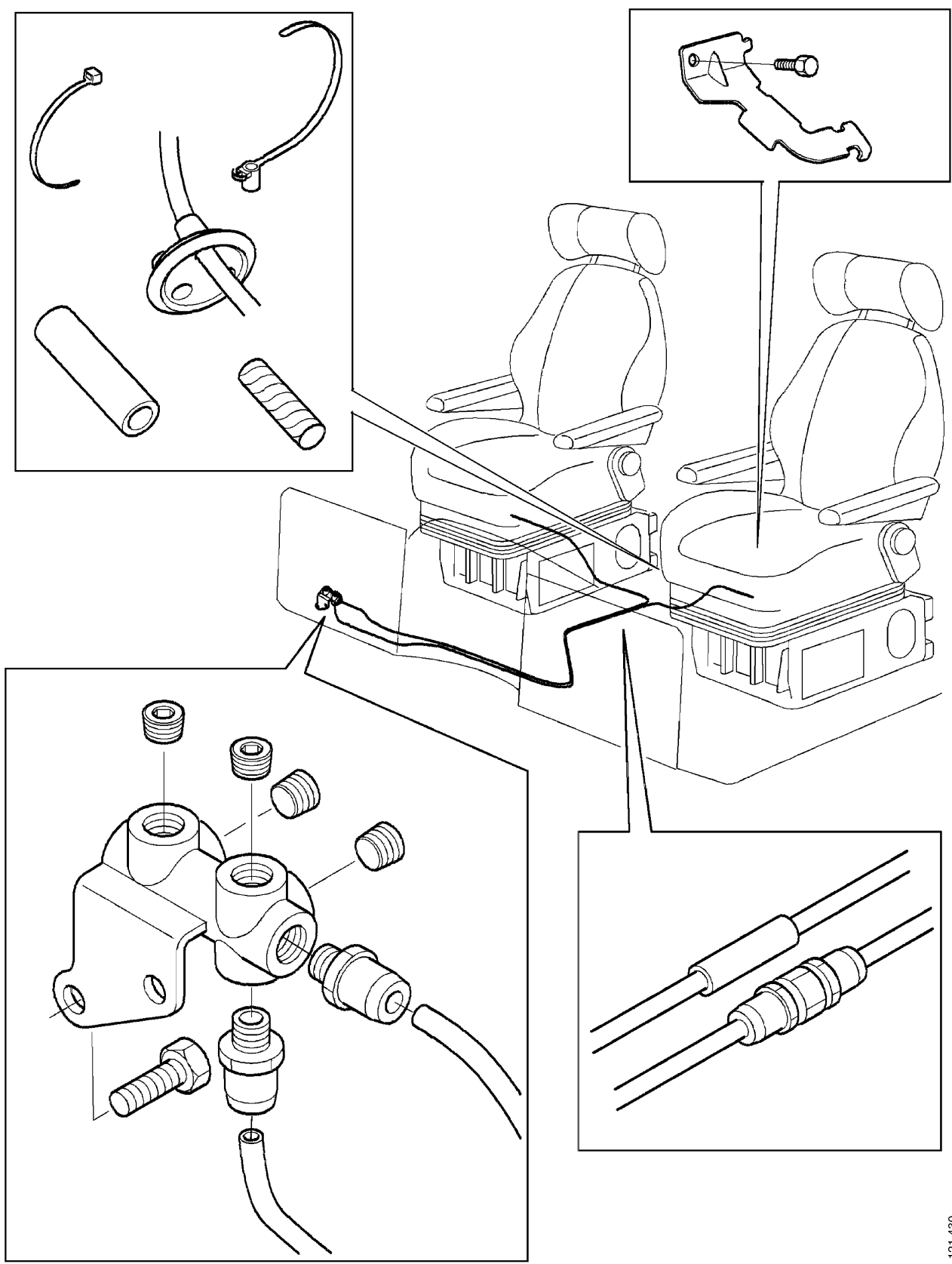
# Compressed air parts, sliding seat

## CR19 LHD



121 429

### CR19 RHD

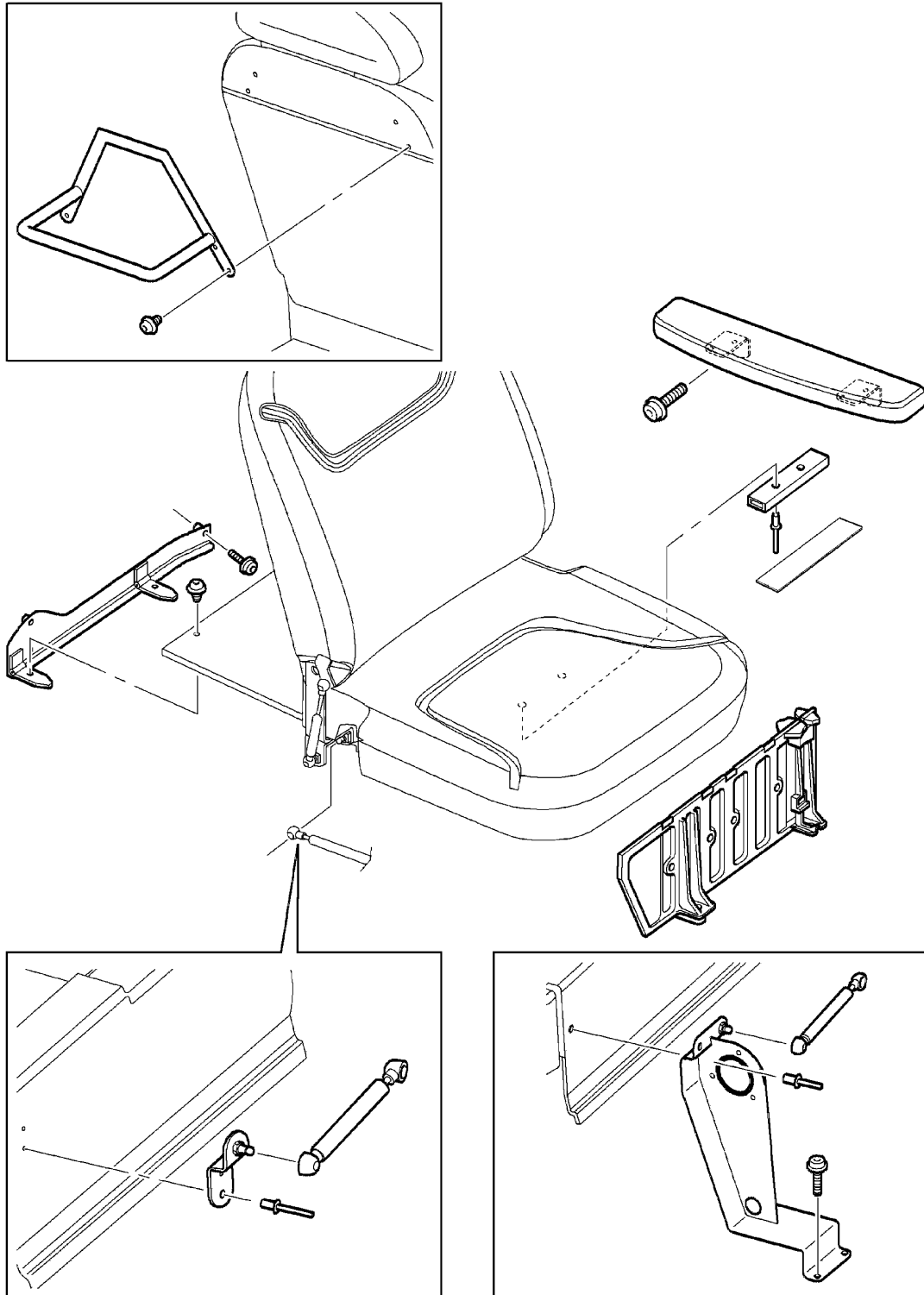


121 430

# Passenger seats/rest break equipment, belts

## Passenger seat, single, mounting parts

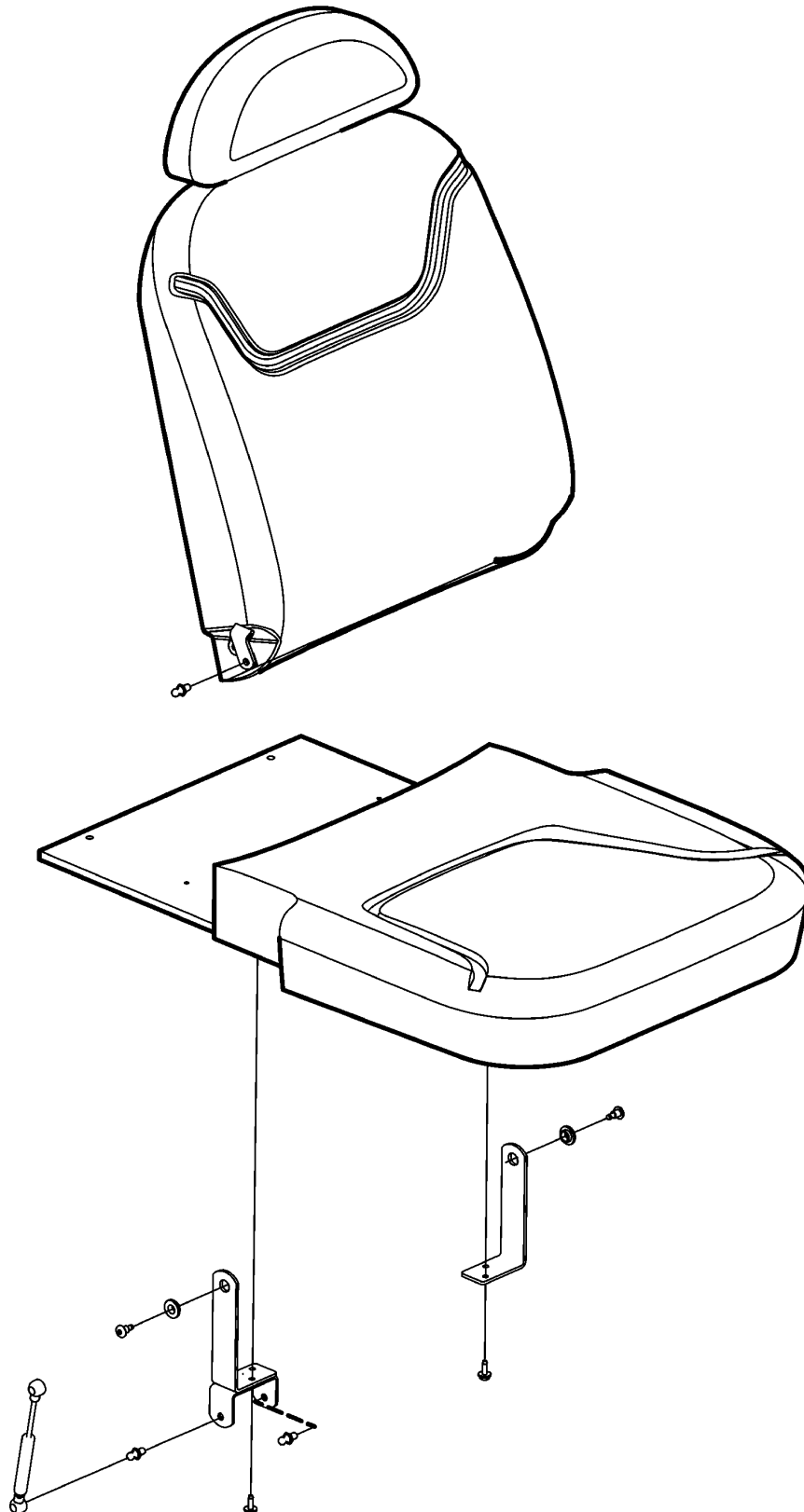
CR19



121 431

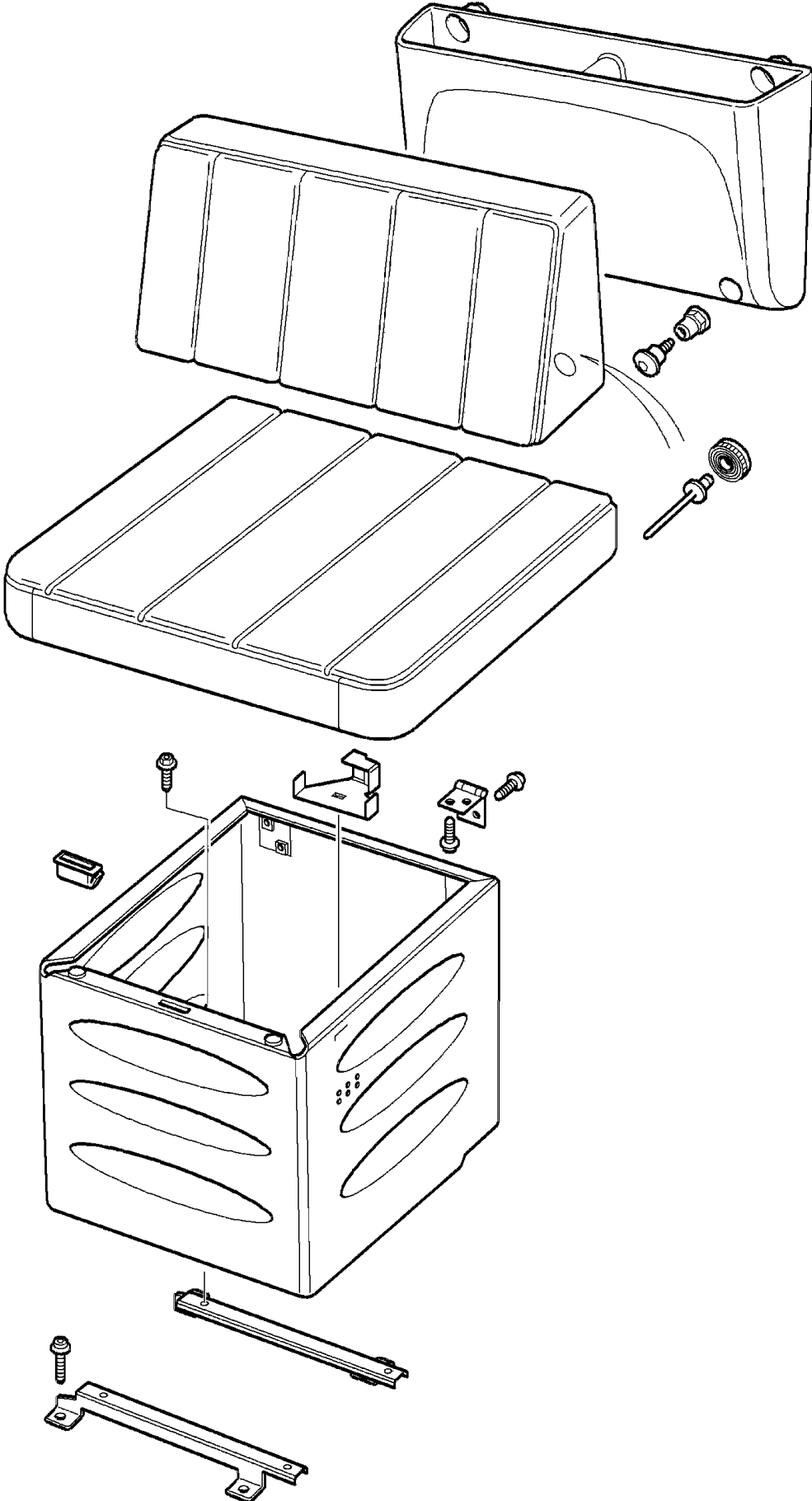
# Passenger seat, single

CR19



121 432

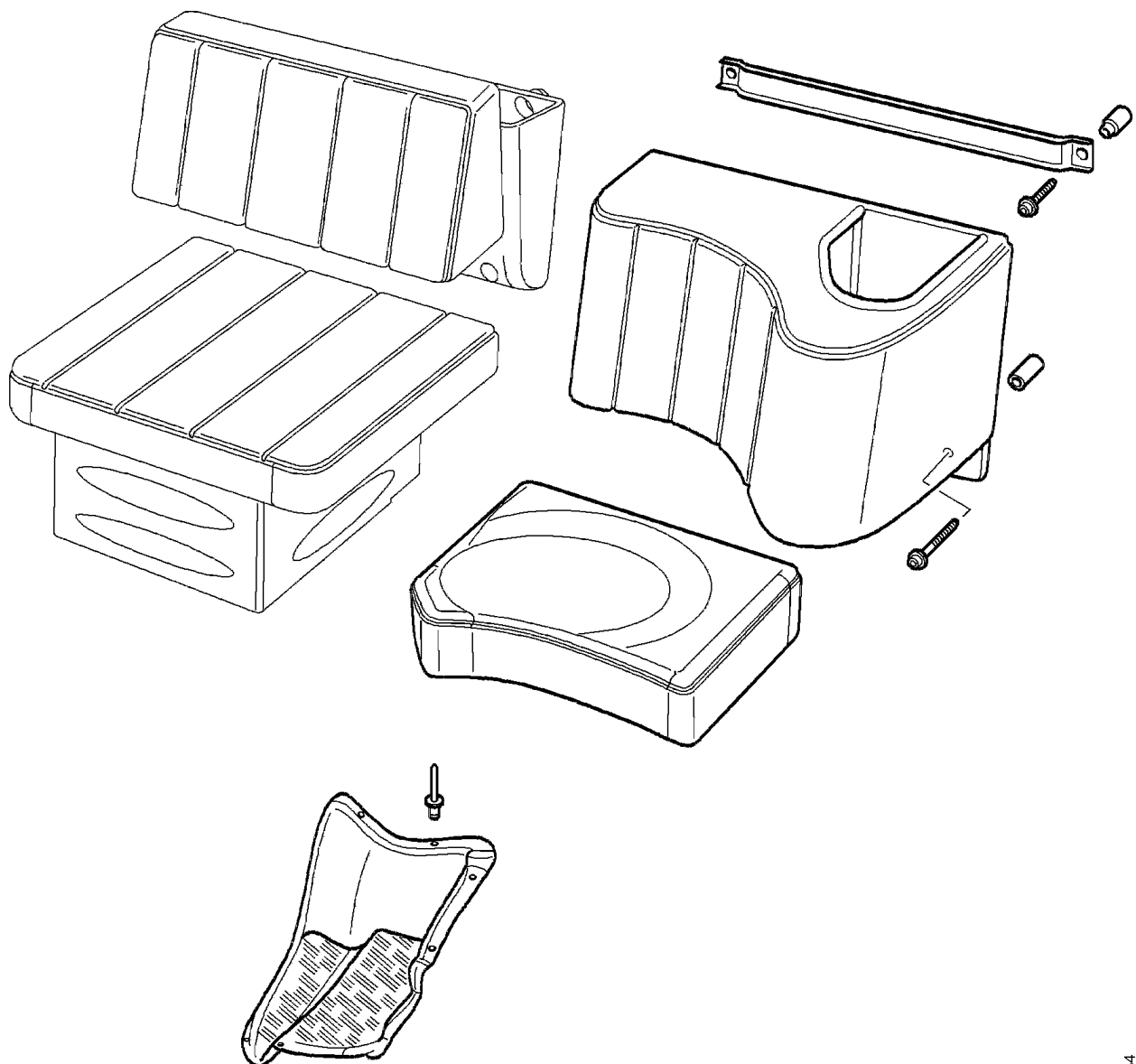
(CP) CR/T-14



121 433

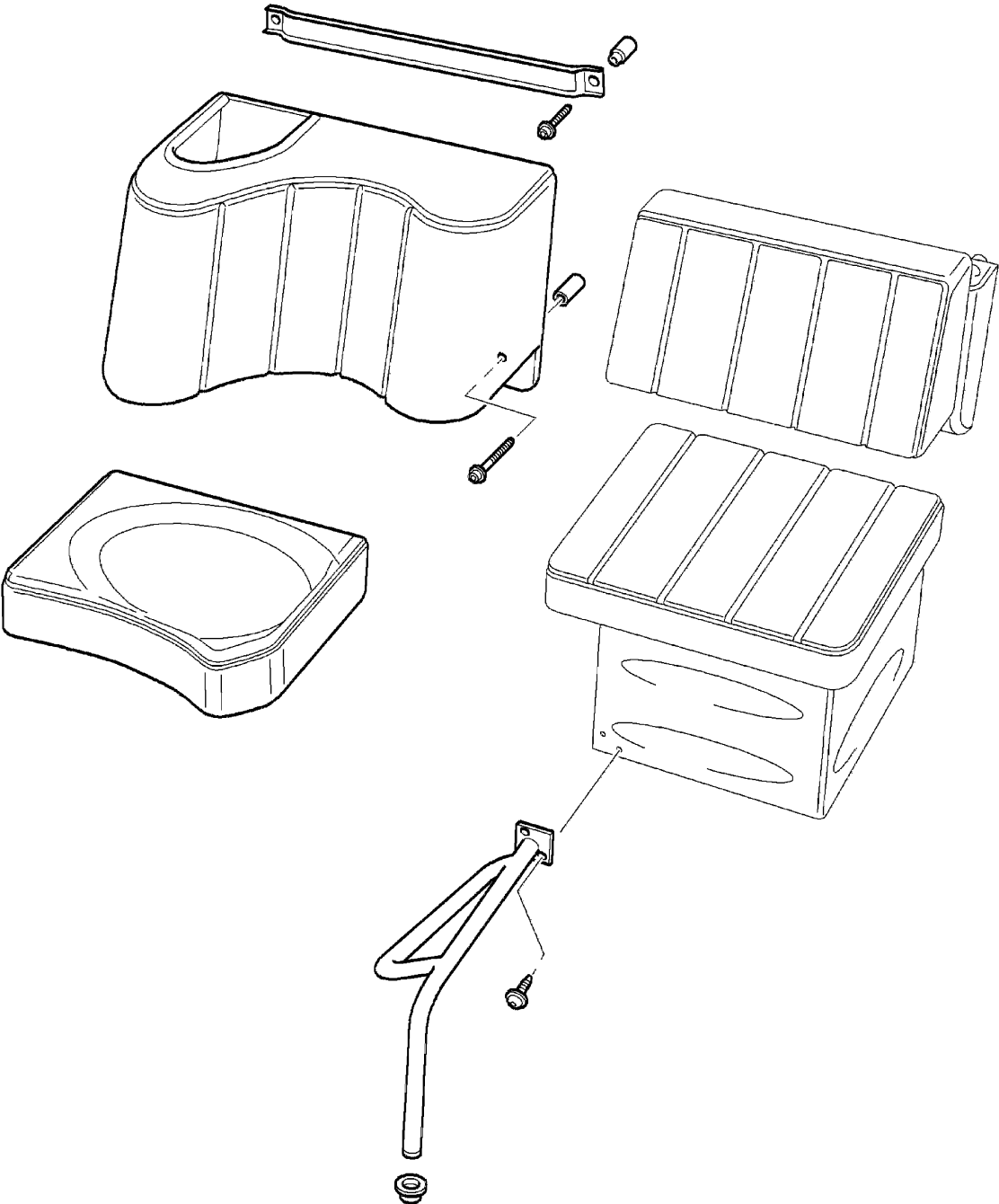
# Passenger seat, double

CP14 LHD



121 434

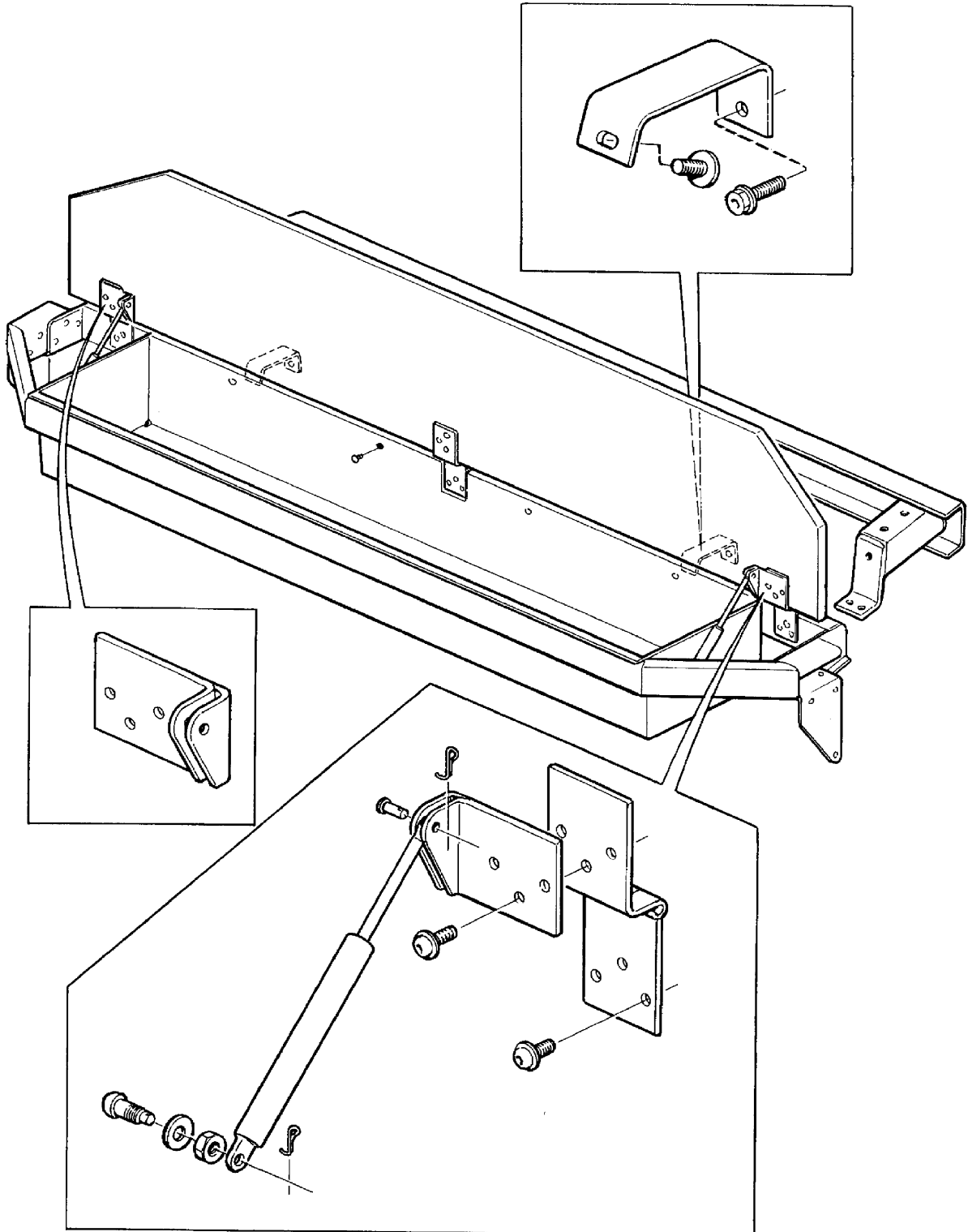
CP14 RHD



121 435

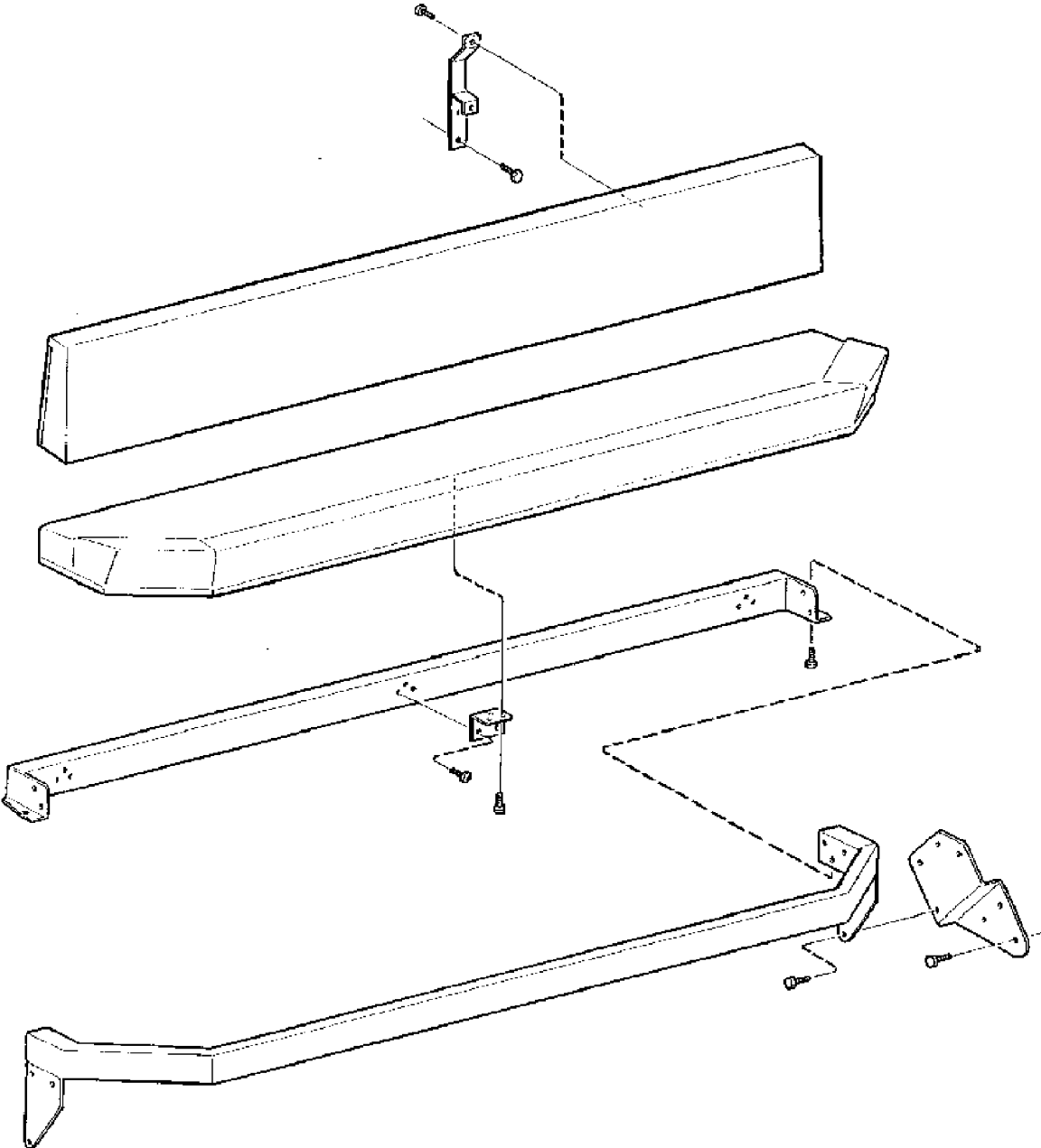
# Passenger seat, rear

## CREW CAB



121 436

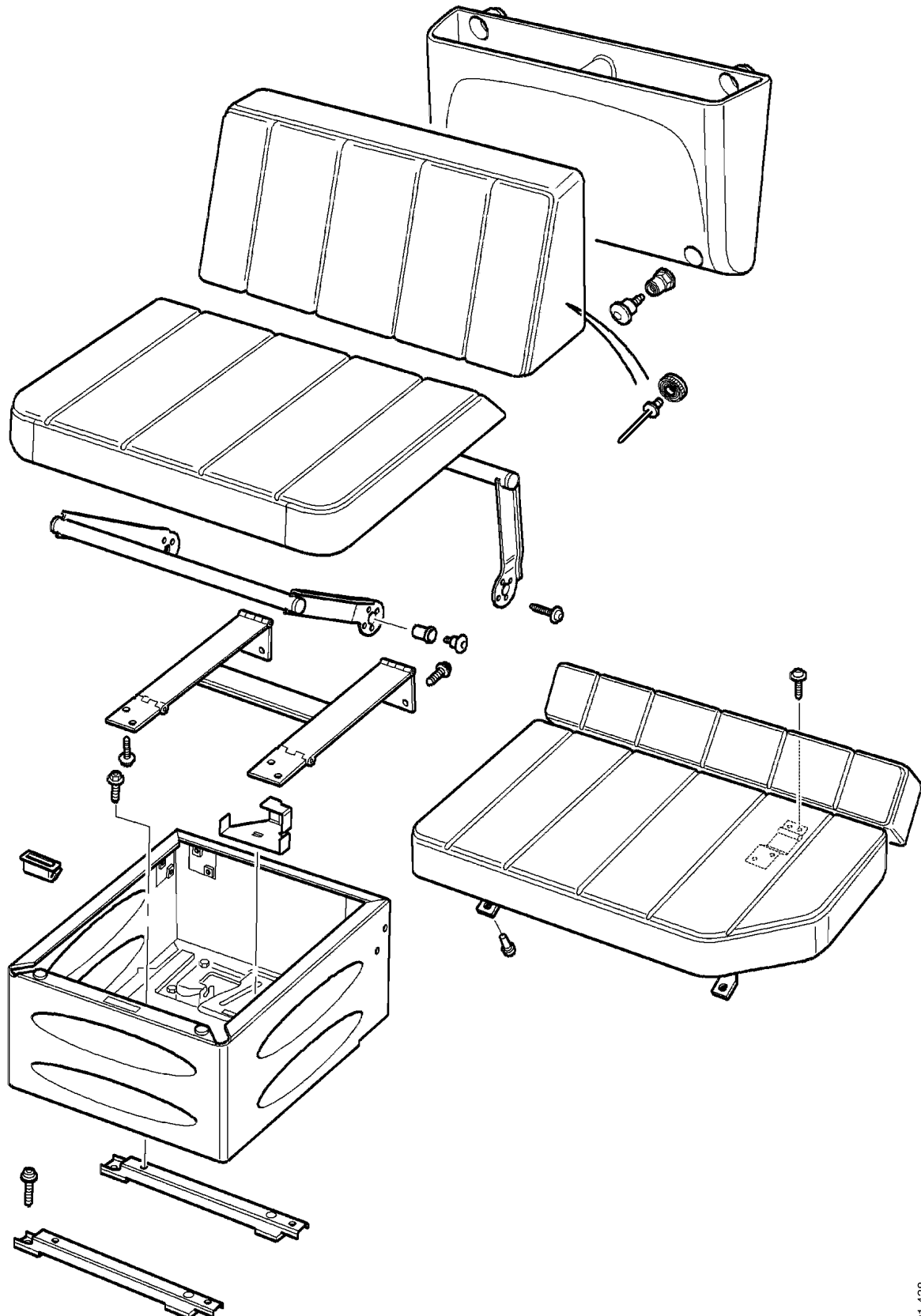
# CP19F Frontline



121 437

# Rest break equipment

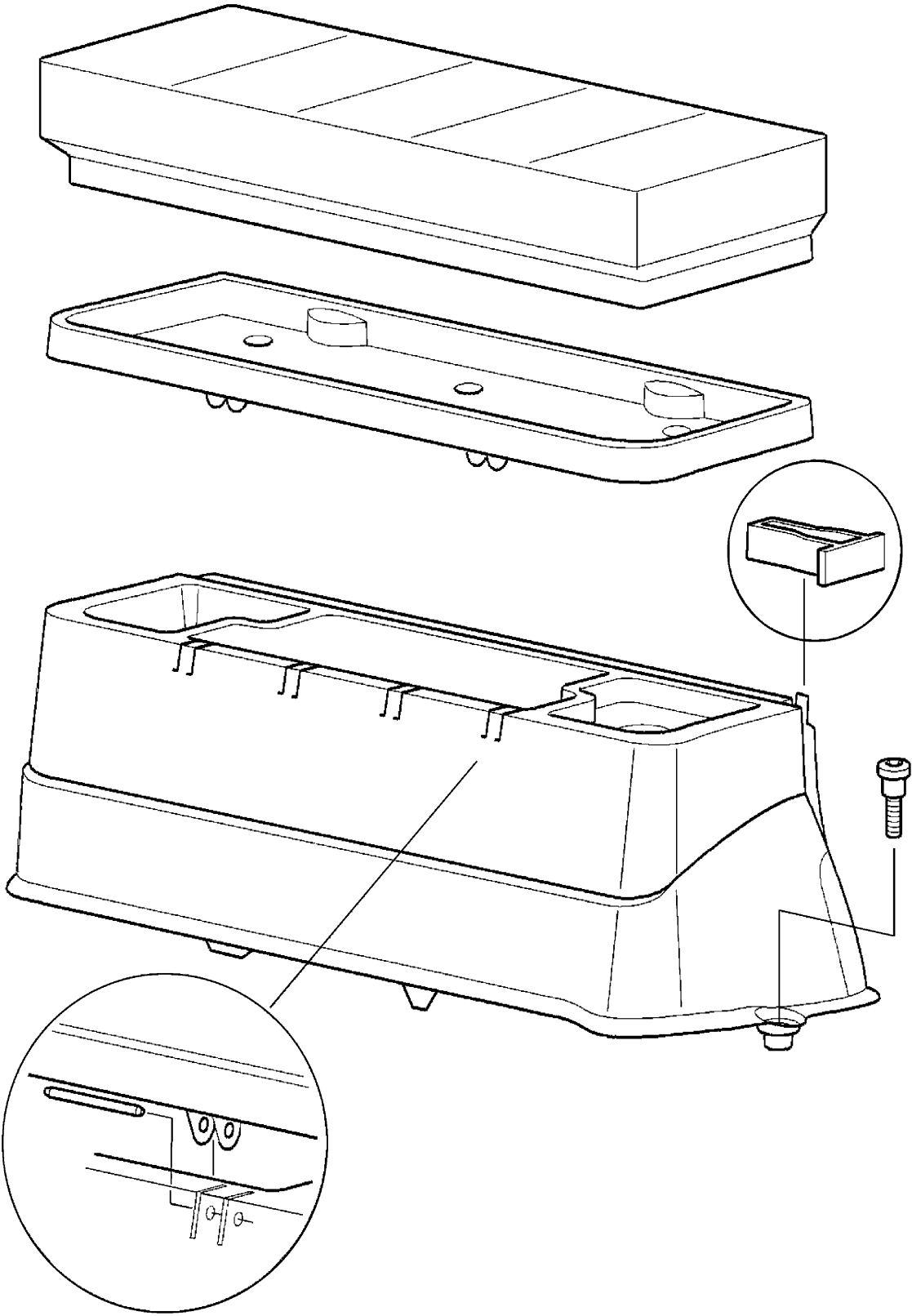
## CP14



121 438



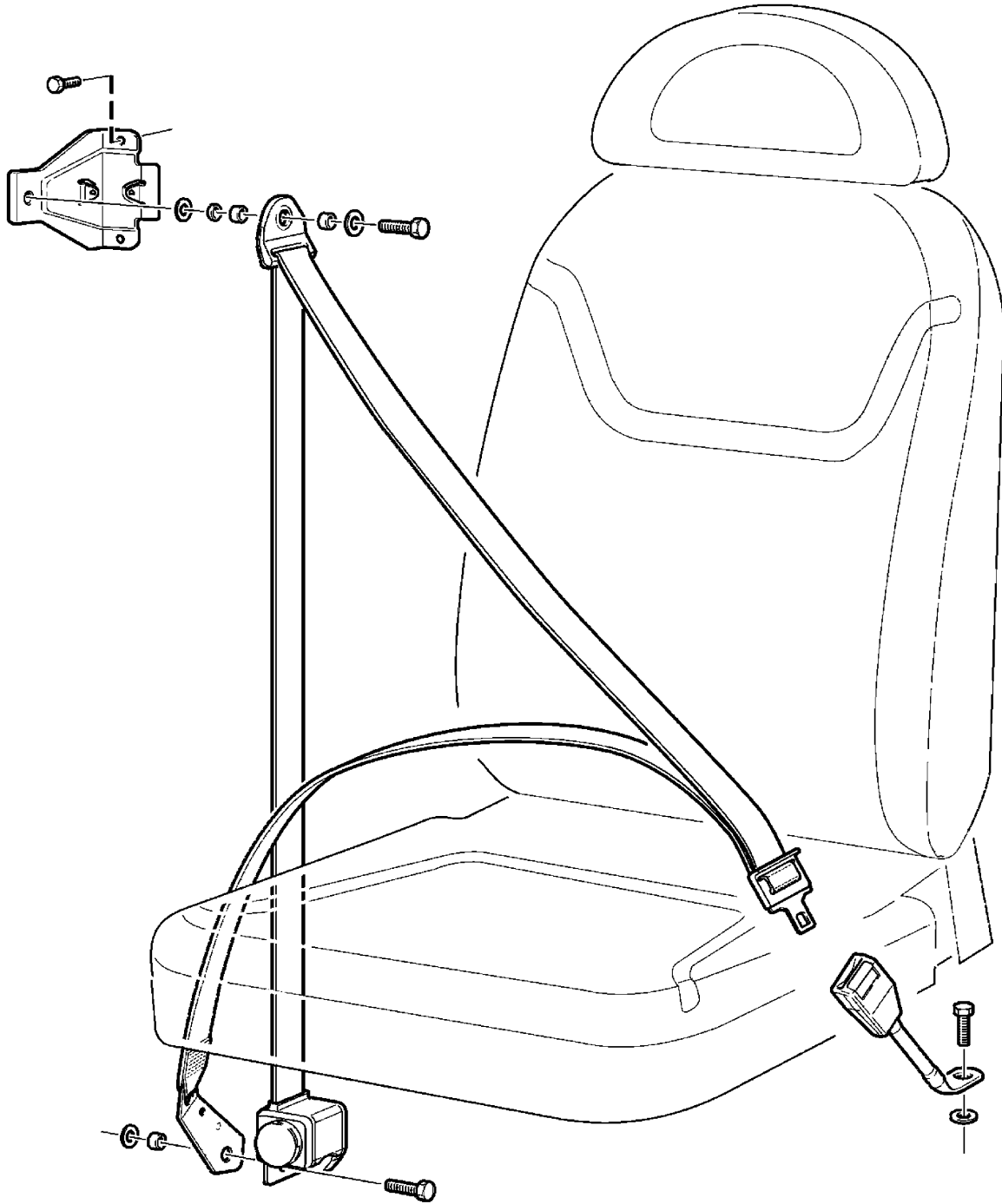




121 441

# Belts

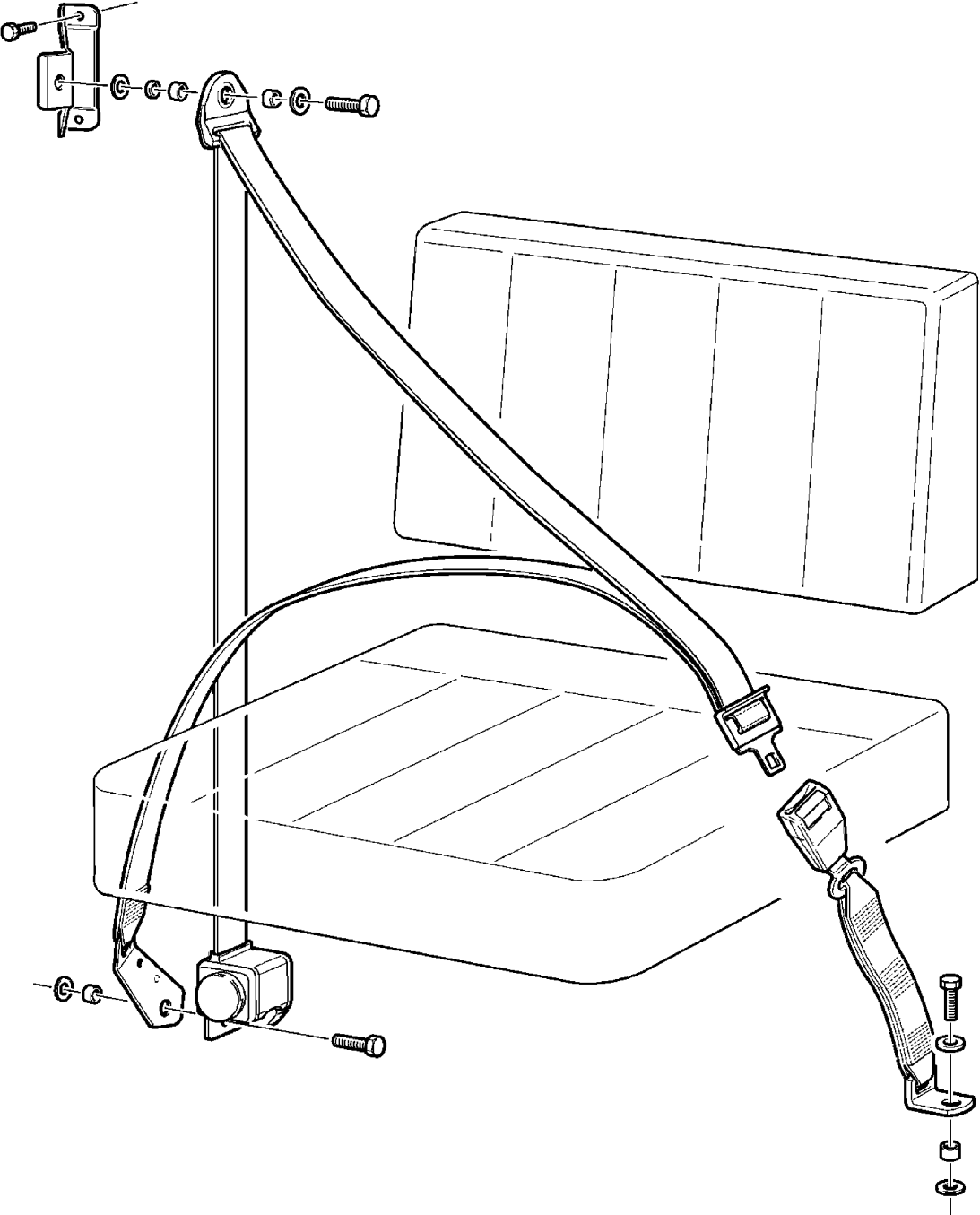
## CR19 Solo



121 442

# Safety belt, passenger seat, single

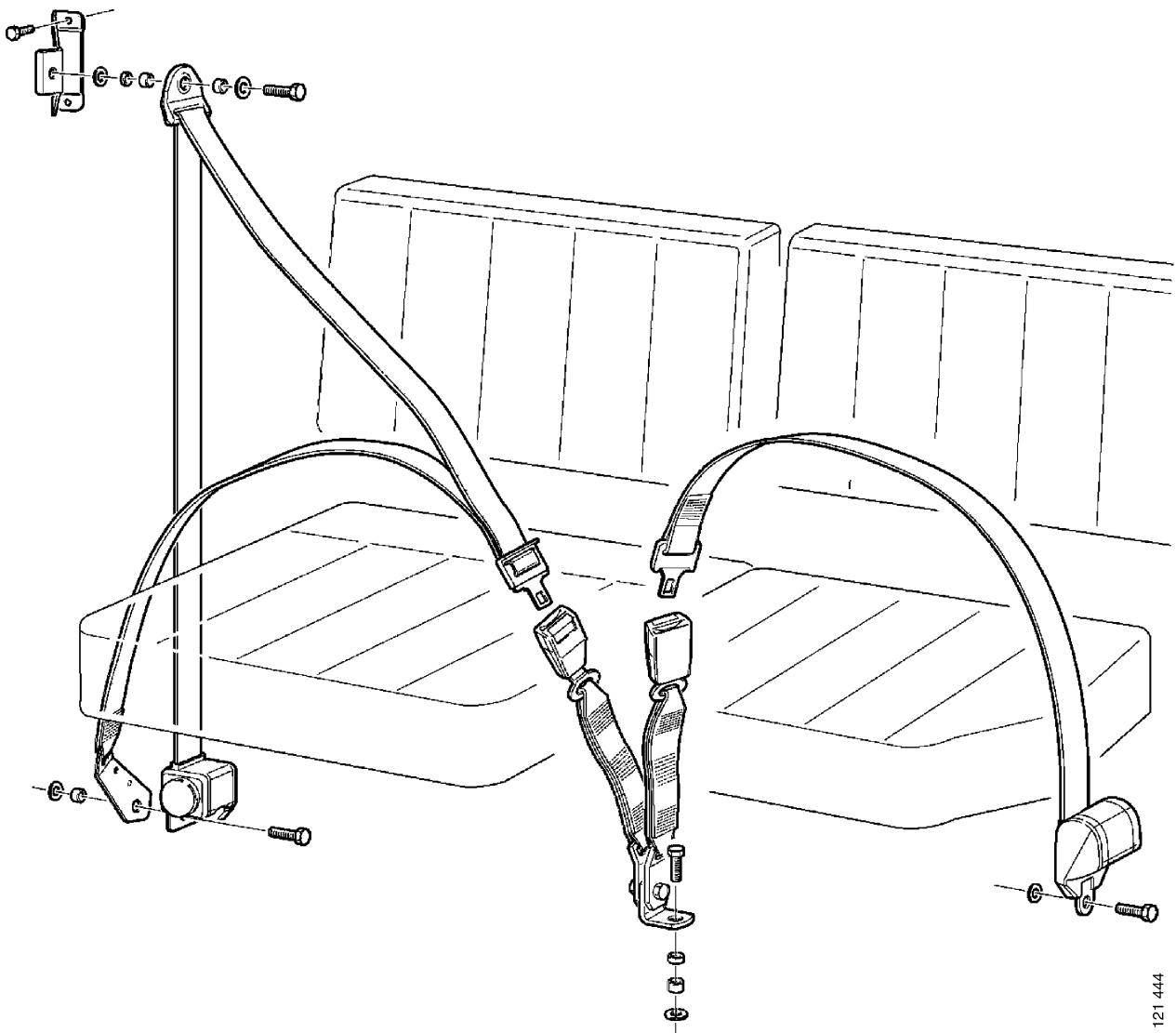
CR14



121 443

# Safety belts, passenger seat, double

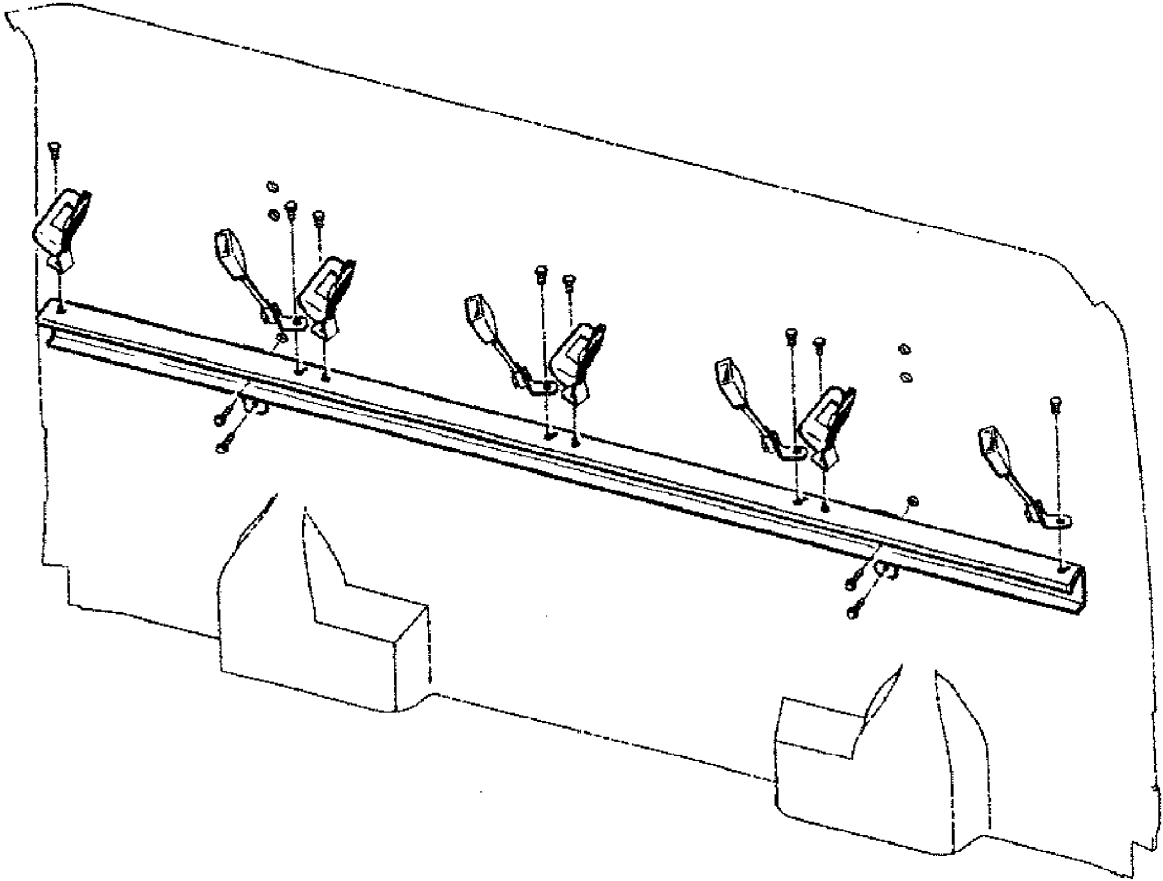
CT14



121 444

# Safety belts, passenger seat

## CP19F Frontline

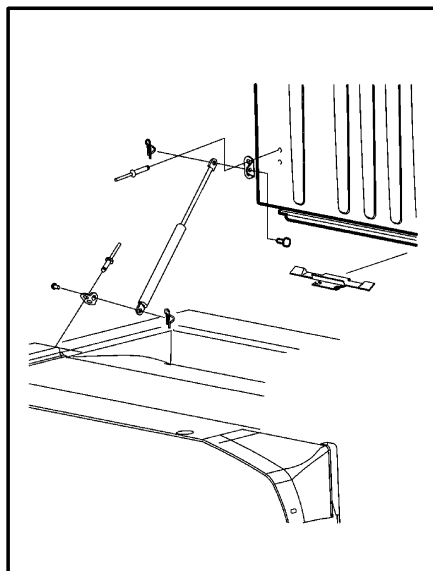
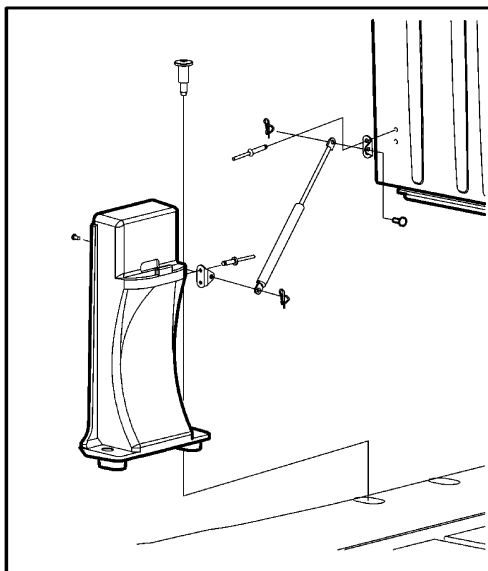
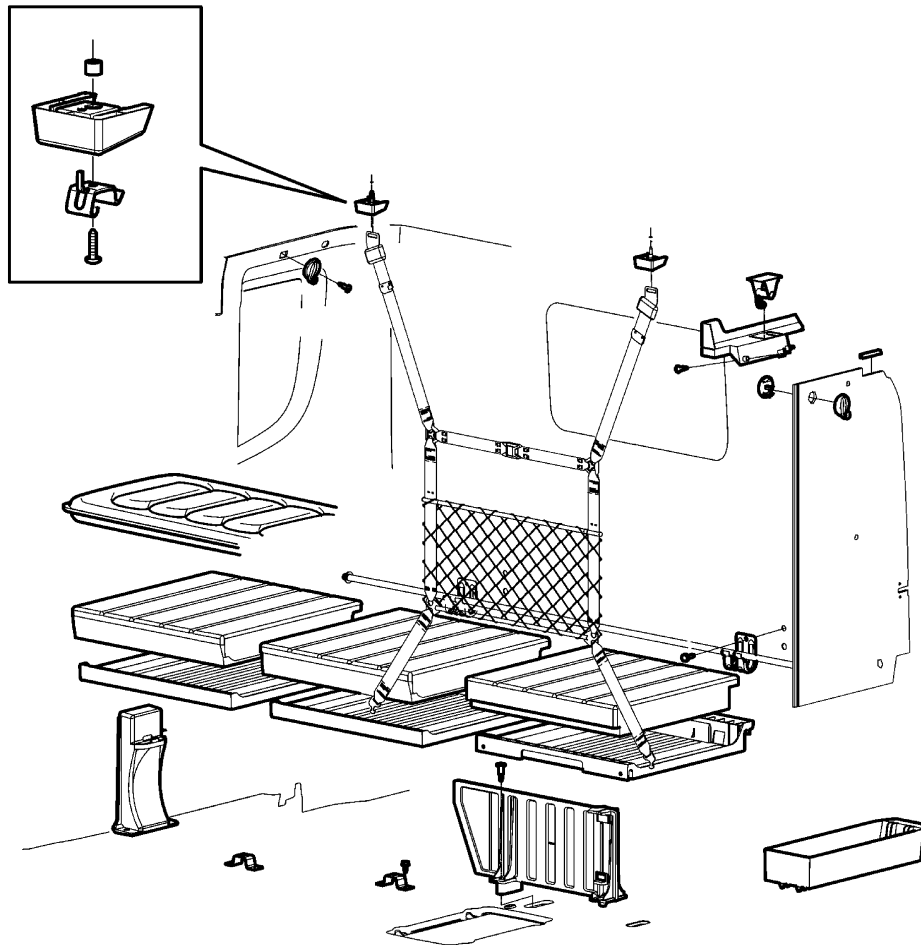


121 445

# Beds

## Lower bed with sliding seat

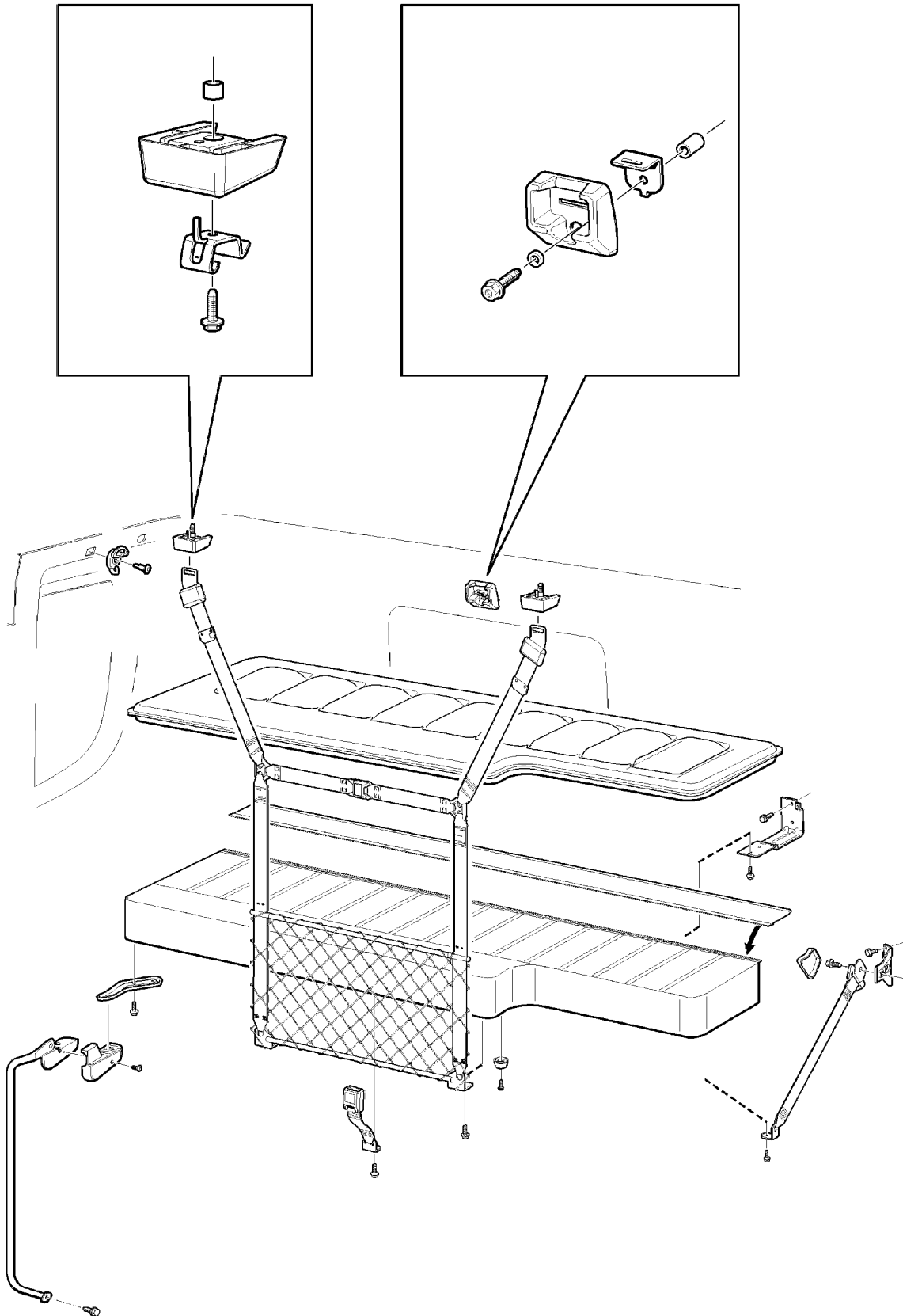
CR19



121 446

# Raised lower bed

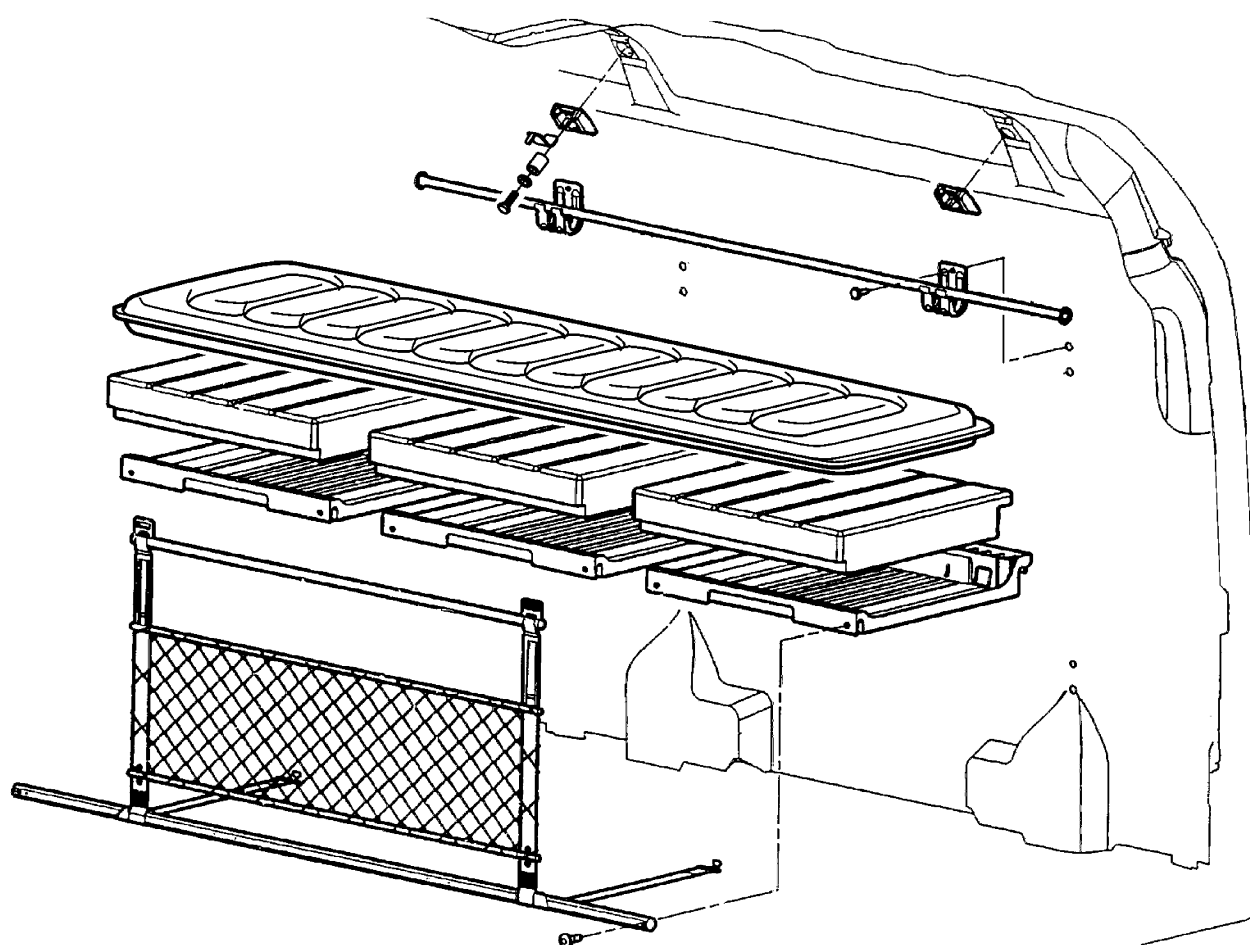
## CR19 and Topline



121 447

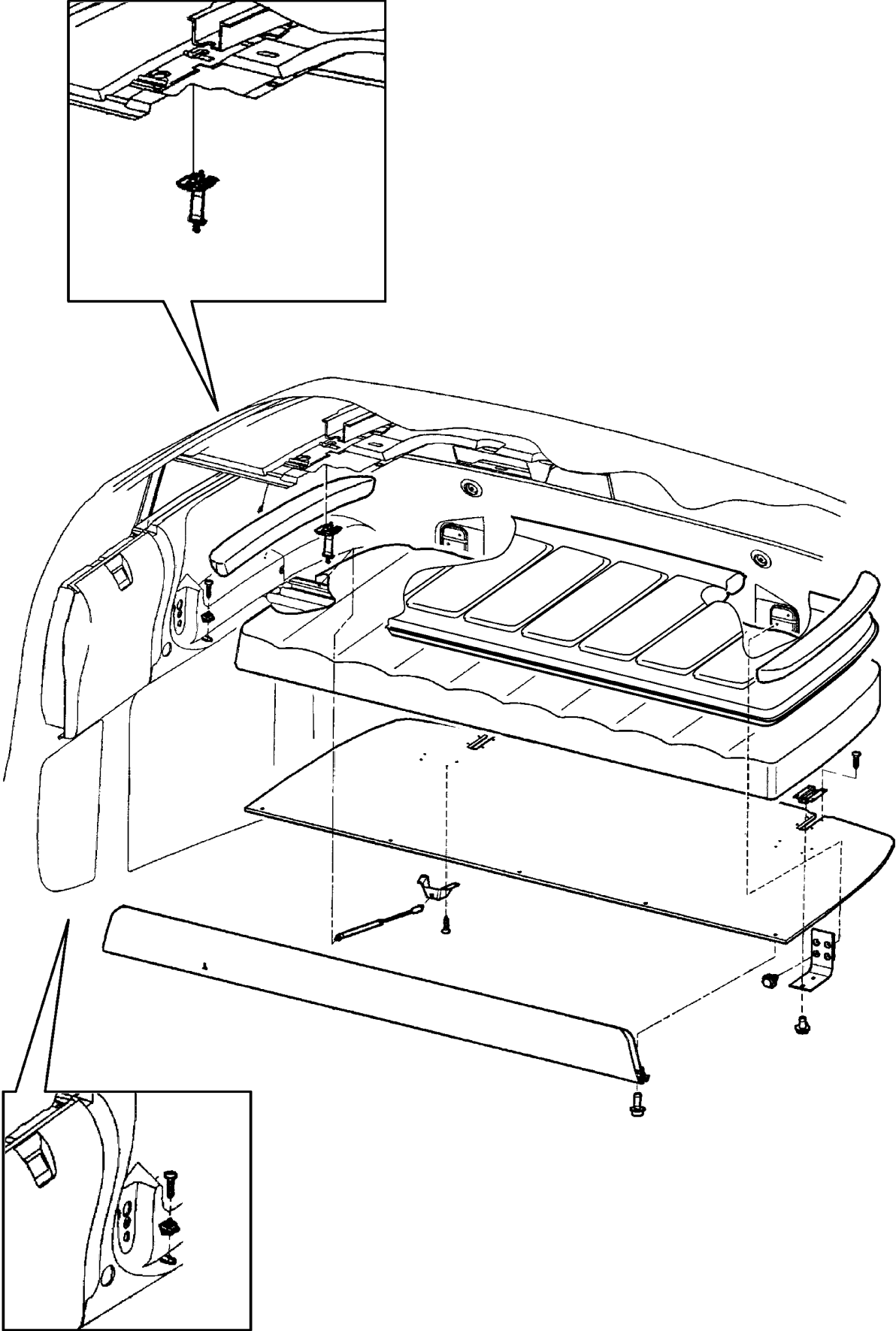
# Upper bed

CR/CT19



121 448

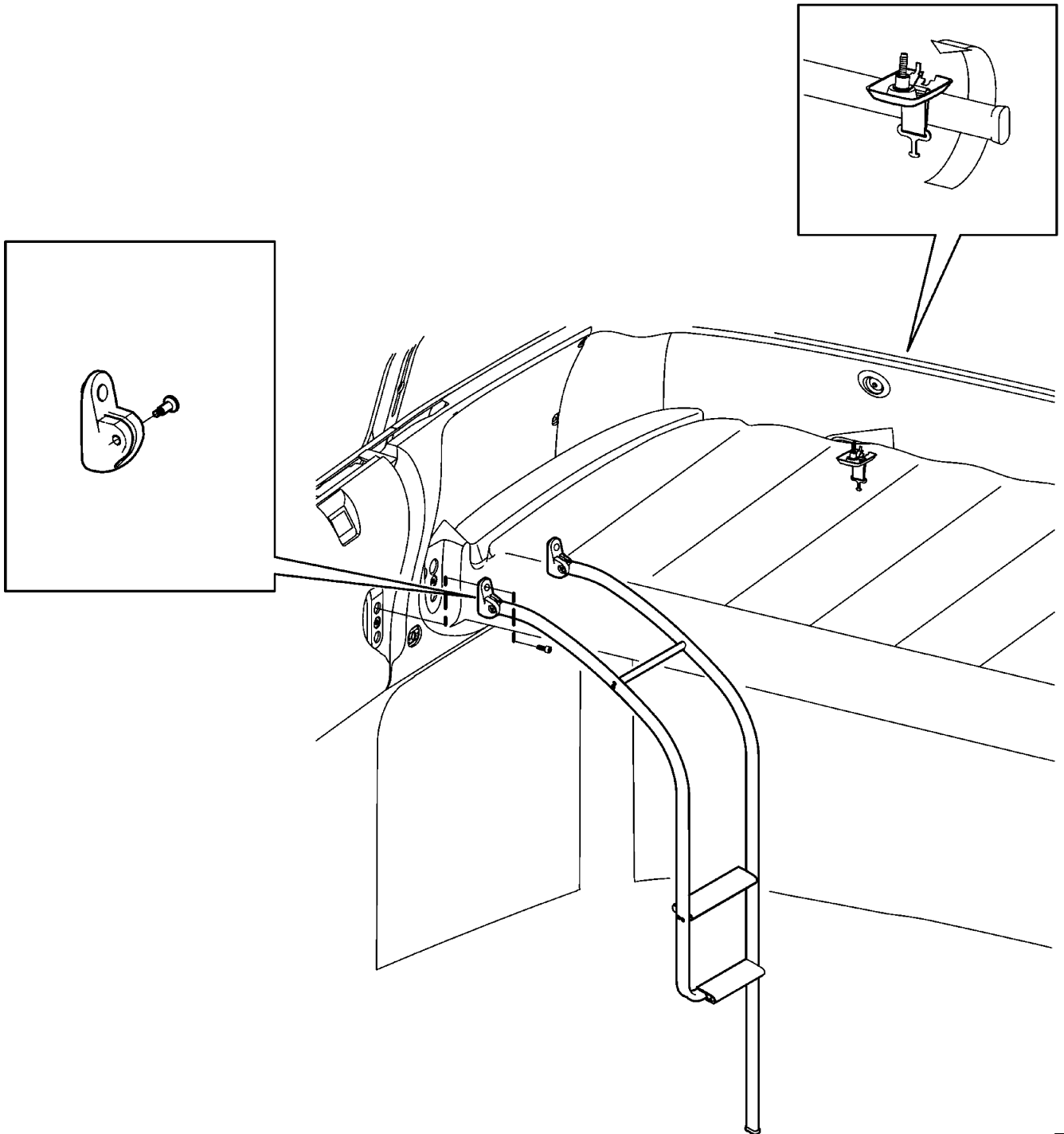
# Topline



121.450

# Ladder

## Topline

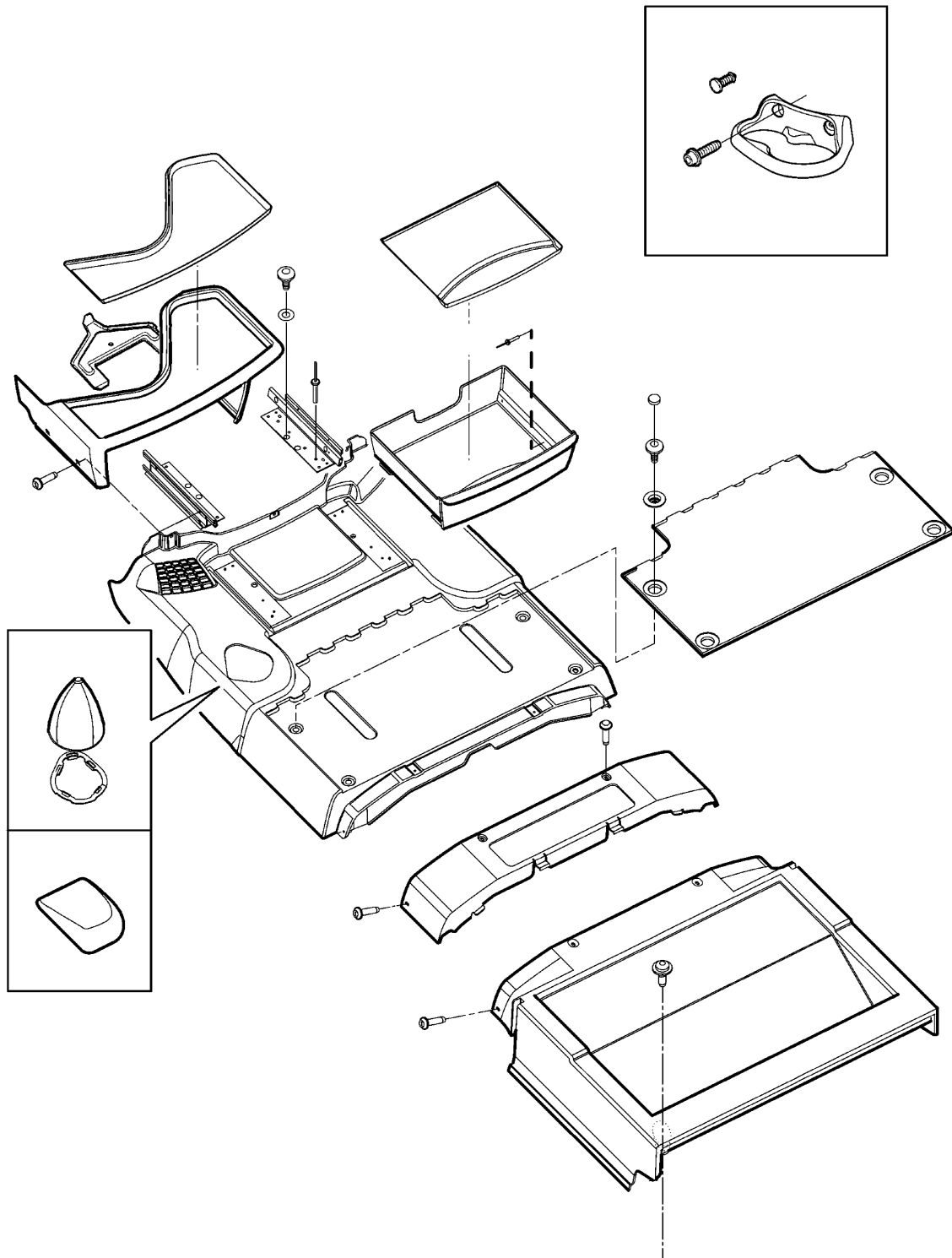


121 451

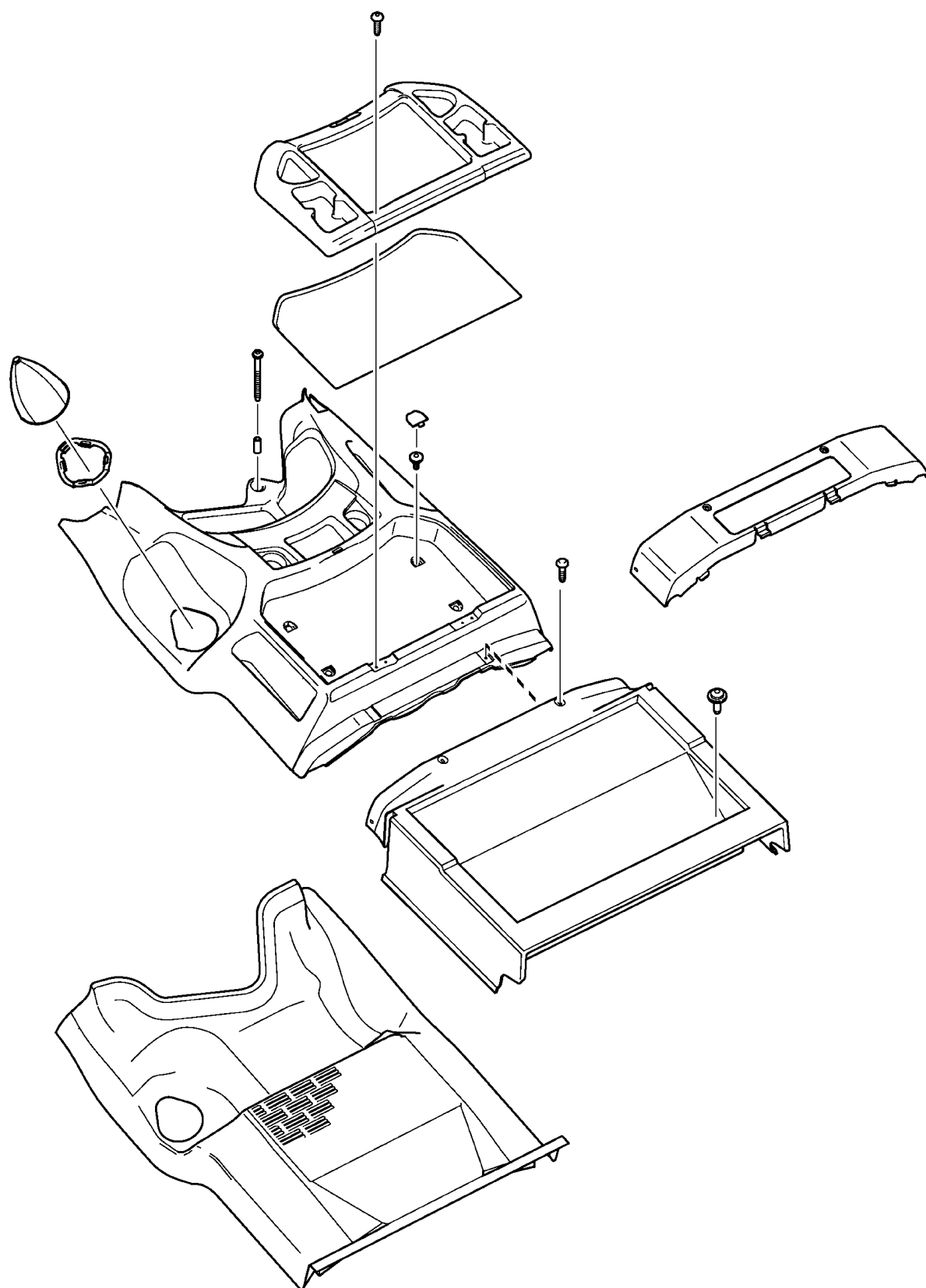
# Centre console, storage boxes

## Storage box, panel

CR



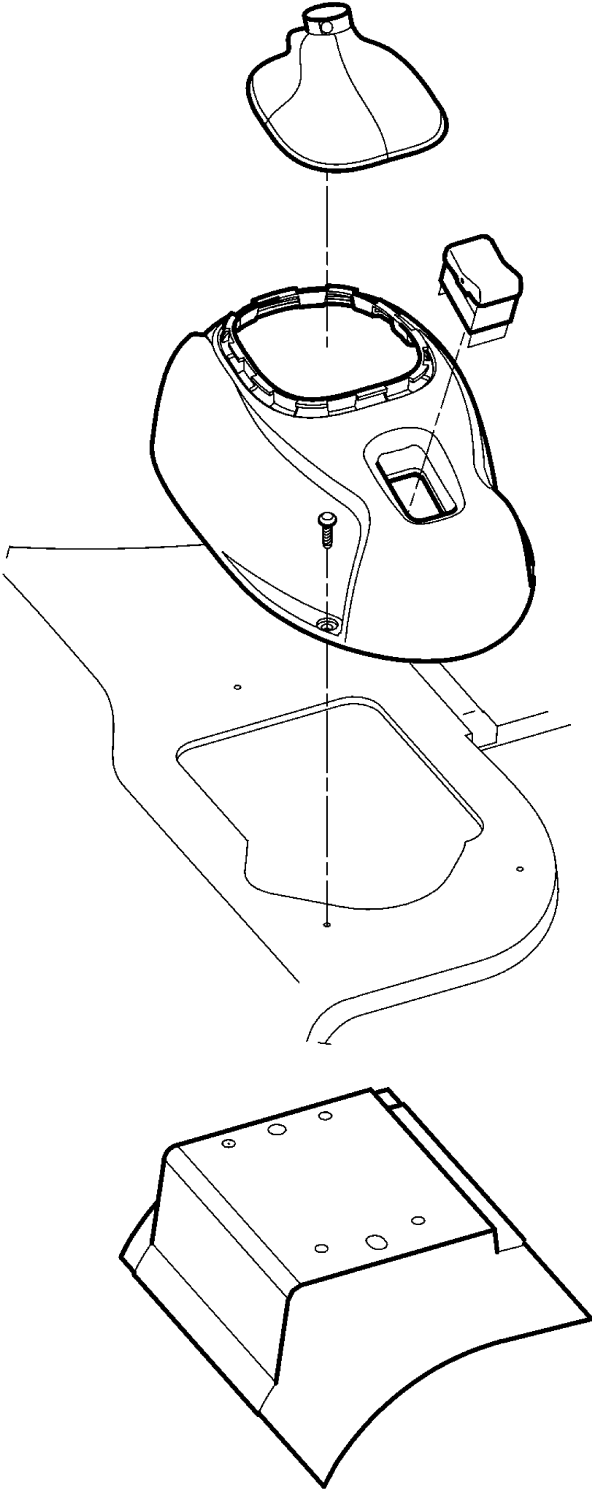
CP



121 453

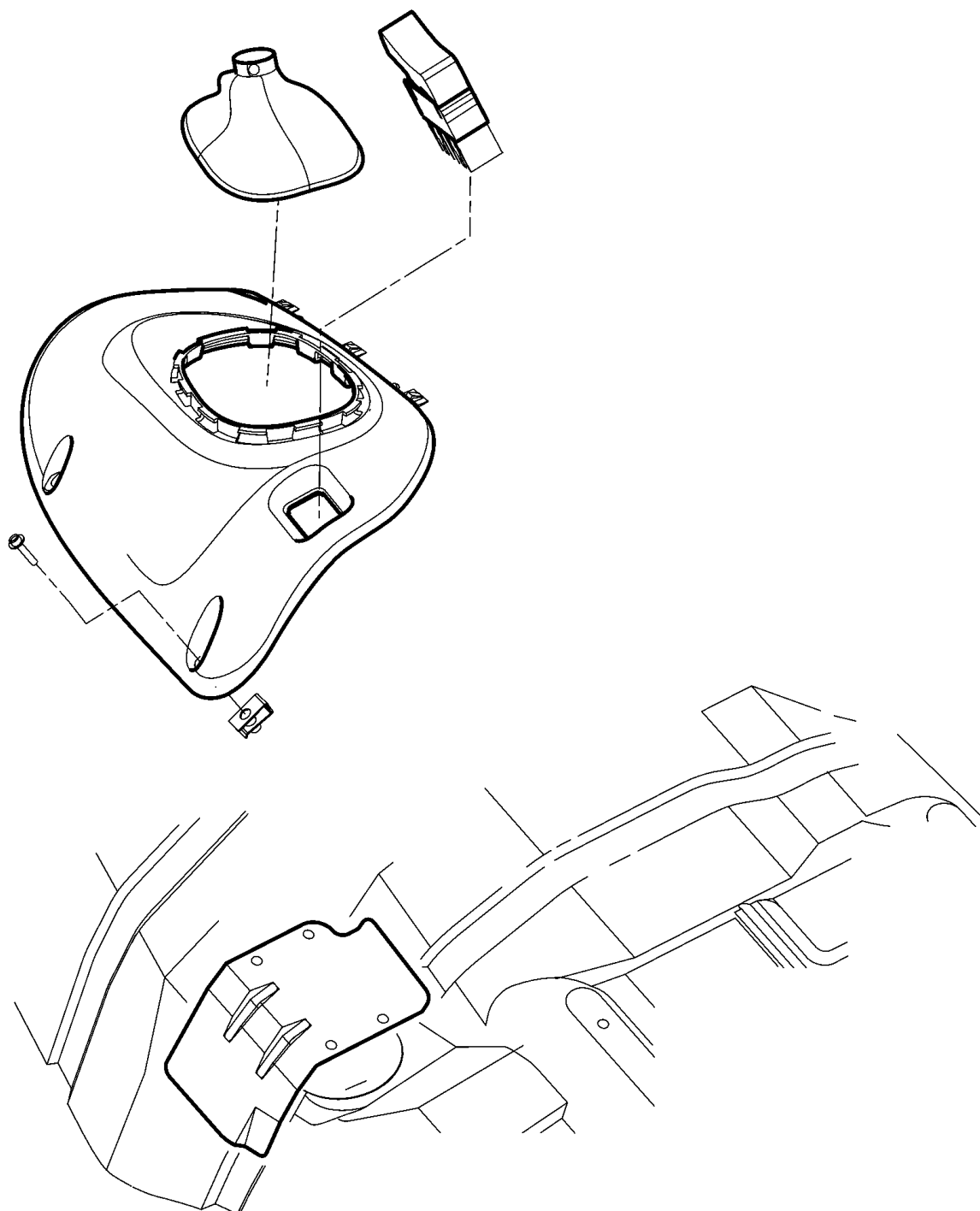
# Panel, gear selector

CR, Opticruise



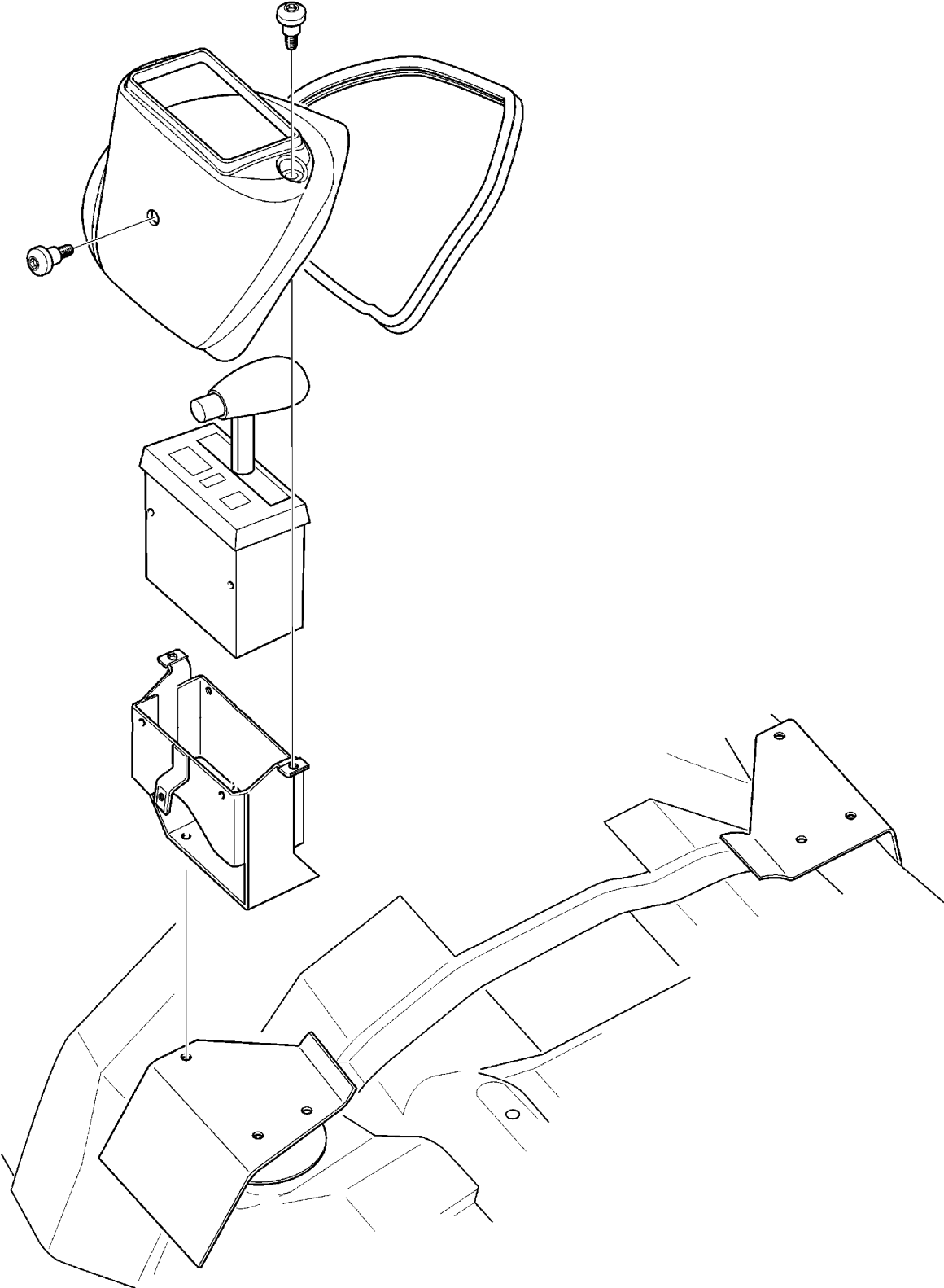
121 454

# CP, Opticruise



121 455

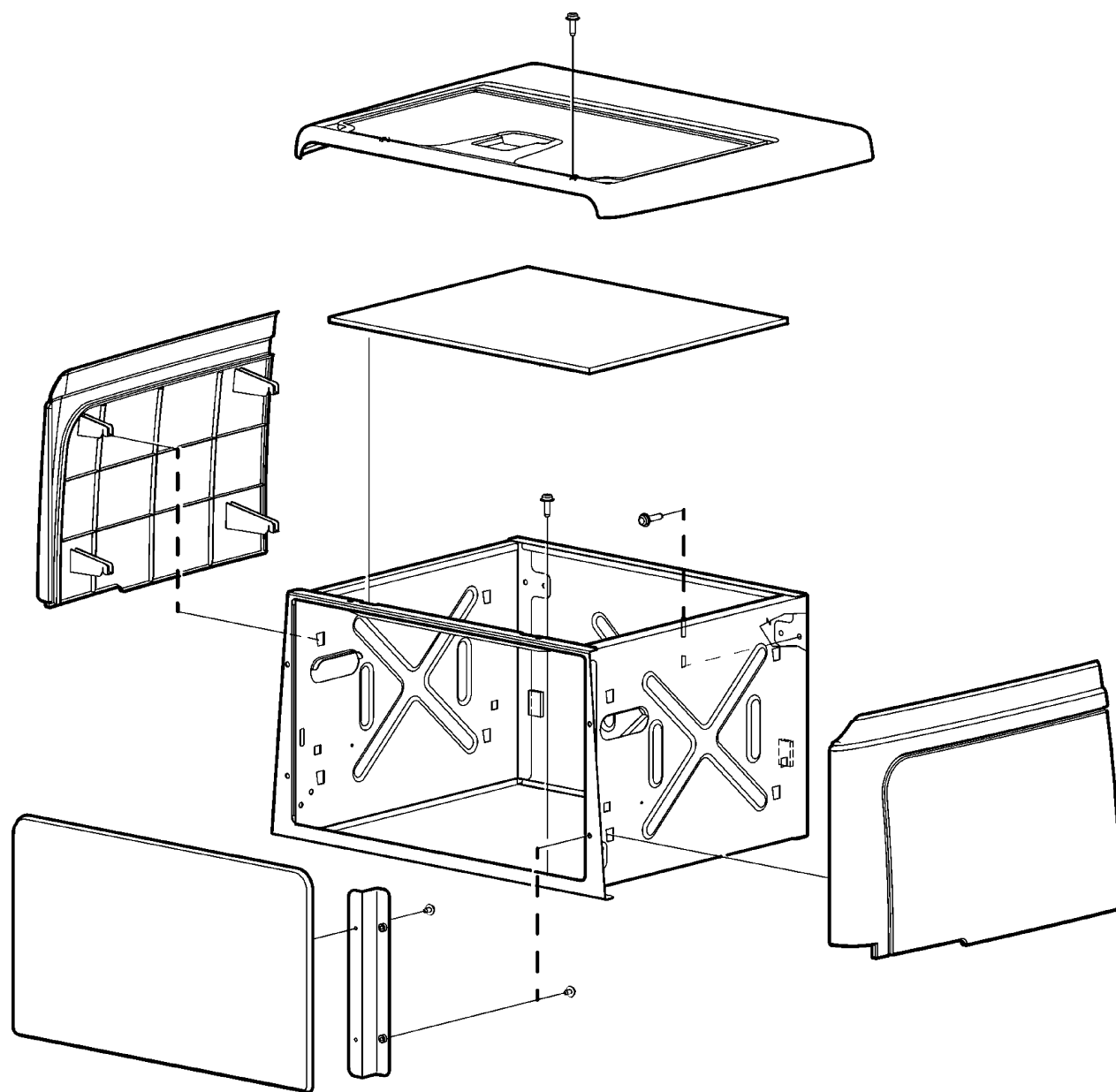
**GA750/751**



121 456

# Storage box

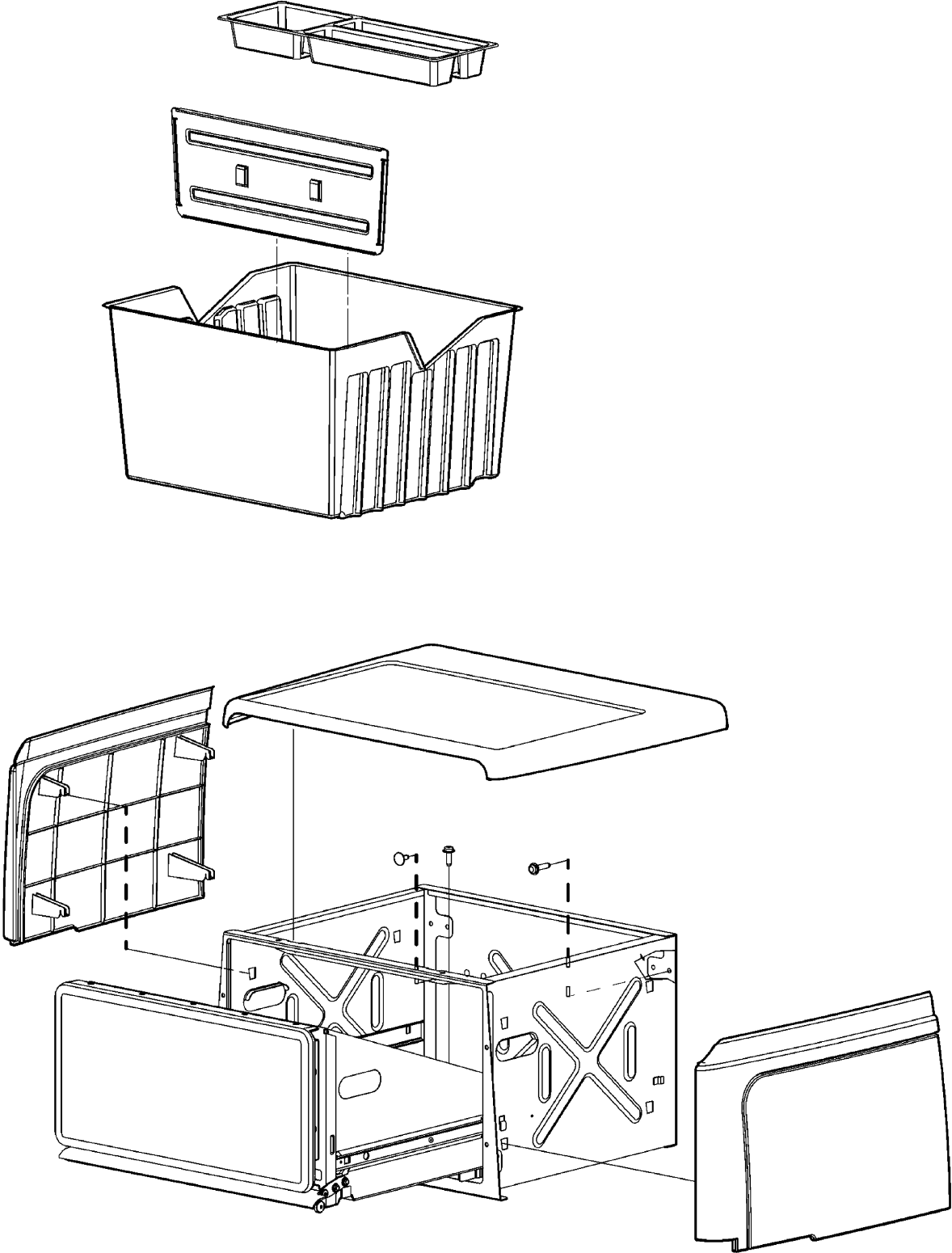
CR19



121 457

# Storage box, mounting parts

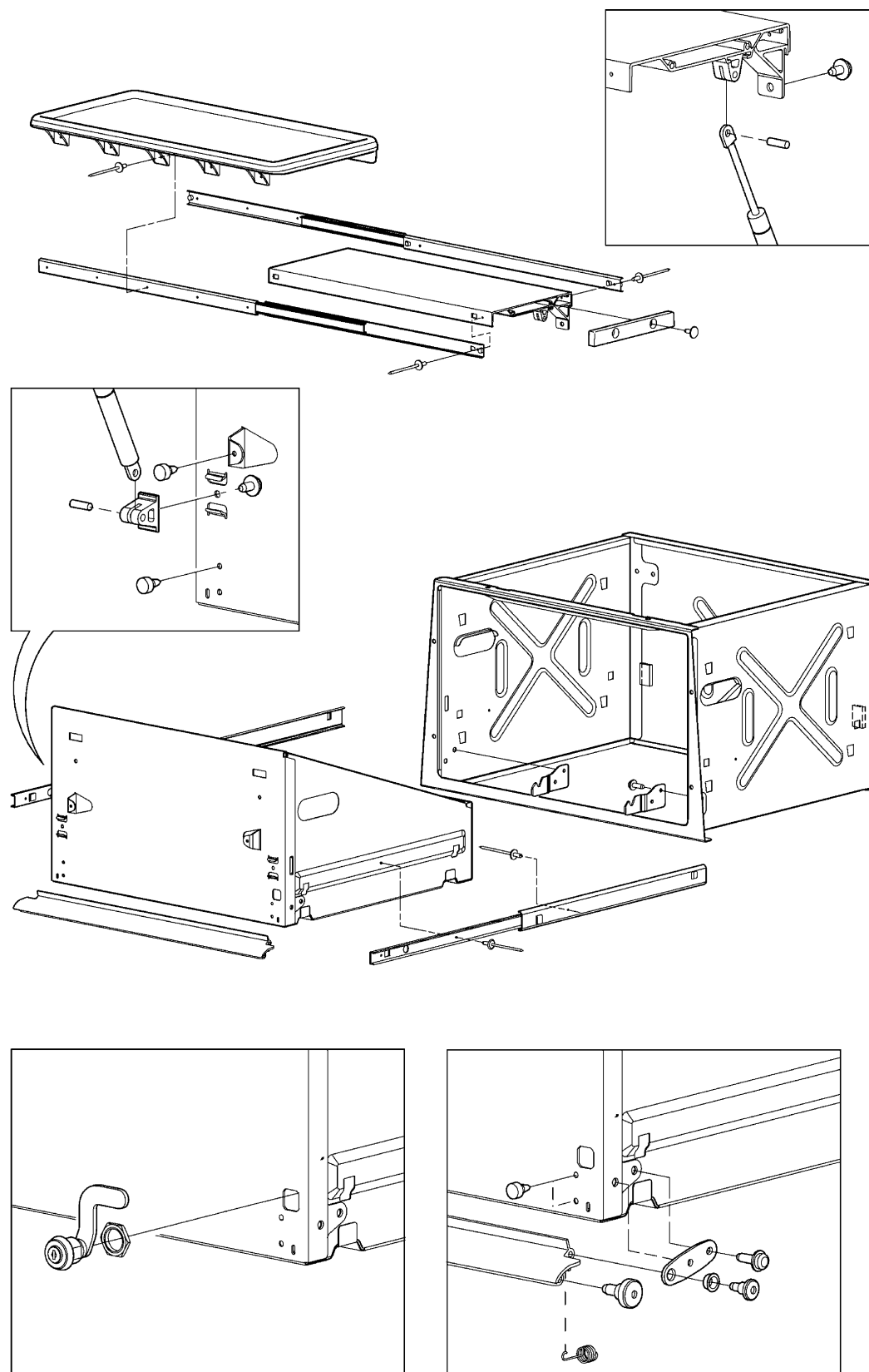
CR19/CR19T



122.864

# Storage box

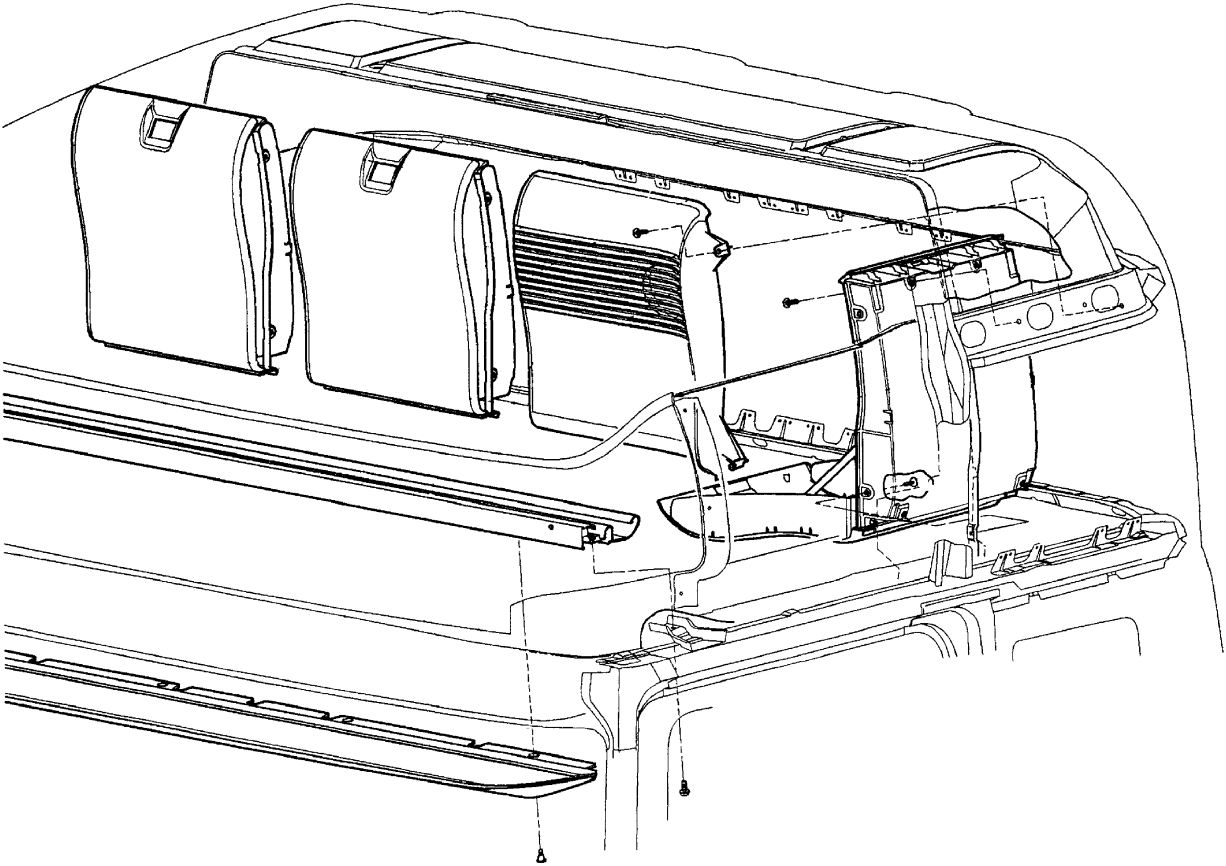
CR19/CR19T



121 459

# Storage compartments

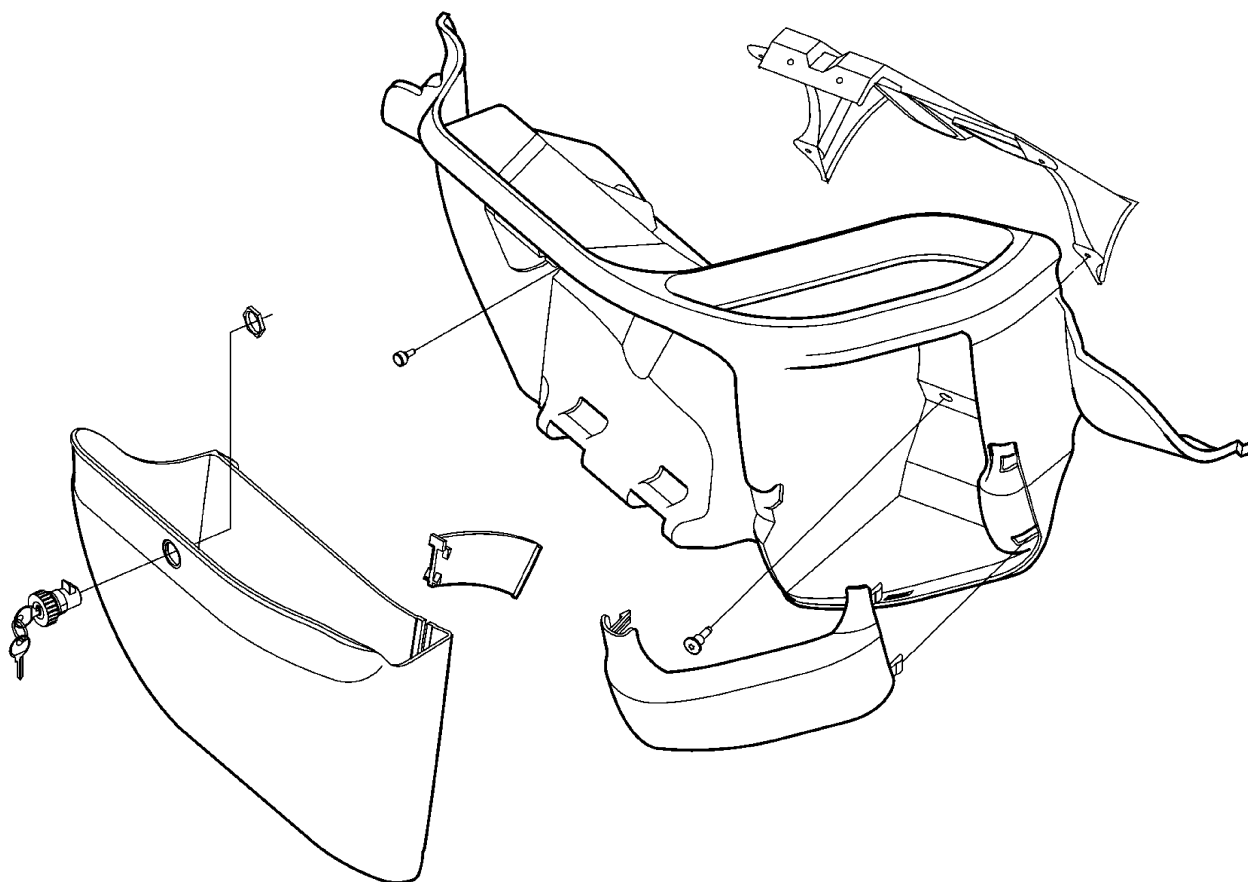
## Topline



121 460

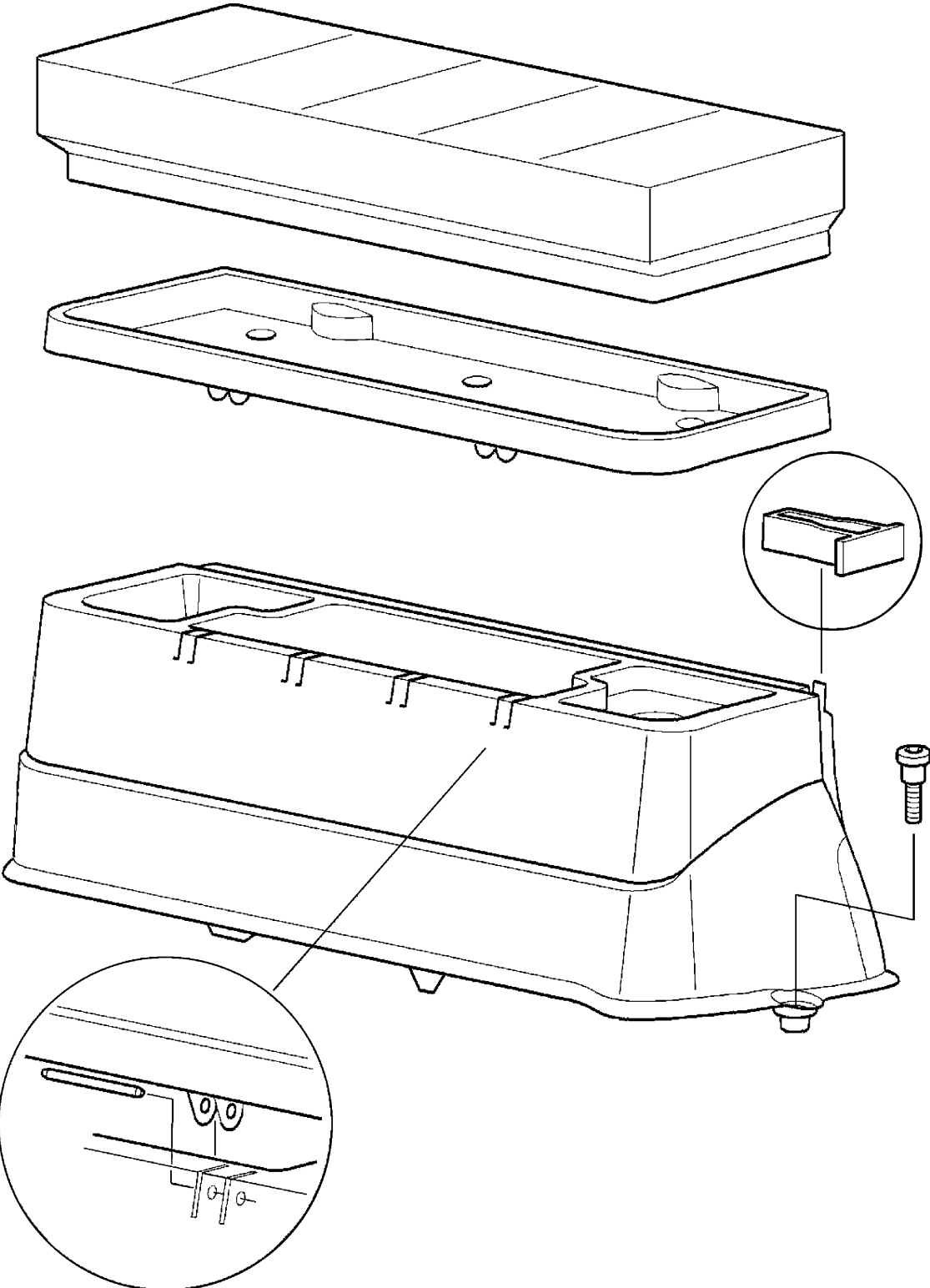
# Storage box

CT, LHD



121 461

CT

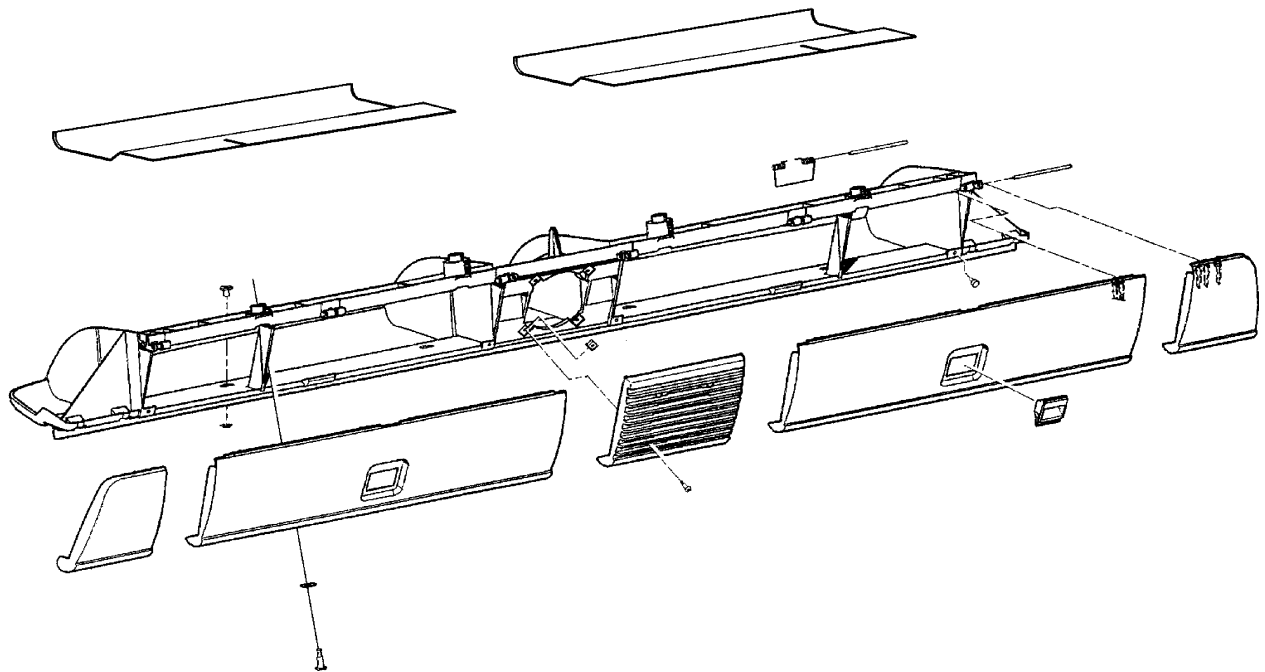


121 462

# Radio shelf

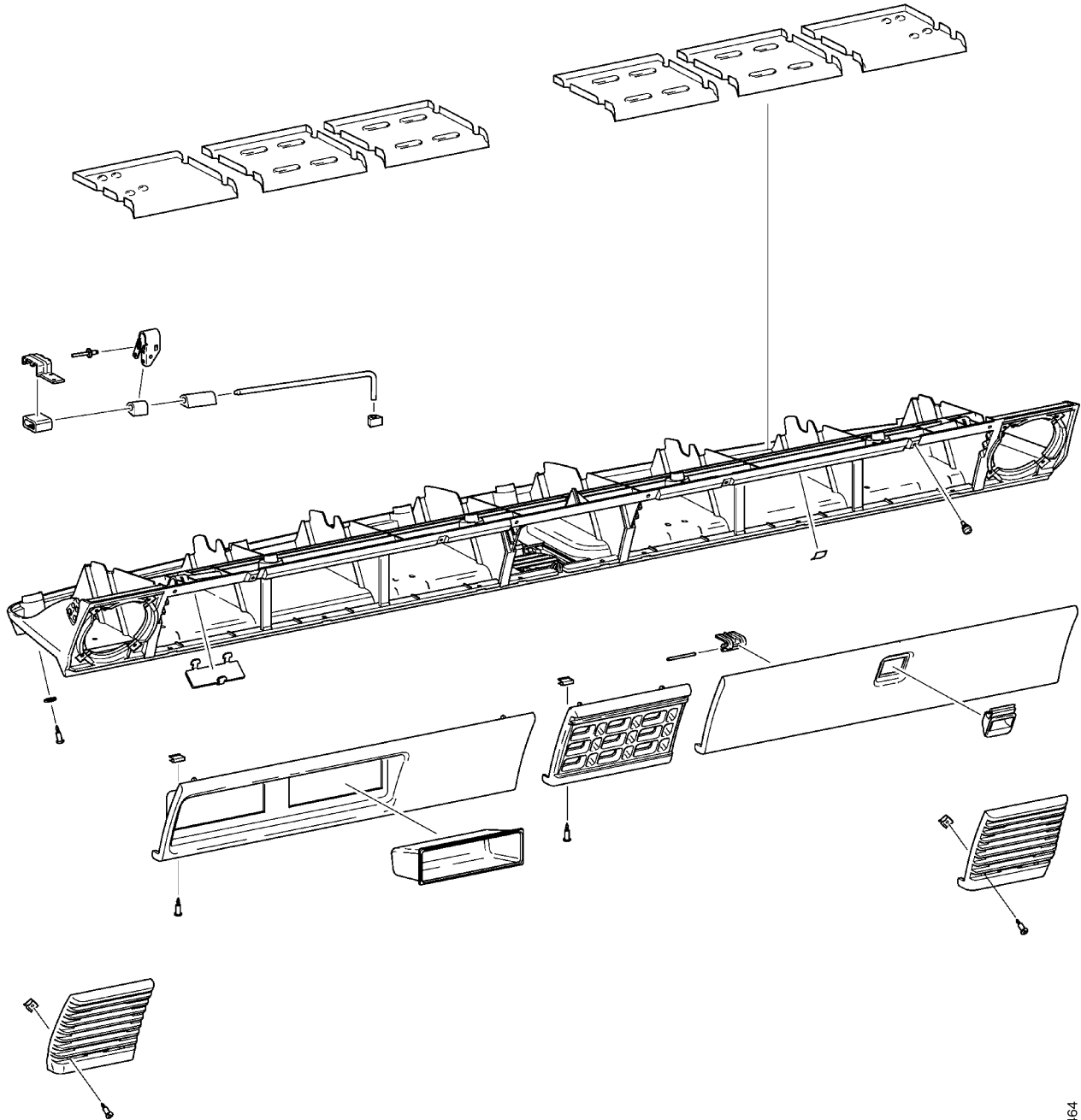
## Shelf, storage compartments

CP/CR/CT19



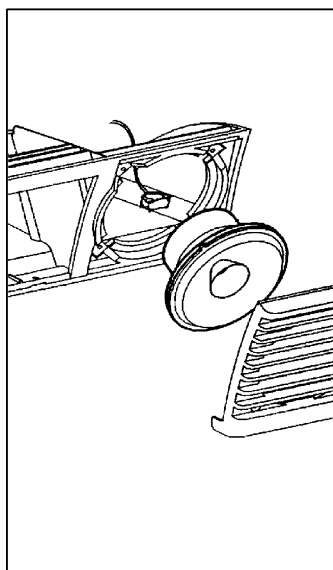
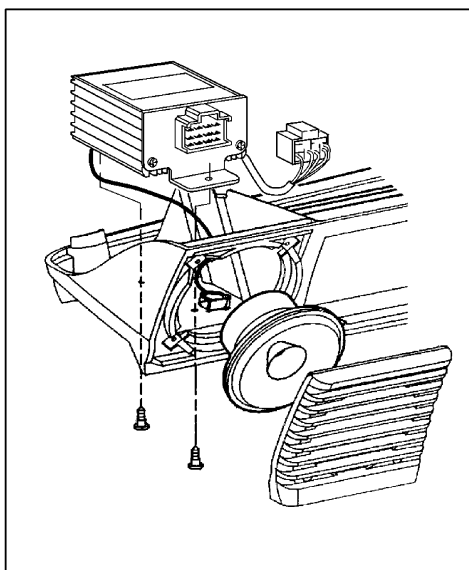
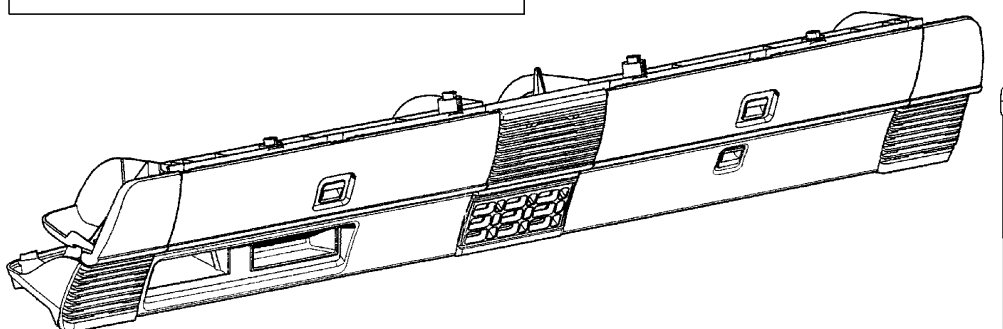
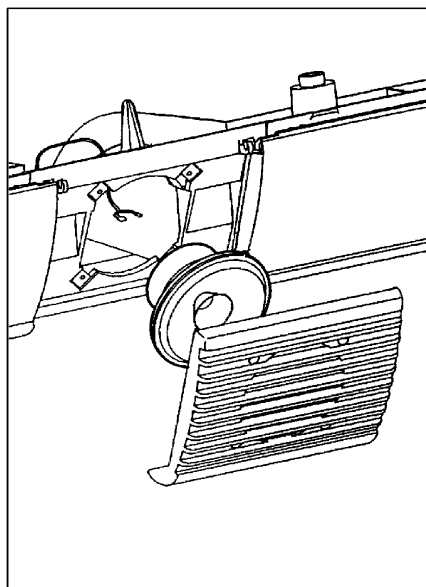
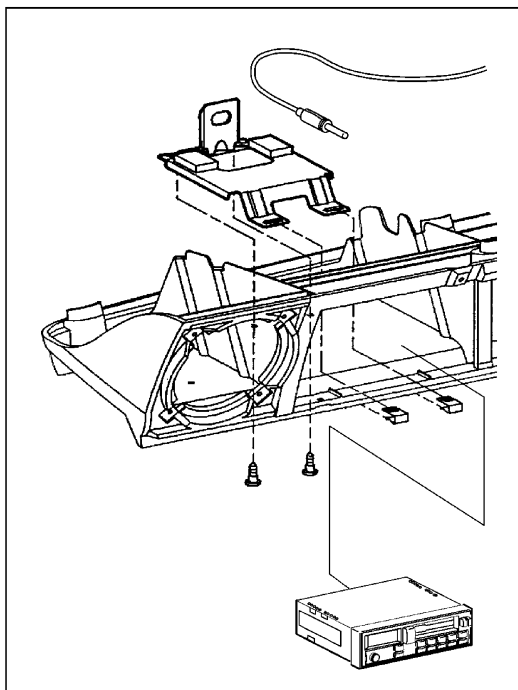
121 463

# Shelf

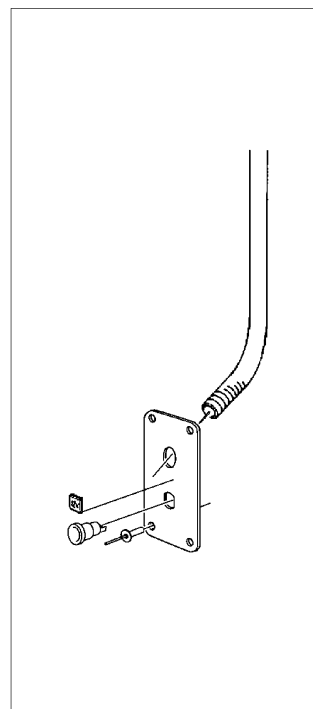
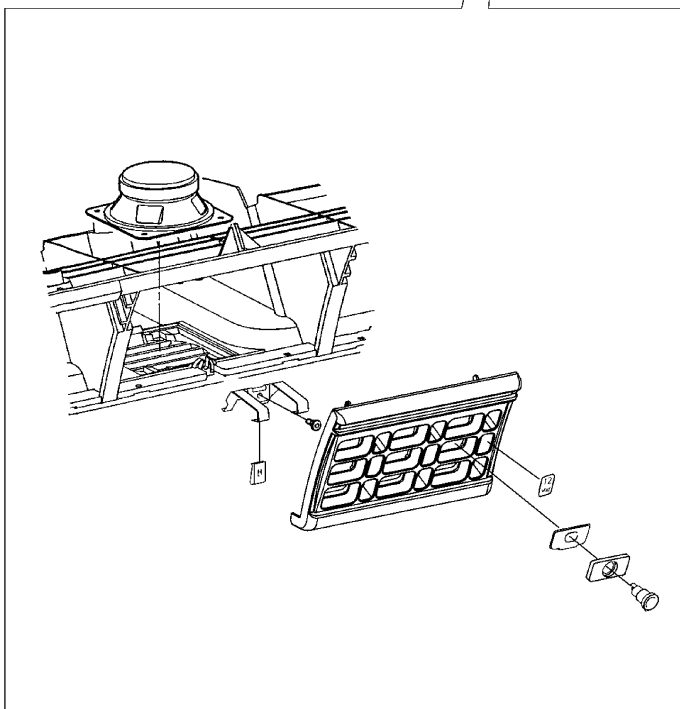
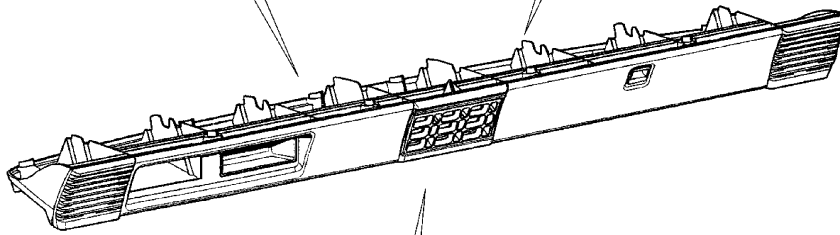
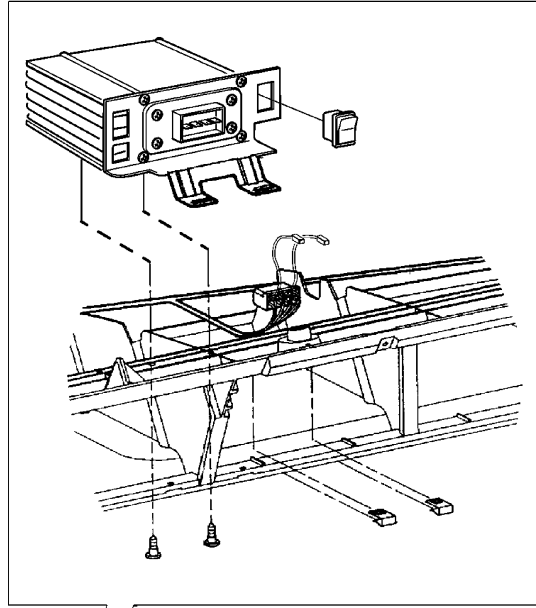
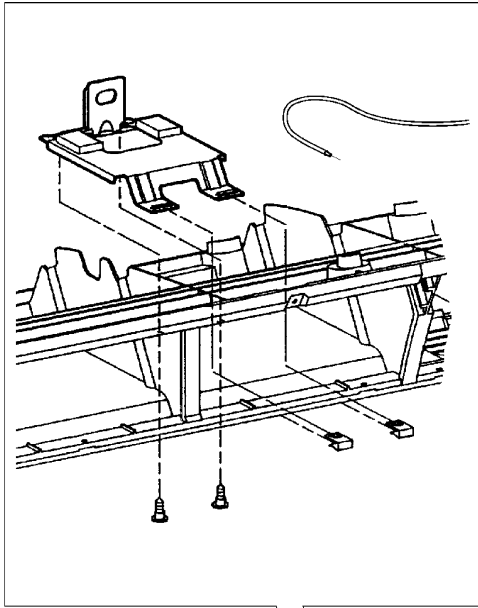


121 464

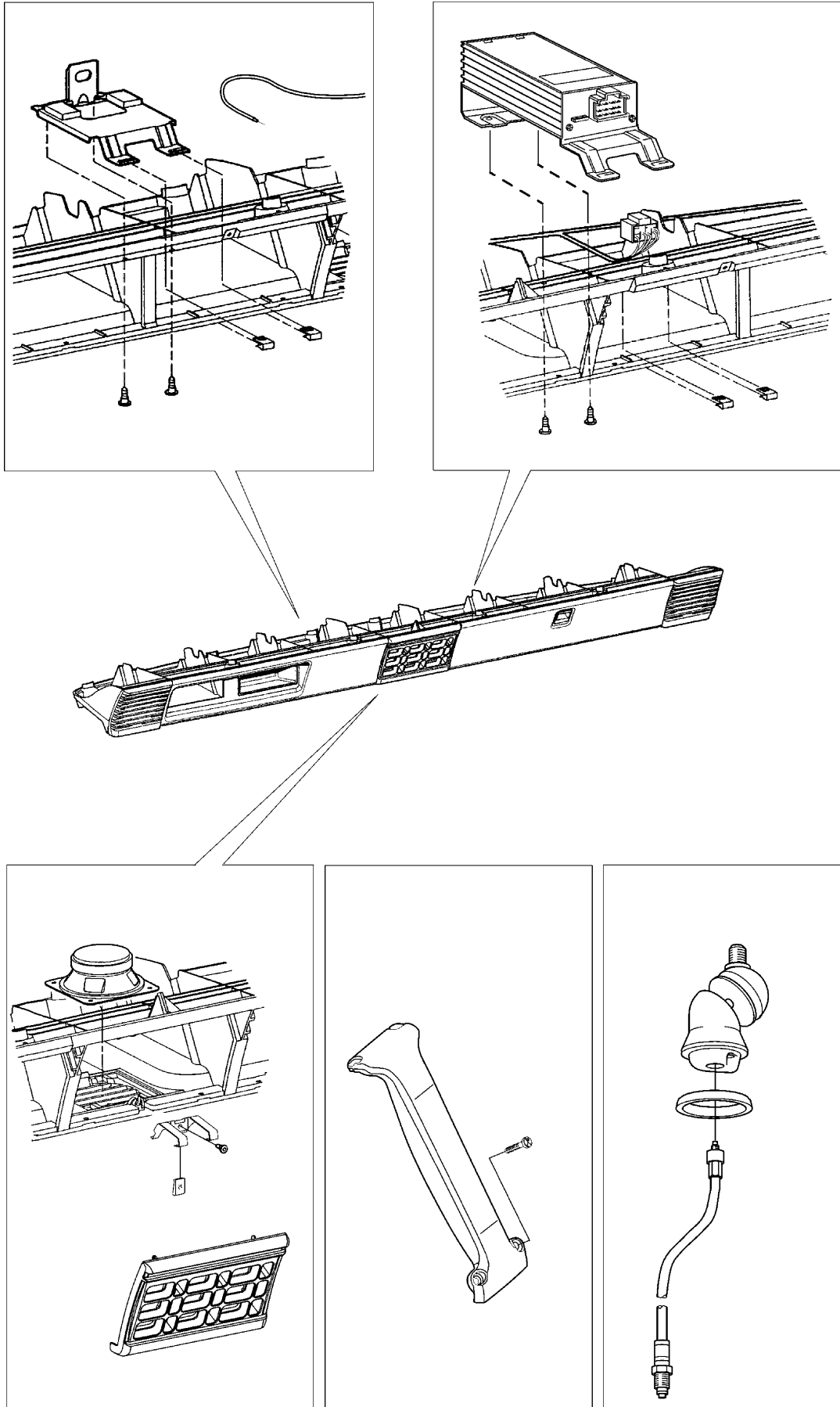
# Radio, mounting parts



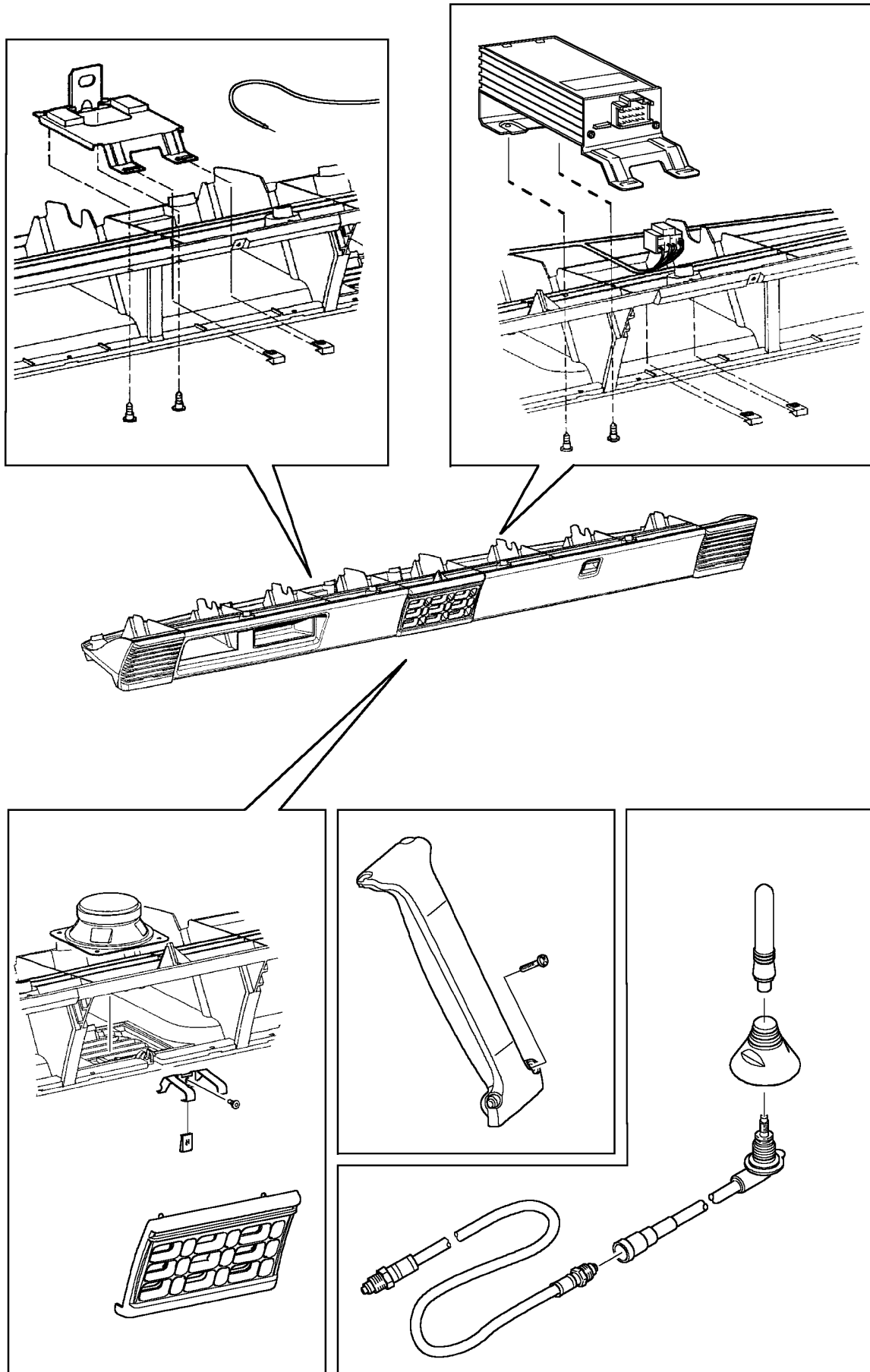
121 466



121 467

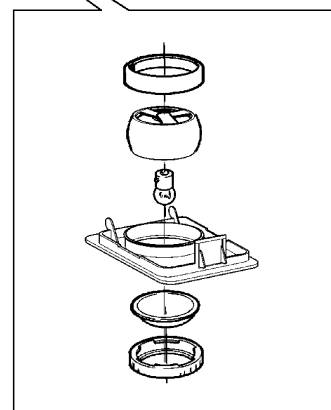
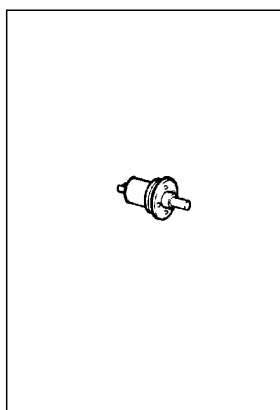
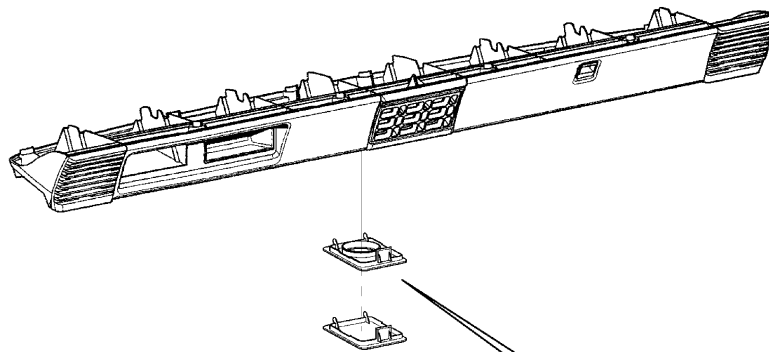
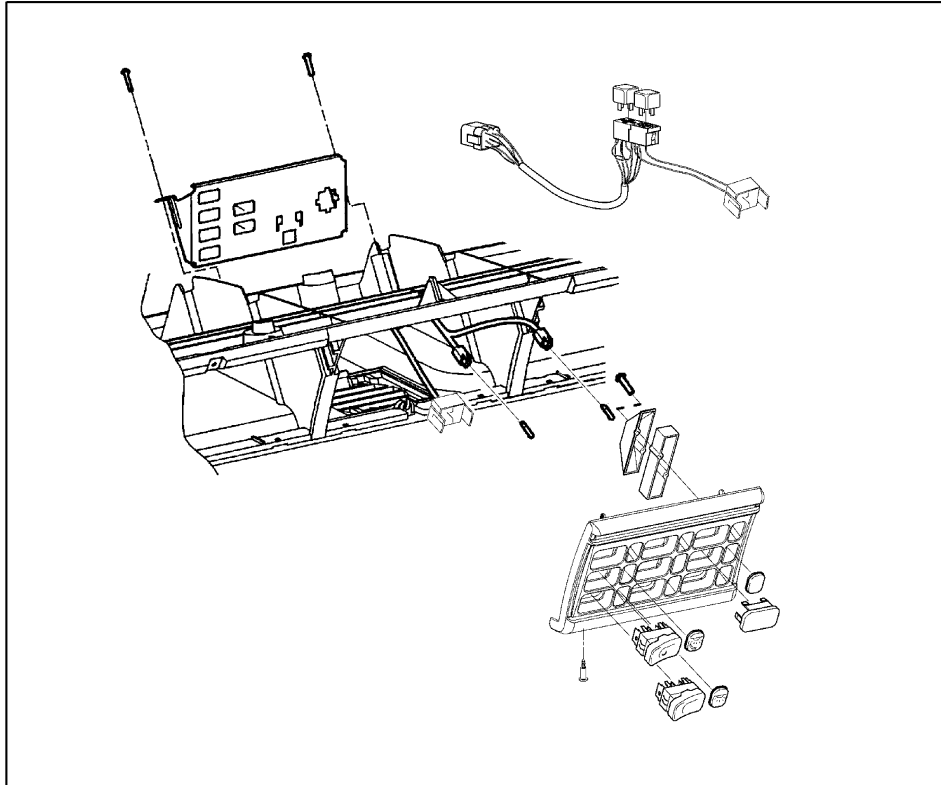


121 469



121 472

# Cab lighting, shelf

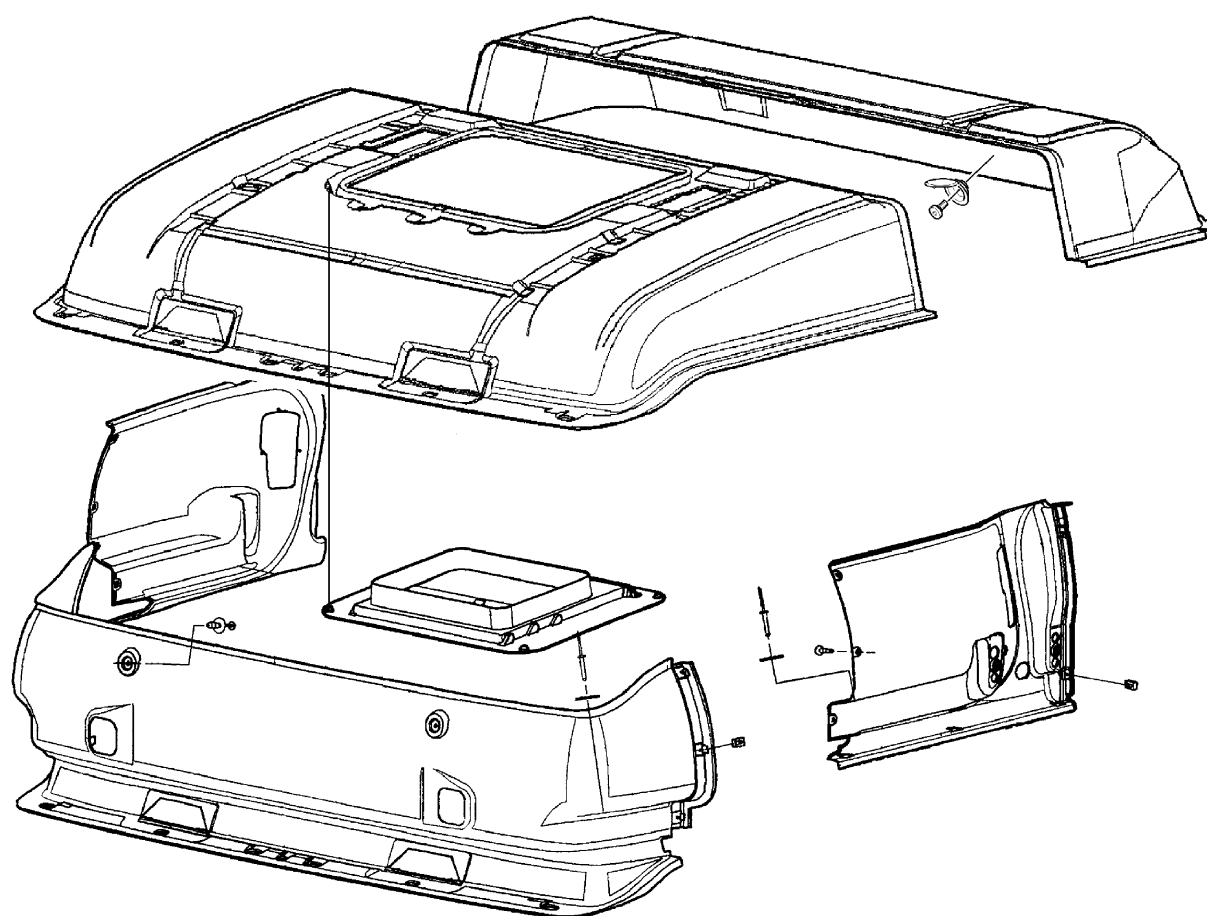


121 476

# Headlining, wall panels

## Headlining

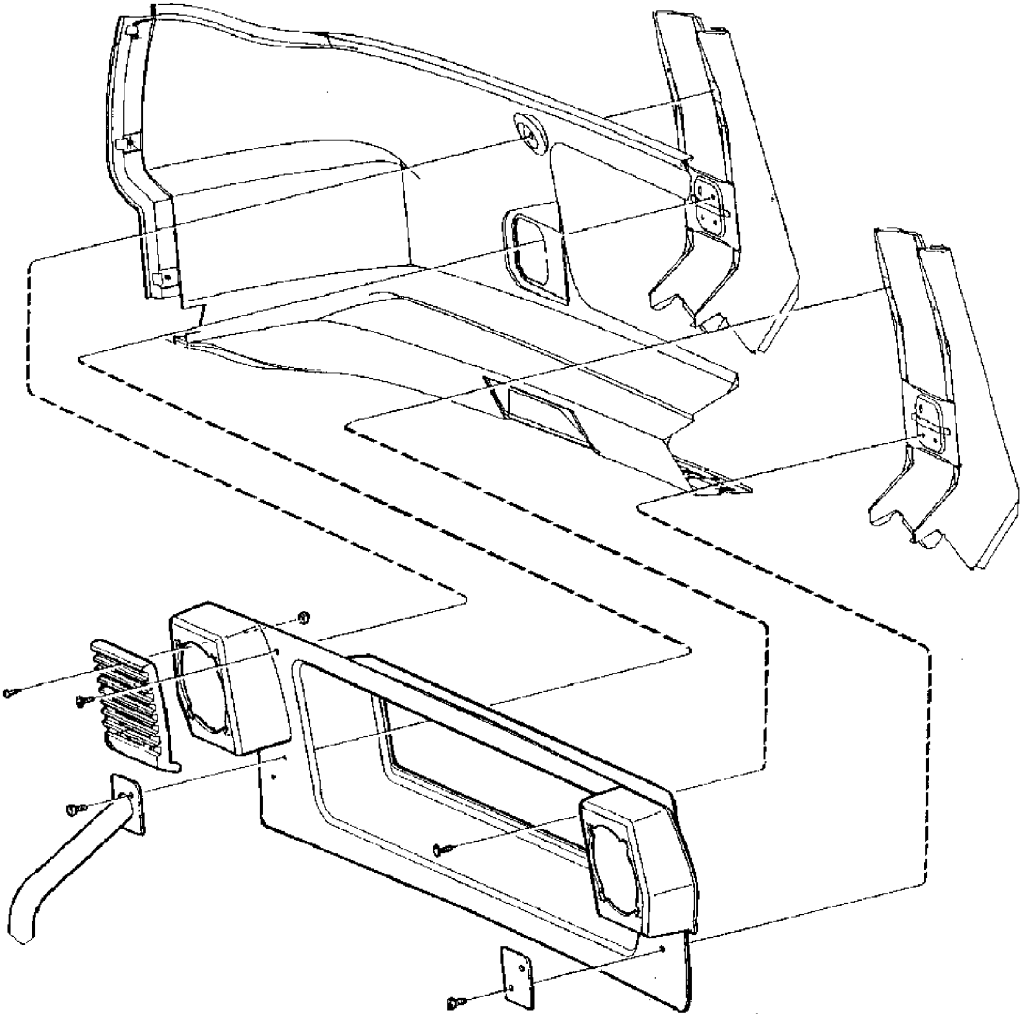
### Topline



121 488

# Headlining, with window

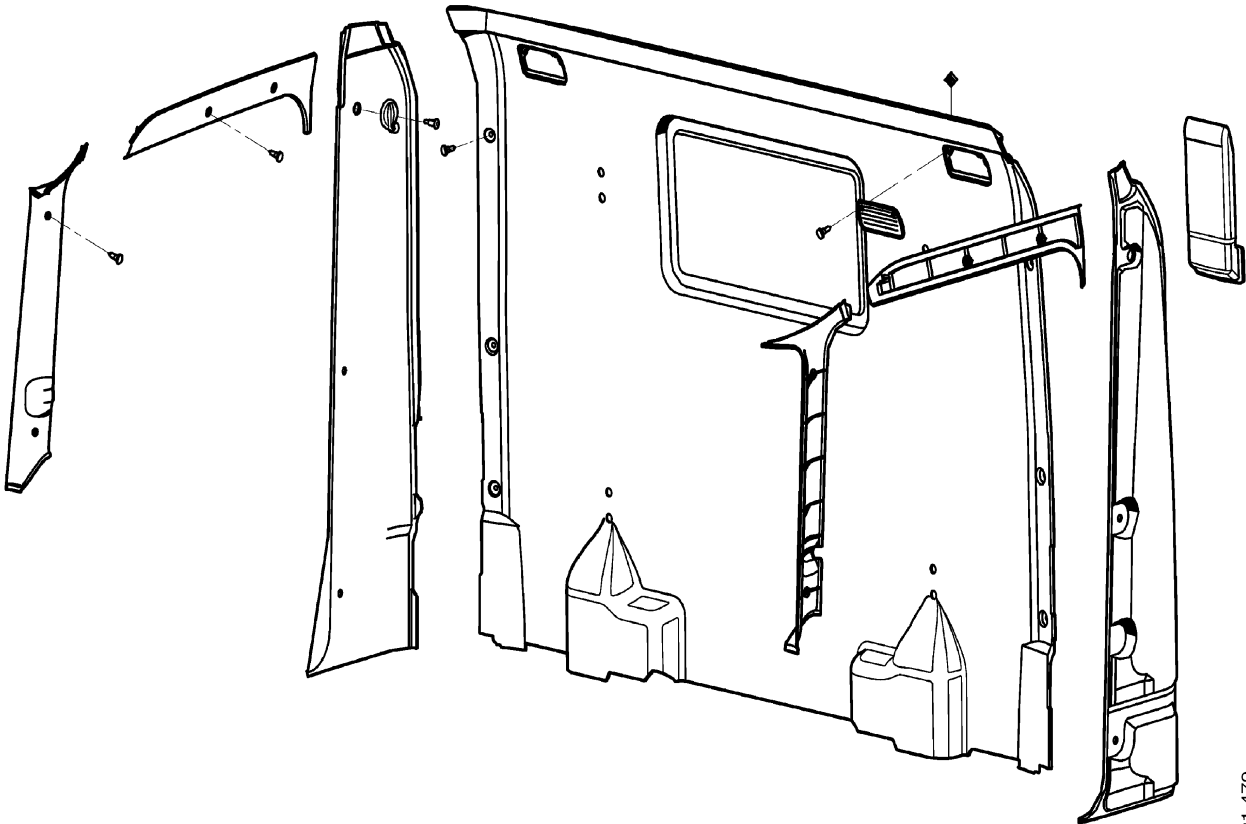
## CP19F Frontline



121 477

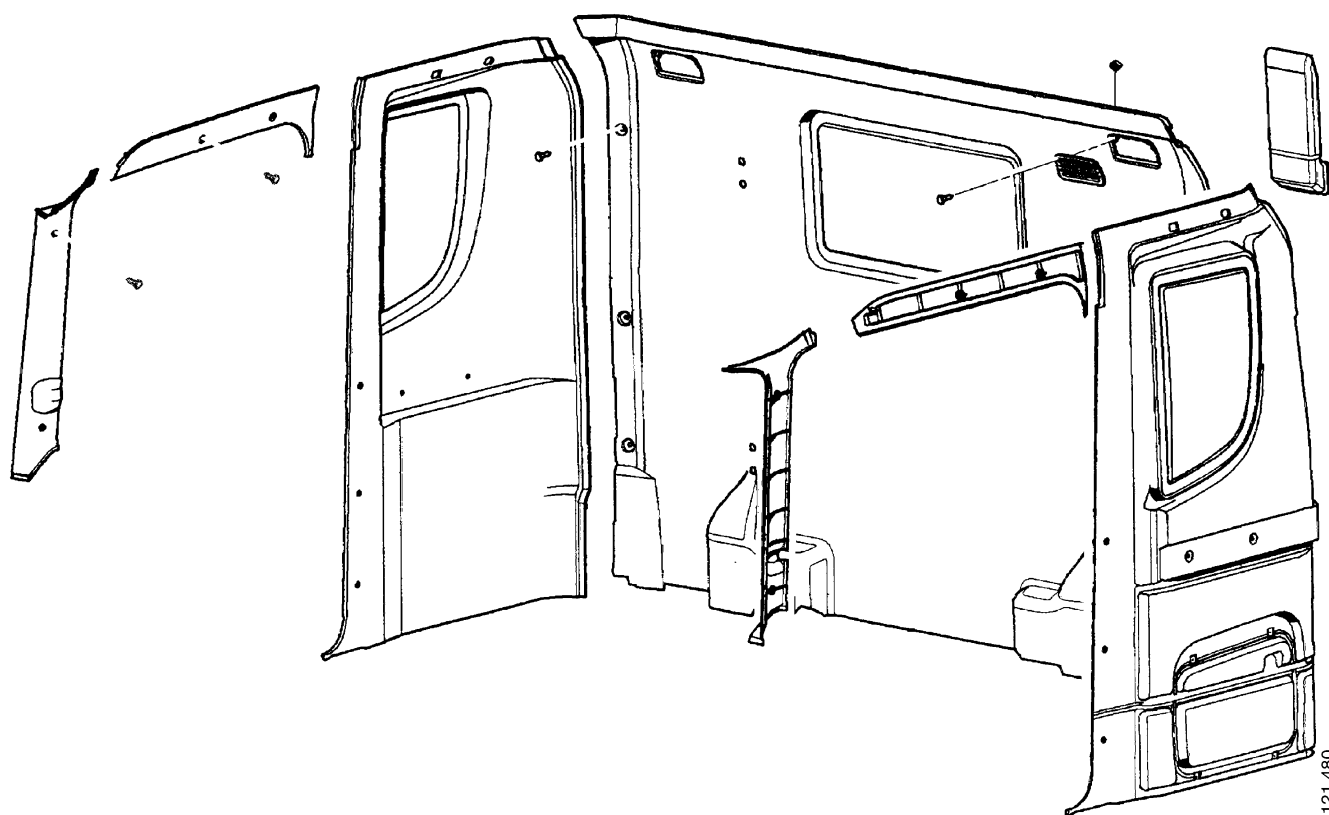
# Wall panels

CR/CT14



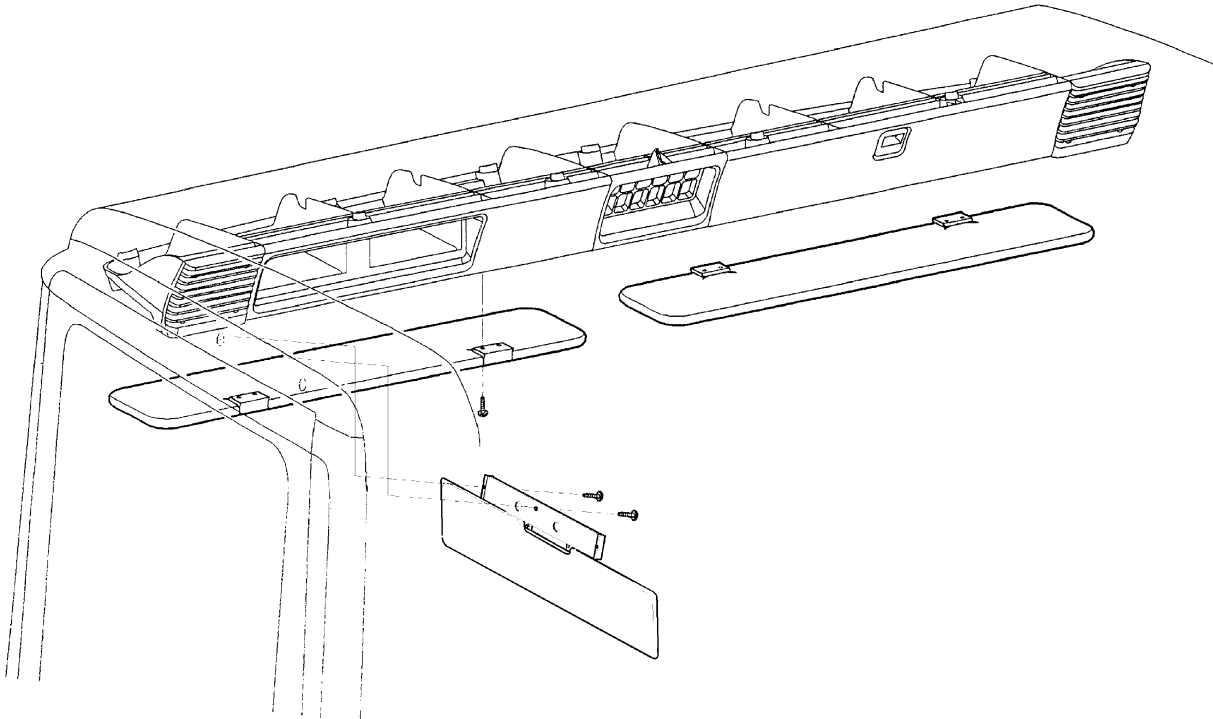
121 479

CR/CT19



121 480

# Sun visor

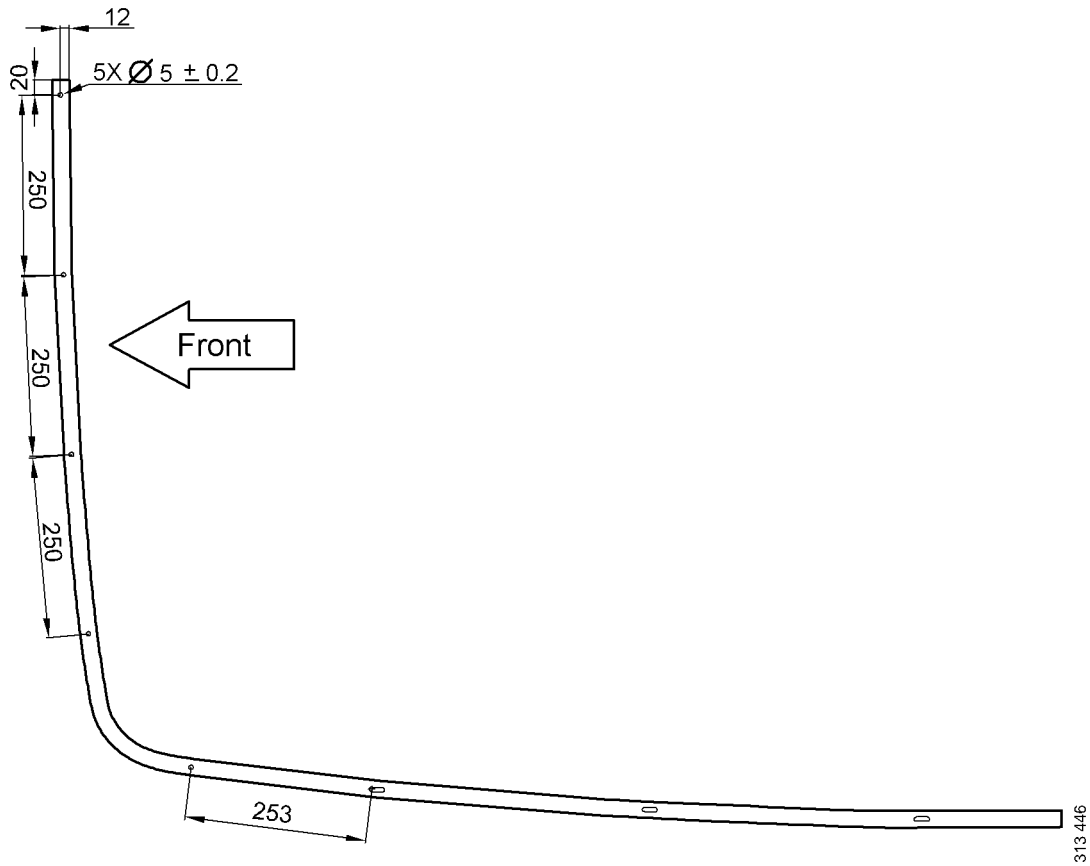


121 481

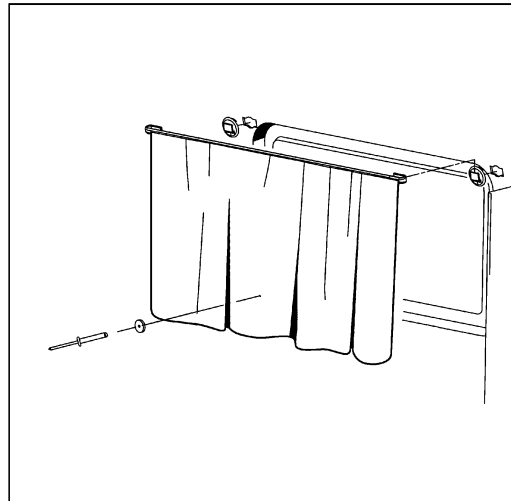
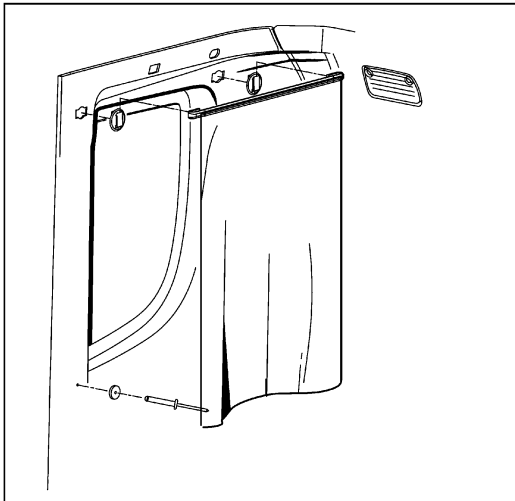
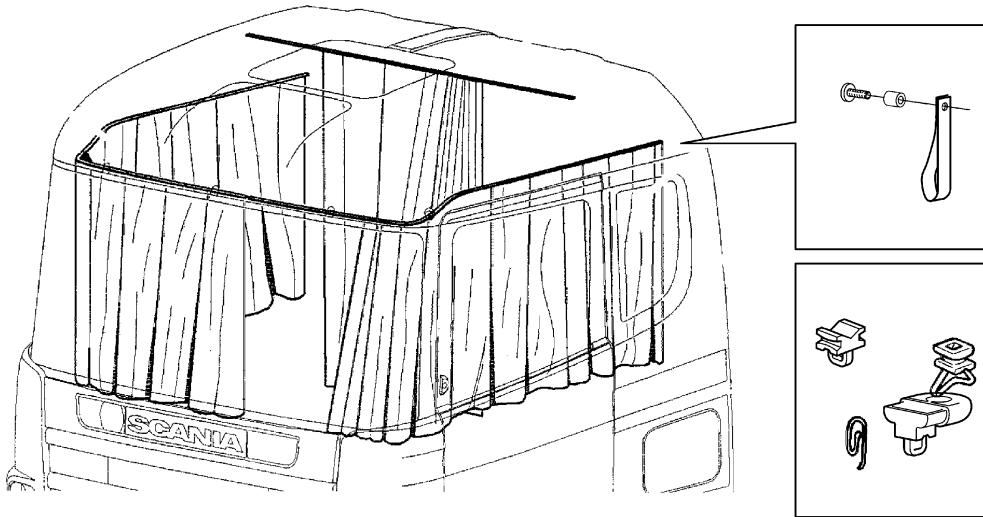
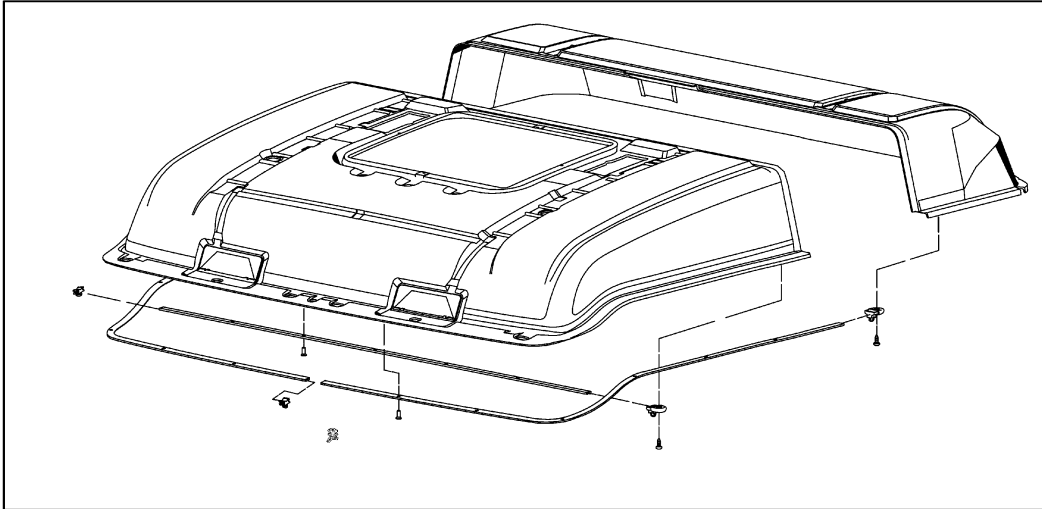
# Curtains

## CP/CR/CT 19, low roof

Drill template



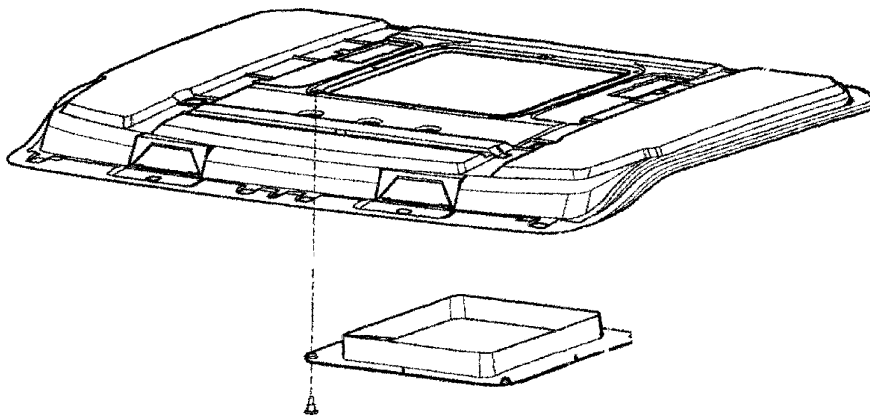
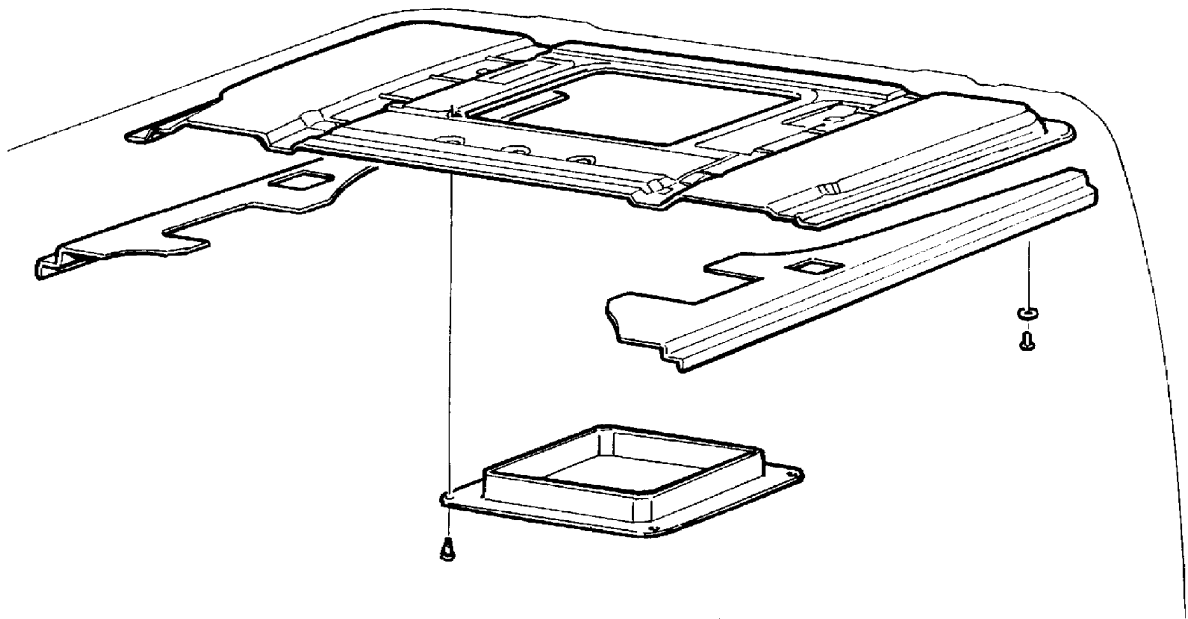
*Drill holes using the template for guidance. The template applies to both the right and left-hand sides.*



121 482

# Headlining

## CREW CAB

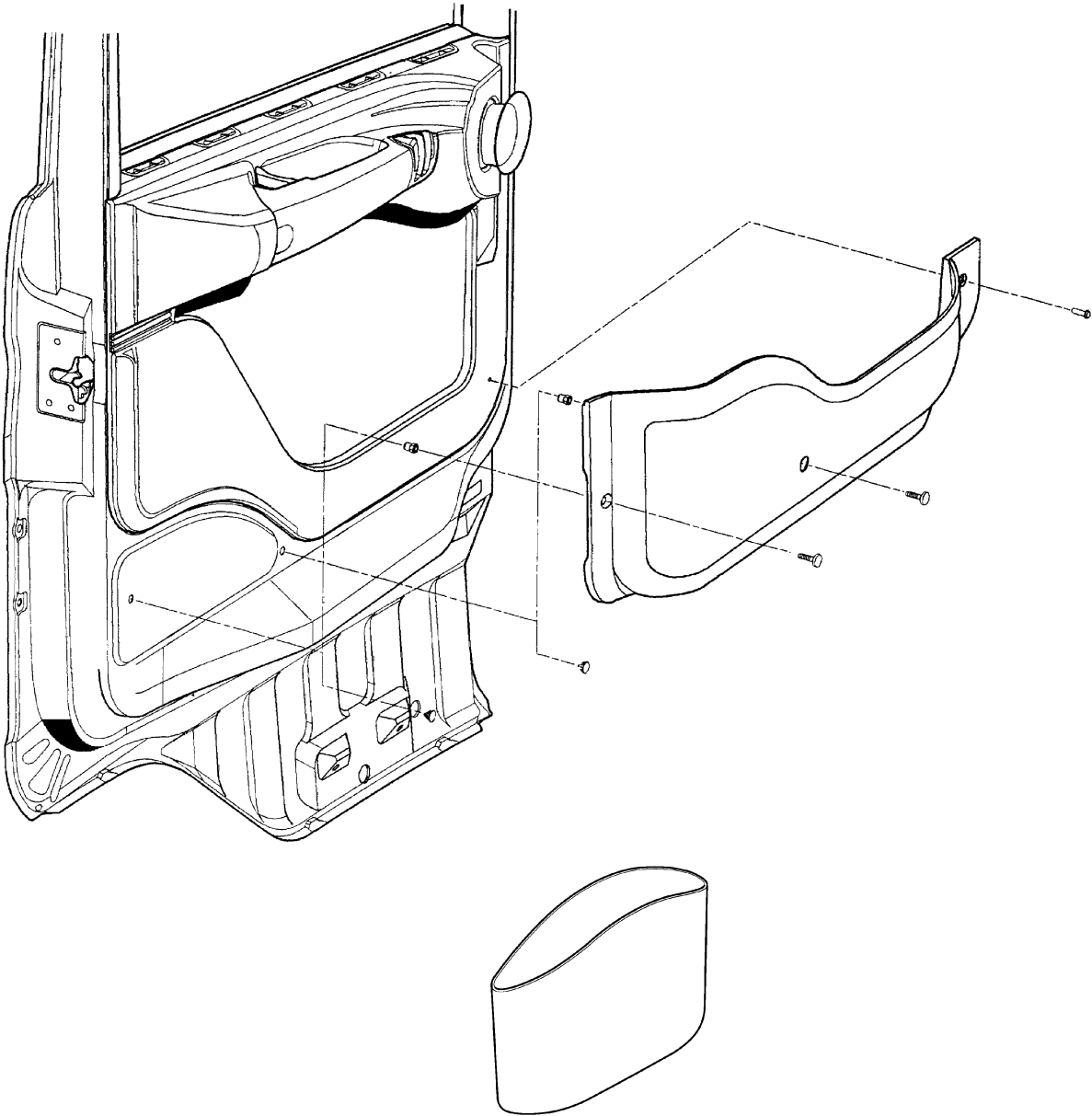


121 483

# Door

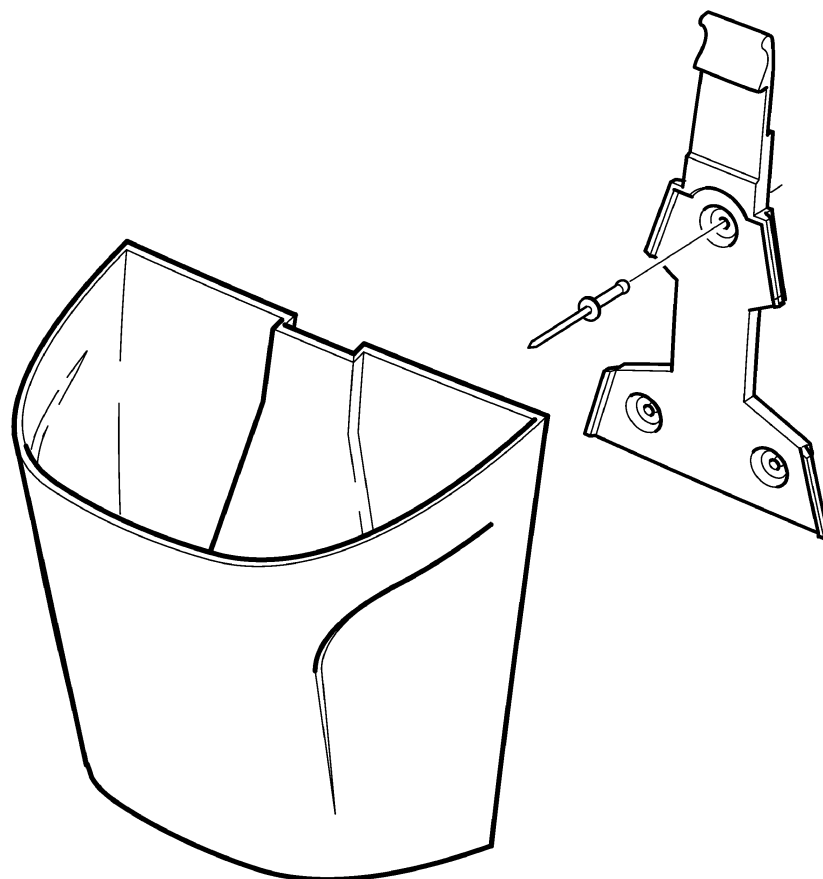
## Storage box, door

CR/CT



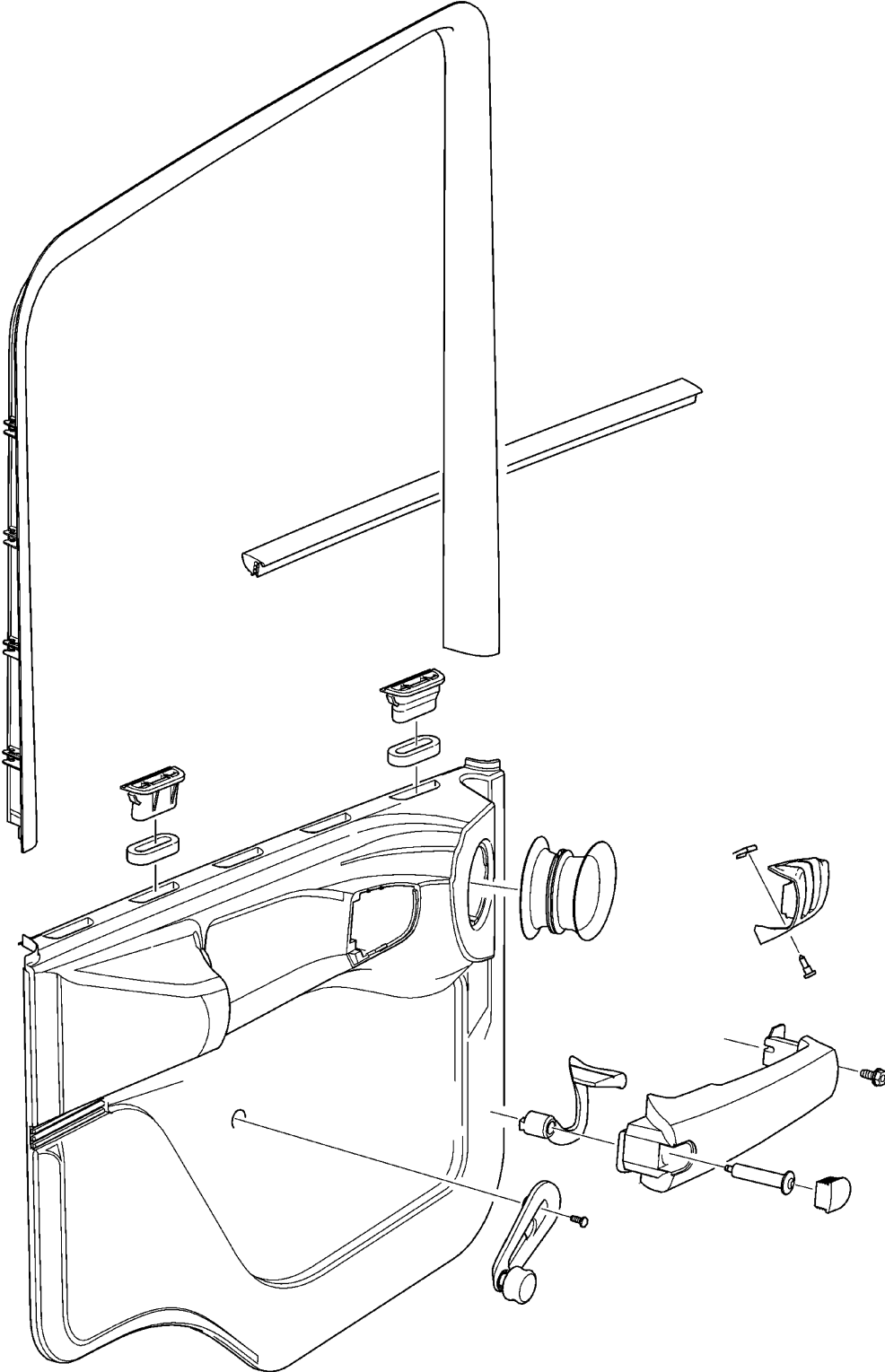
121 484

## Waste paper basket, door



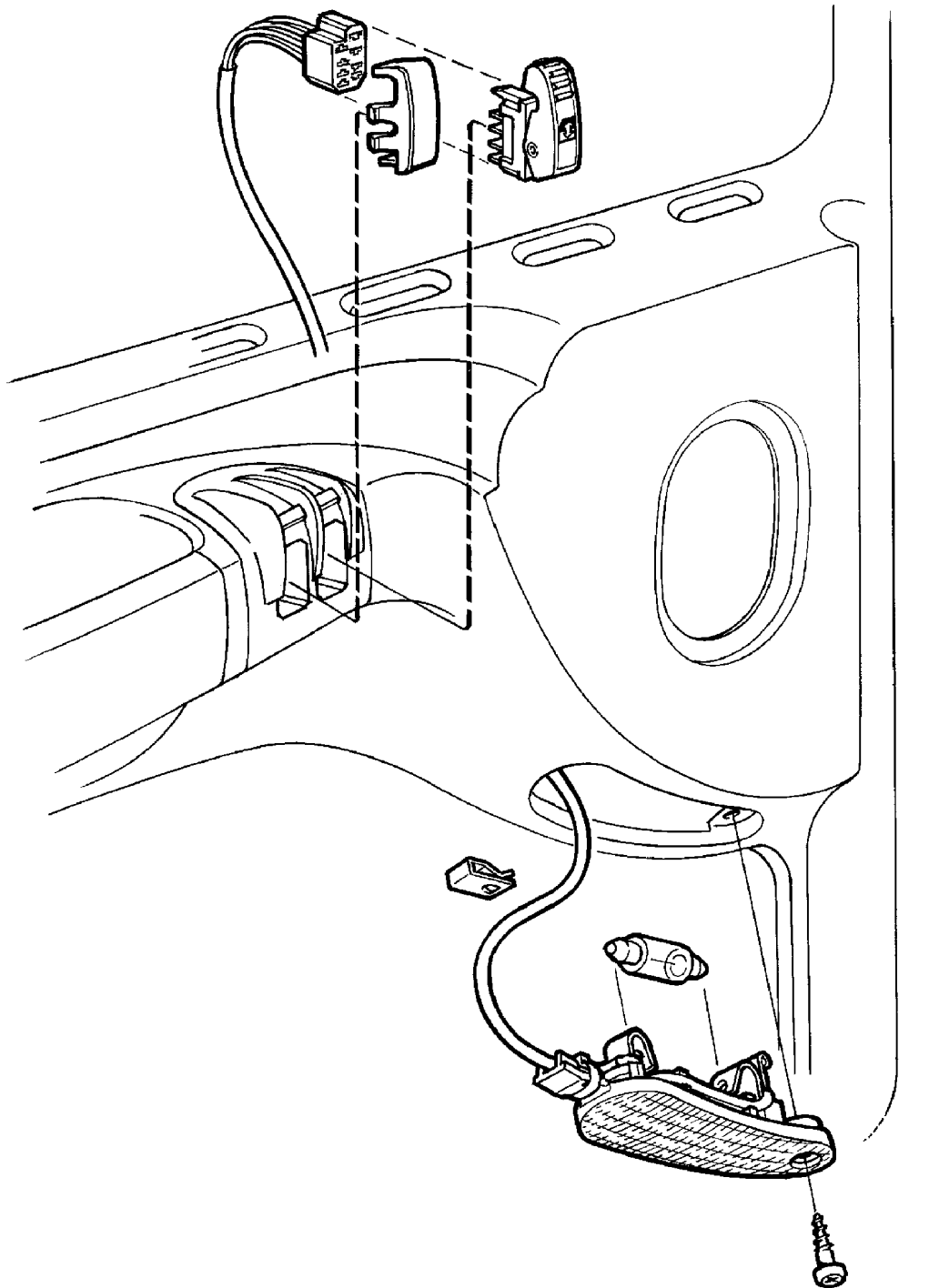
121 485

# Door panel



121 486

## Electrical equipment, door



121 487