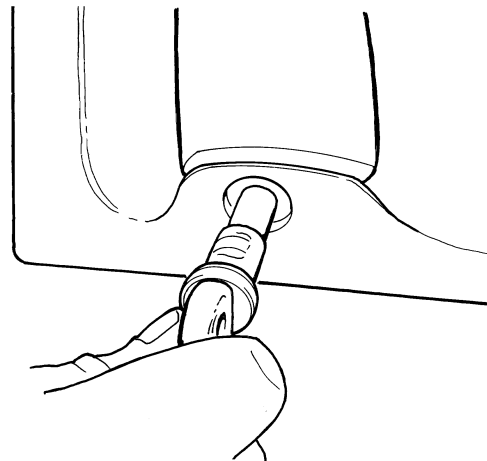


# Lock parts in door handle

**Work description**

**Additional booklet**



## Contents

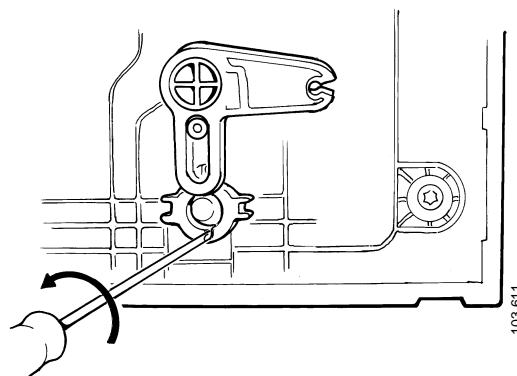
Lock cylinder .....	2
Lock sleeve and lock spring .....	3
Levers .....	4

# Lock parts in door handle

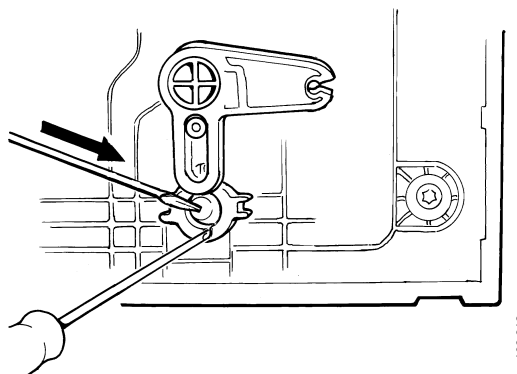
## Lock cylinder

### Removal

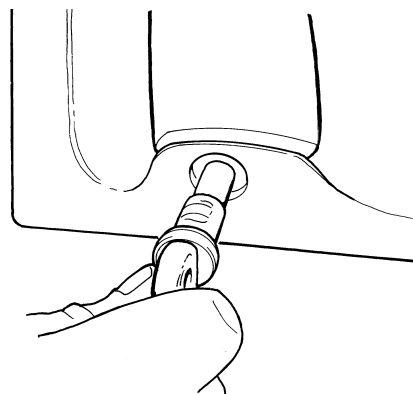
- 1 Remove the door handle from the door.
- 2 Insert the key in the lock.
- 3 Prise apart the lock spring using a screwdriver.



- 4 Press out the lock cylinder.



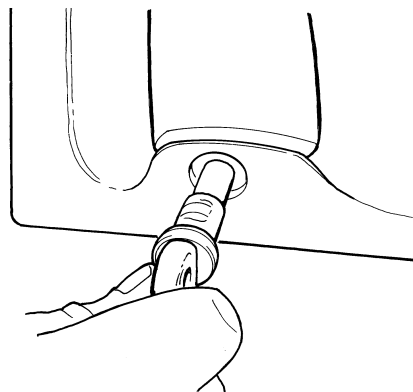
- 5 Extract the lock cylinder.



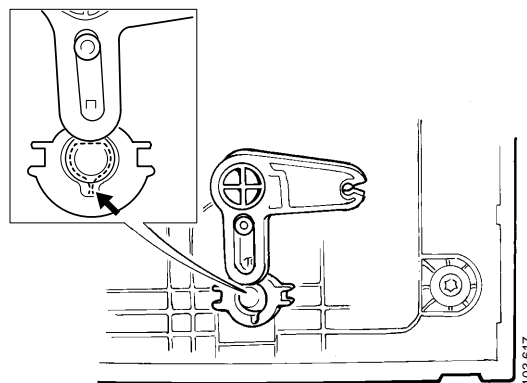
## Fitting

- 1 Insert the key in the new lock cylinder and press in the cylinder.

**Note:** The key must remain in the cylinder until the cylinder is refitted in the handle to prevent claws and springs falling out.



**Note:** Check that the lock spring secures the cylinder.



## Lock sleeve and lock spring

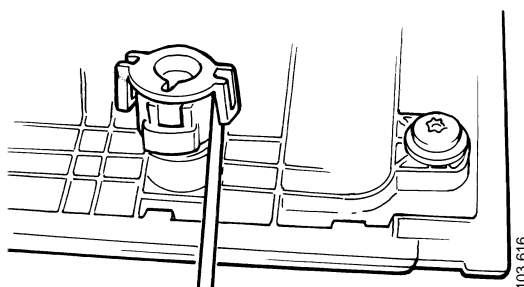
- 1 Remove the lock cylinder as described under "Changing the lock cylinder".

**Note:** The key must remain in the cylinder until the cylinder is refitted in the handle to prevent claws and springs falling out.

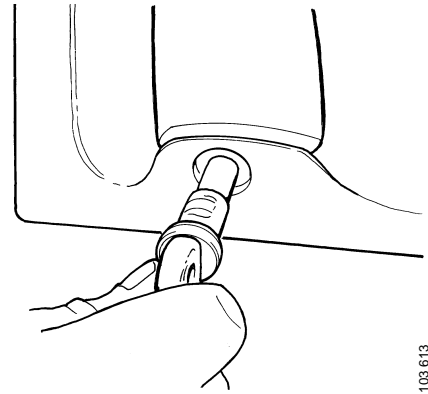
- 2 Bend out the plastic edges so that the lock sleeve loosens.

**Note:** Take care not to break off the plastic edges.

- 3 Place the new lock spring in the new lock sleeve.
- 4 Press on the lock sleeve. Make sure that the plastic edges engage in their seats.

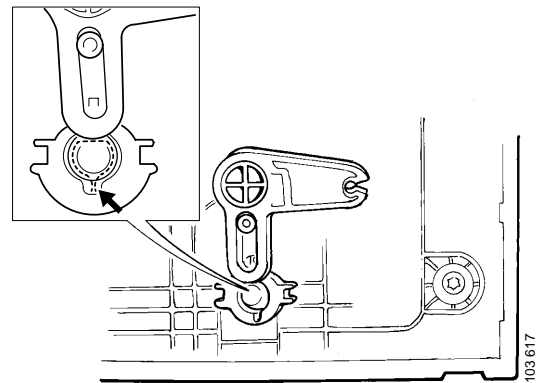


- 5 Press in the cylinder.



103 613

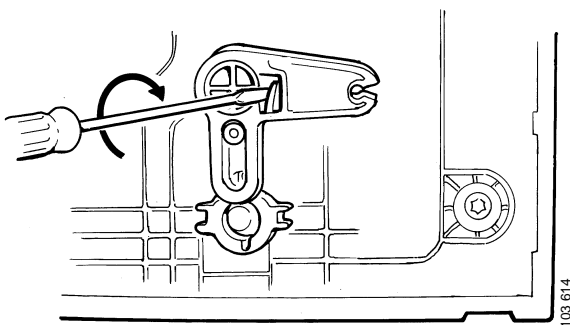
**Note:** Check that the lock spring secures the cylinder.



103 617

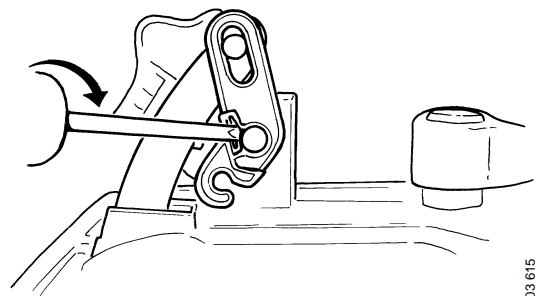
## Levers

- 1 Bend away the locking lug using a screwdriver. Lift the lever.
- 2 Press in the new lever.



103 614

*Lever for key function*



103 615

*Lever for door opening*